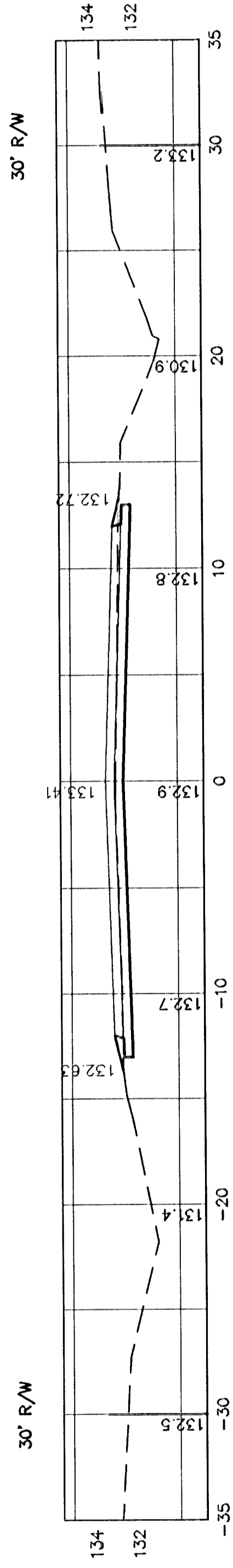


Cut Area: 12.80 ft<sup>2</sup>  
Fill Area: 0.75 ft<sup>2</sup>

22+50

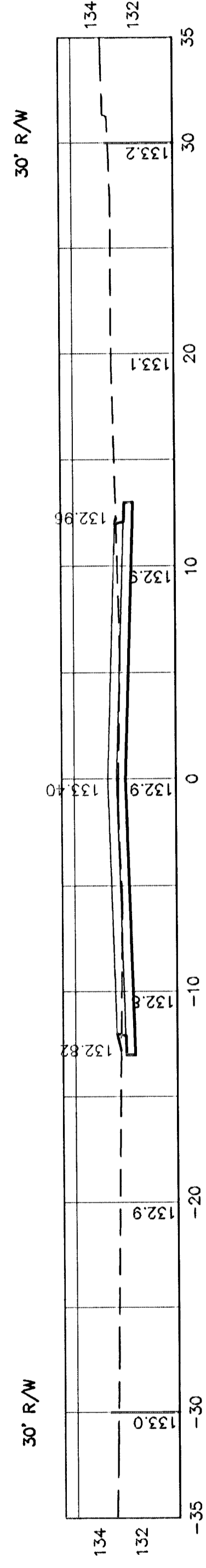
Cut Volume: 57.9 yds  
Fill Volume: 23.7 yds



Cut Area: 11.16 ft<sup>2</sup>  
Fill Area: 0.46 ft<sup>2</sup>

22+00

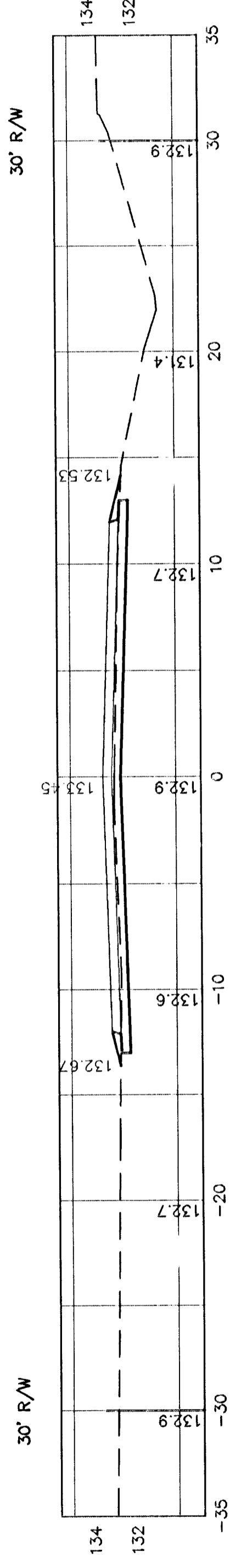
Cut Volume: 35.7 yds  
Fill Volume: 22.6 yds



Cut Area: 6.89 ft<sup>2</sup>  
Fill Area: 0.89 ft<sup>2</sup>

21+60

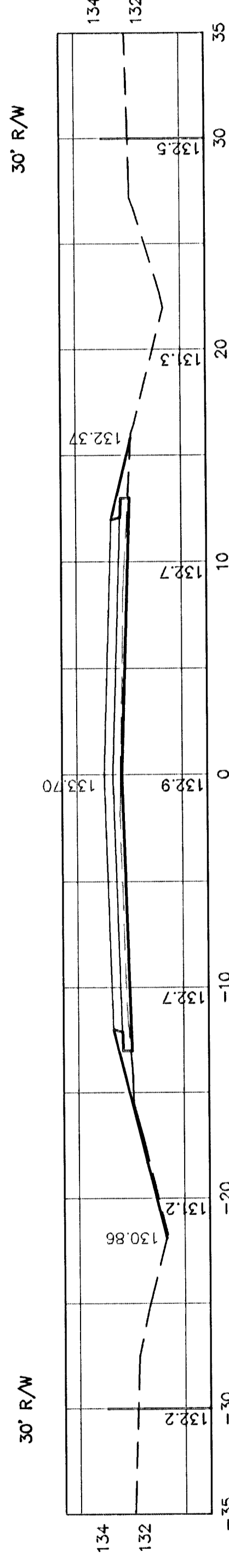
Cut Volume: 22.8 yds  
Fill Volume: 22.2 yds



Cut Area: 9.12 ft<sup>2</sup>  
Fill Area: 0.75 ft<sup>2</sup>

21+50

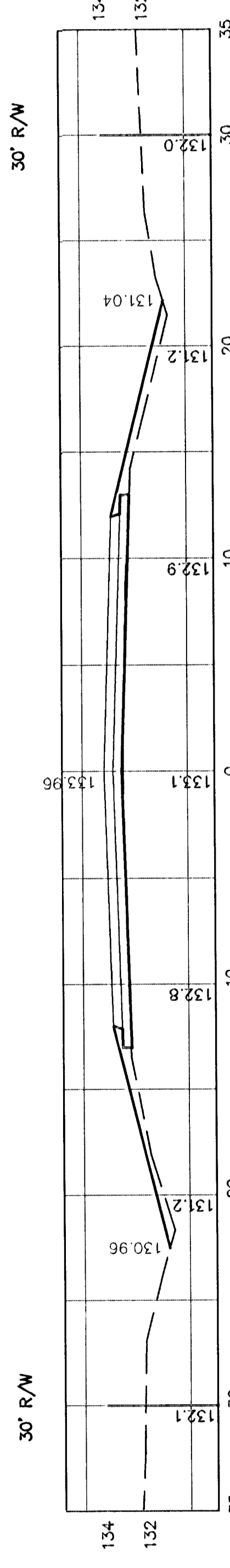
Cut Volume: 19.9 yds  
Fill Volume: 22.0 yds



Cut Area: 3.46 ft<sup>2</sup>  
Fill Area: 2.83 ft<sup>2</sup>

21+00

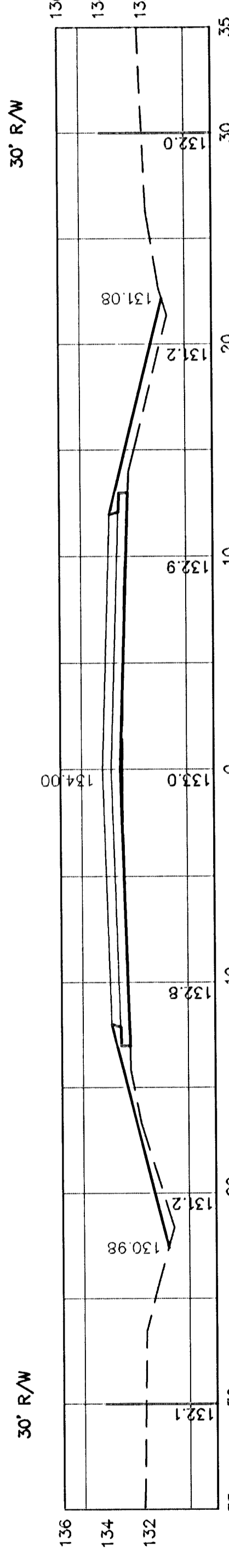
Cut Volume: 8.3 yds  
Fill Volume: 18.7 yds



Cut Area: 0.57 ft<sup>2</sup>  
Fill Area: 7.66 ft<sup>2</sup>

20+50

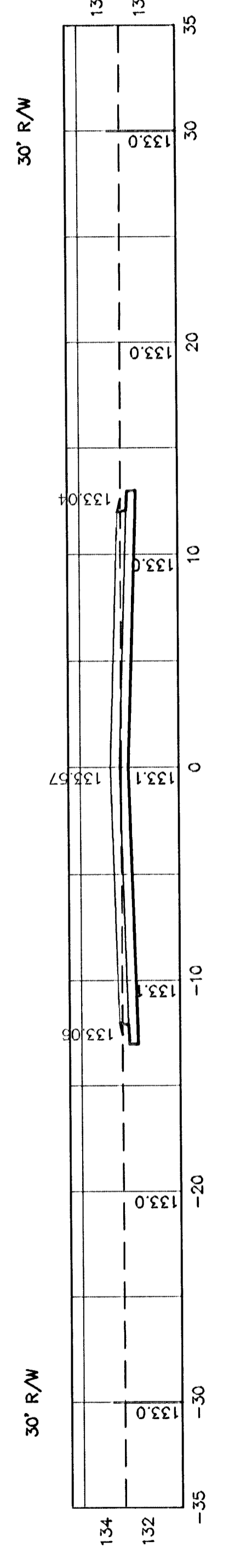
Cut Volume: 4.6 yds  
Fill Volume: 9.0 yds



Cut Area: 0.25 ft<sup>2</sup>  
Fill Area: 8.41 ft<sup>2</sup>

20+42


Cut Volume: 4.5 yds  
Fill Volume: 6.6 yds



Cut Area: 5.48 ft<sup>2</sup>  
Fill Area: 0.08 ft<sup>2</sup>

20+00

Cut Volume: 0.0 yds  
Fill Volume: 0.0 yds

CED PROJ. NO.: 20030988	
<b>CERTIFIED ENGINEERING DESIGN, P.A.</b>	
	810 WEST DOUGLAS, SUITE C
	WICHITA, KANSAS 67203
	PH: (316) 262-8808
	FAX: (316) 262-1669
SHEET	27
TOTAL	43