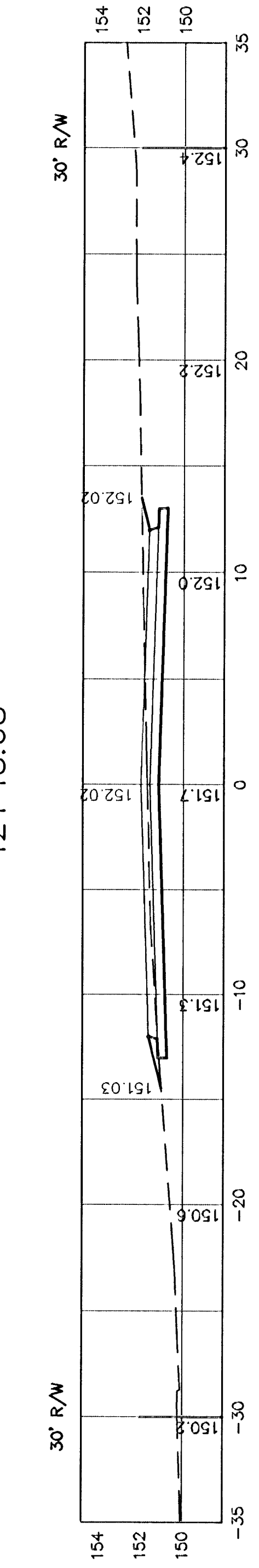
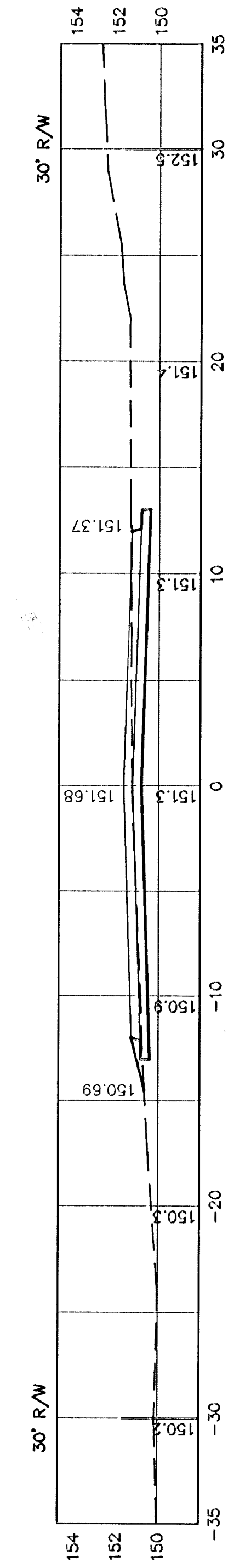


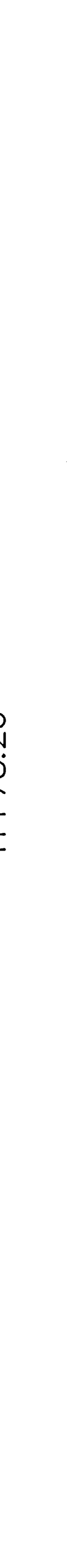
42+43.68



42+00



41+78.26



Cut Volume: 429.8 yds
Fill Volume: 67.4 yds

ICED	CED PROJ. NO.: 20030988	
	CERTIFIED ENGINEERING DESIGN, P.A.	
	810 WEST DOUGLAS, SUITE C WICHITA, KANSAS 67203 PH: (316) 262-8808 FAX: (316) 262-1669	SHEET 33 TOTAL 43