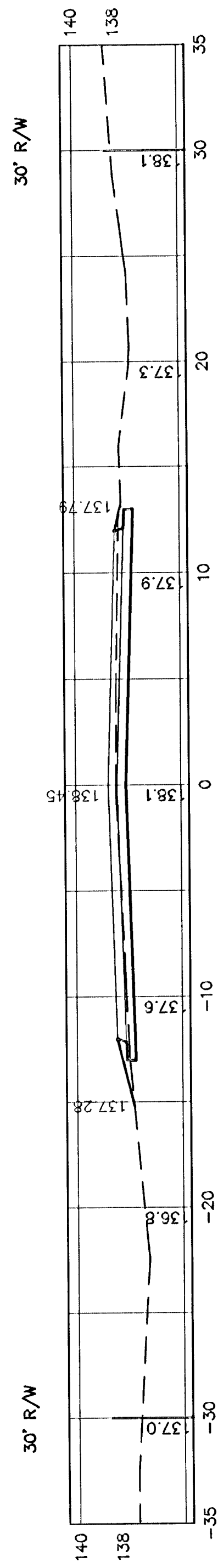


Cut Area: 13.67 ft²
Fill Area: 0.61 ft²

73+42.80

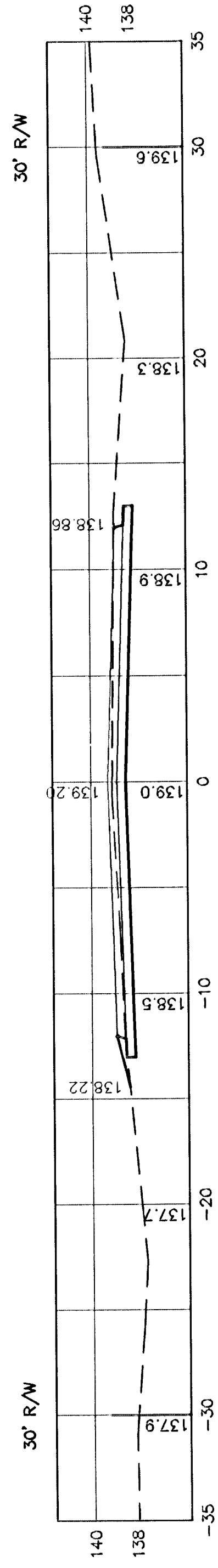
Cut Volume: 137.7 yds
Fill Volume: 10.9 yds



Cut Area: 12.38 ft²
Fill Area: 0.75 ft²

73+00

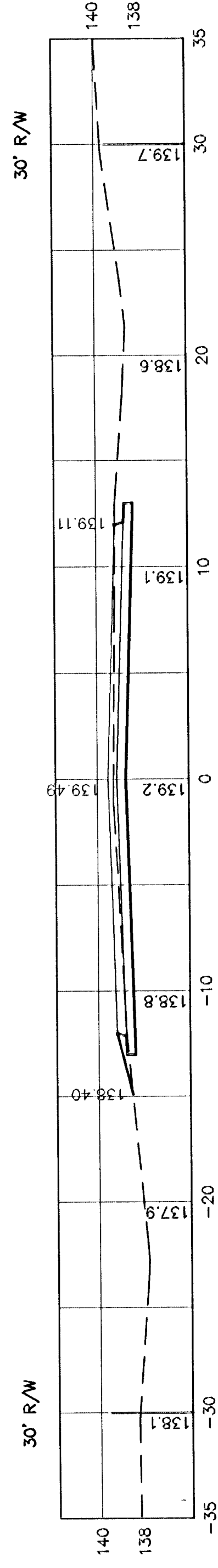
Cut Volume: 117.0 yds
Fill Volume: 9.8 yds



Cut Area: 12.63 ft²
Fill Area: 0.45 ft²

72+60

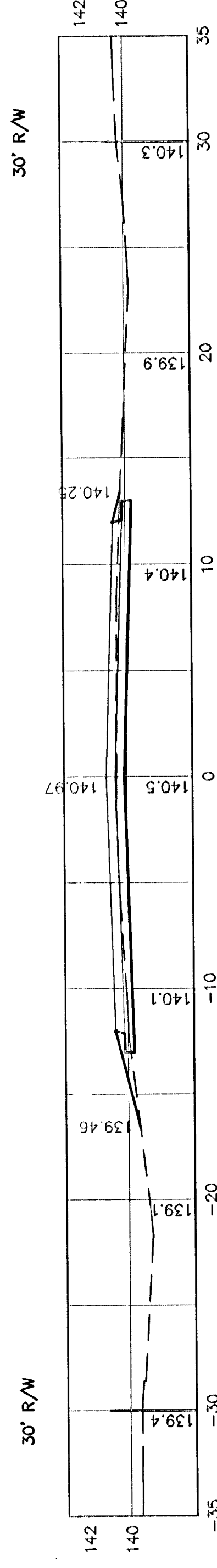
Cut Volume: 98.5 yds
Fill Volume: 8.9 yds



Cut Area: 14.81 ft²
Fill Area: 0.57 ft²

72+50

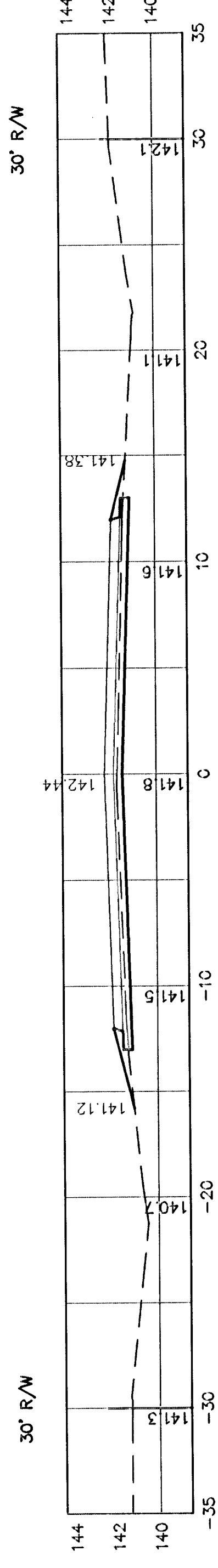
Cut Volume: 93.4 yds
Fill Volume: 5.7 yds



Cut Area: 10.84 ft²
Fill Area: 1.51 ft²

72+00

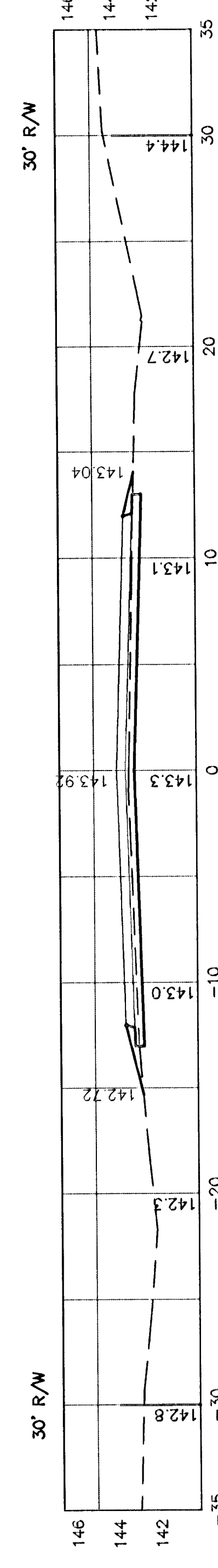
Cut Volume: 69.7 yds
Fill Volume: 7.0 yds



Cut Area: 6.64 ft²
Fill Area: 1.45 ft²

71+50

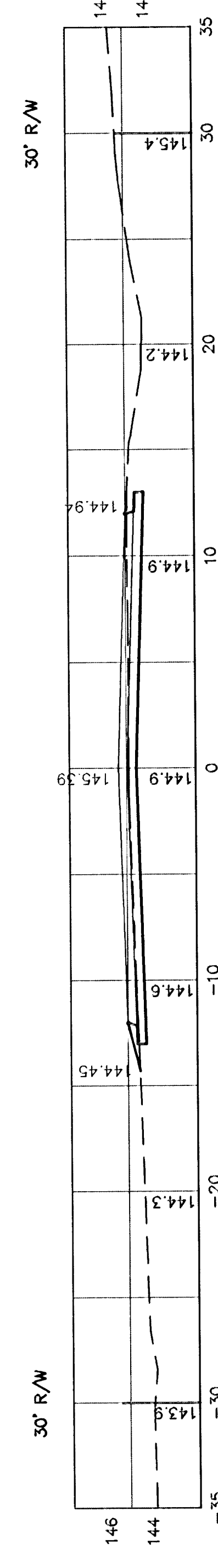
Cut Volume: 53.5 yds
Fill Volume: 4.4 yds



Cut Area: 7.63 ft²
Fill Area: 1.14 ft²

71+00

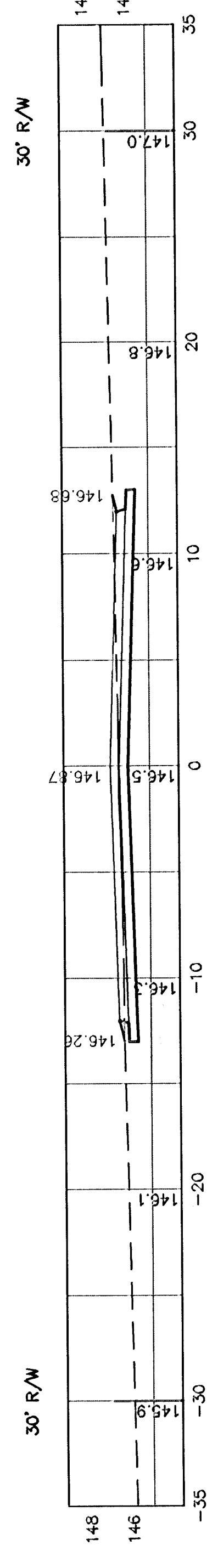
Cut Volume: 40.2 yds
Fill Volume: 2.0 yds



Cut Area: 11.66 ft²
Fill Area: 0.48 ft²

70+50

Cut Volume: 22.4 yds
Fill Volume: 0.5 yds



Cut Area: 12.51 ft²
Fill Area: 0.10 ft²

70+00

Cut Volume: 0.0 yds
Fill Volume: 0.0 yds