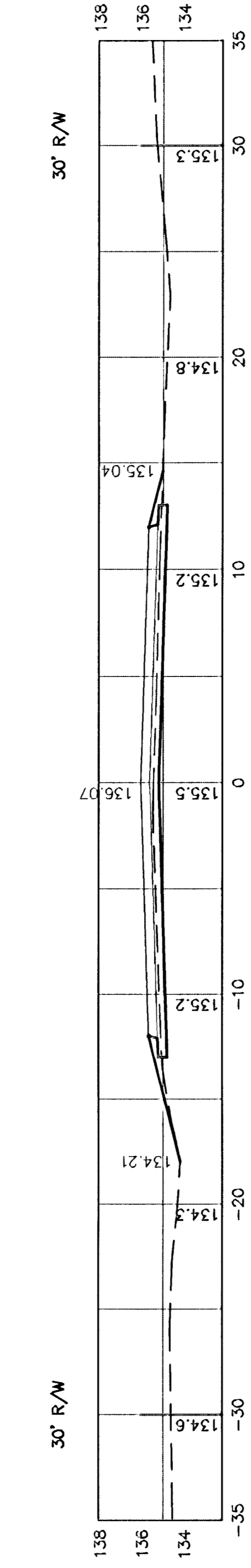


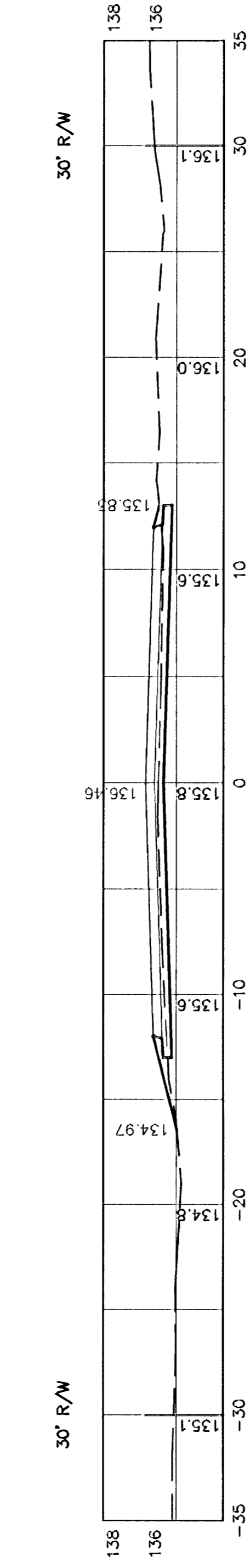
Cut Area: 7.71 ft²
Fill Area: 1.84 ft²

87+16.54



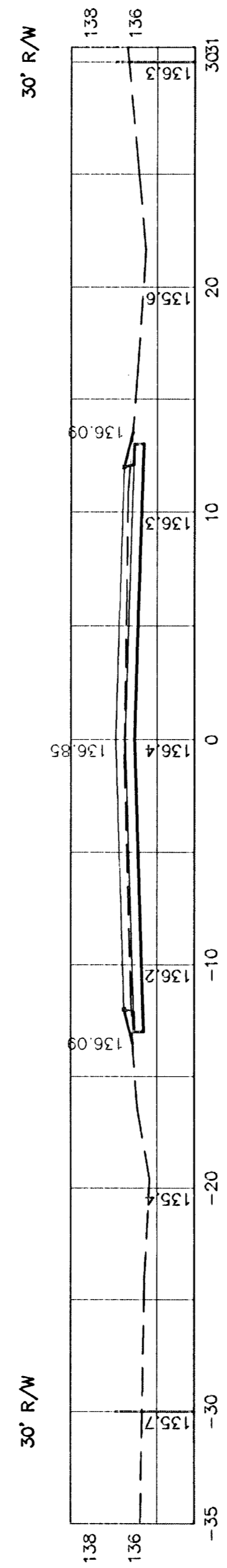
Cut Volume: 249.8 yds
Fill Volume: 23.1 yds

87+00



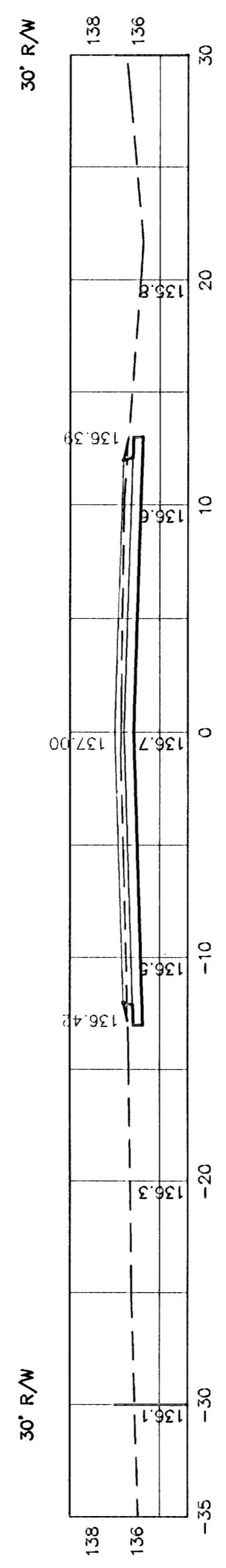
Cut Volume: 245.4 yds
Fill Volume: 22.1 yds

86+50



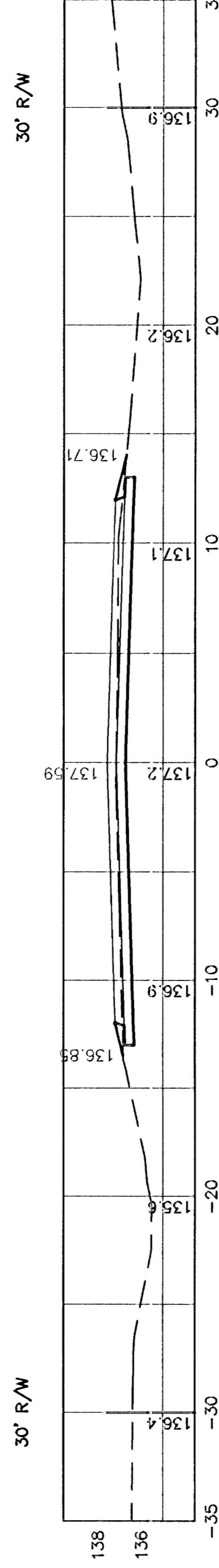
Cut Area: 13.34 ft²
Fill Area: 0.43 ft²

86+00



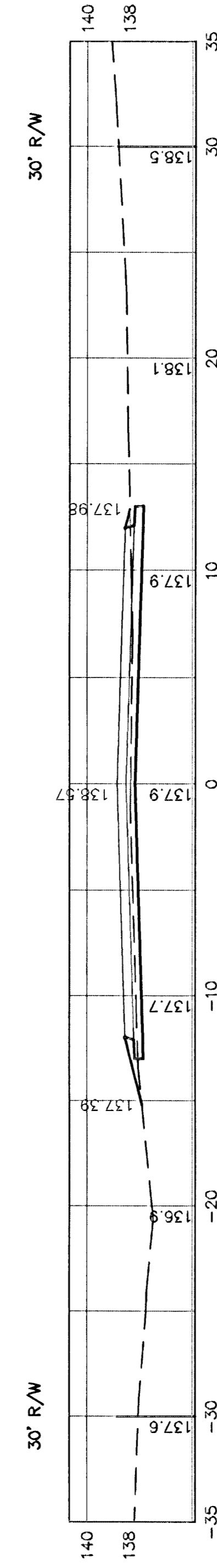
Cut Volume: 212.8 yds
Fill Volume: 18.2 yds

85+80



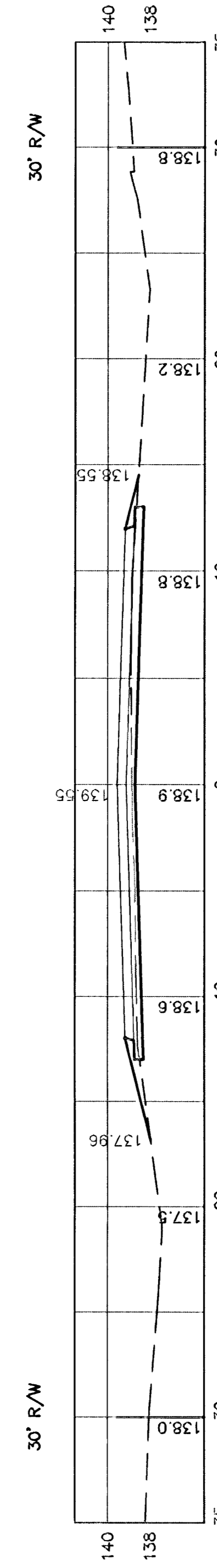
Cut Area: 12.92 ft²
Fill Area: 0.53 ft²

85+50



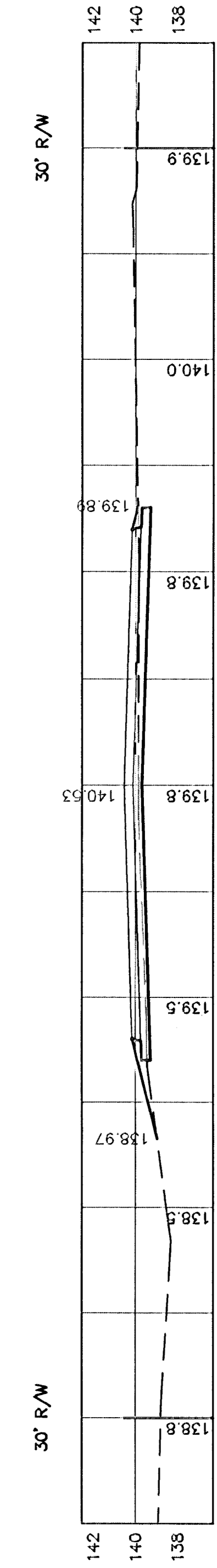
Cut Volume: 191.8 yds
Fill Volume: 17.6 yds

85+00



Cut Volume: 172.5 yds
Fill Volume: 16.4 yds

84+50



Cut Volume: 158.9 yds
Fill Volume: 14.2 yds

Cut Area: 6.61 ft²
Fill Area: 1.26 ft²

84+00

Cut Volume: 146.5 yds
Fill Volume: 11.5 yds

CED PROJ. NO.: 20030988

CERTIFIED ENGINEERING DESIGN, P.A.



810 WEST DOUGLAS, SUITE C
WICHITA, KANSAS 67203
PH: (316) 262-8808
FAX: (316) 262-1669

SHEET	42
TOTAL	43