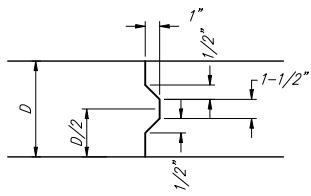
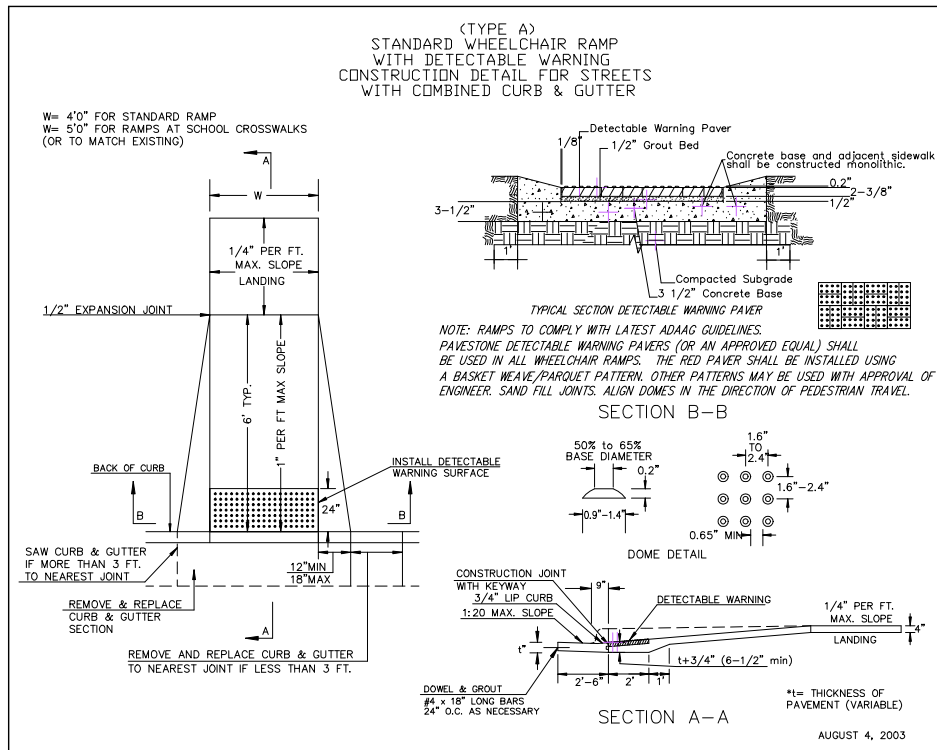


EXPANSION JOINT

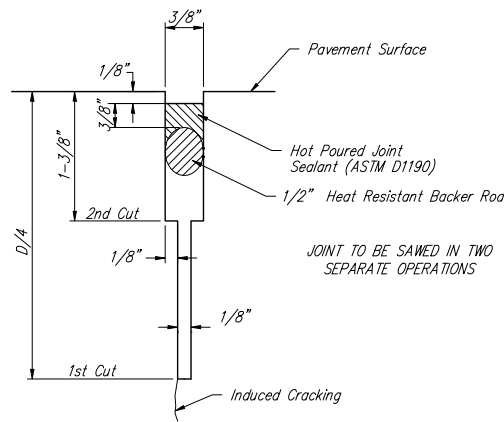
NOTE: Extra Thickness to be Subsidiary to Price of Square Yards Pavement



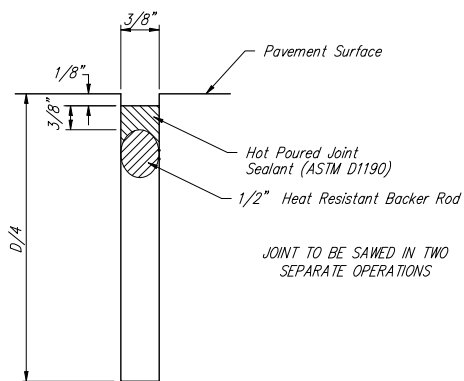
KEYWAY DETAIL



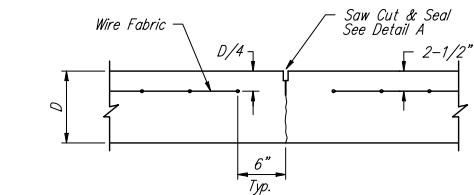
WHEELCHAIR RAMP DETAIL



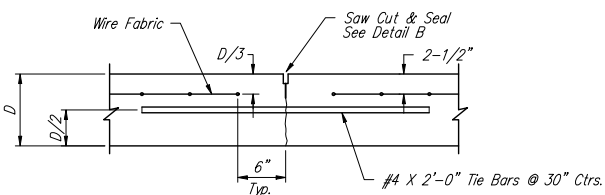
SAW JOINT DETAIL "A"



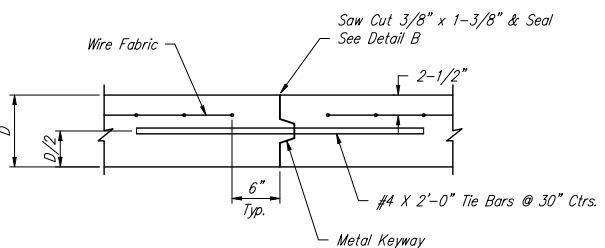
SAW JOINT DETAIL "B"



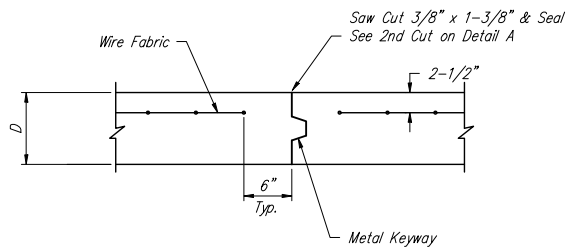
CONTRACTION JOINT DETAIL (C.J.)



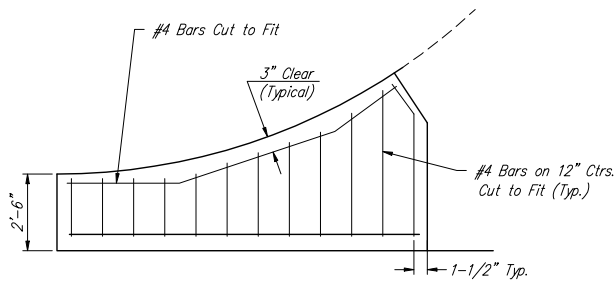
LONGITUDINAL JOINT DETAIL (L.J.)



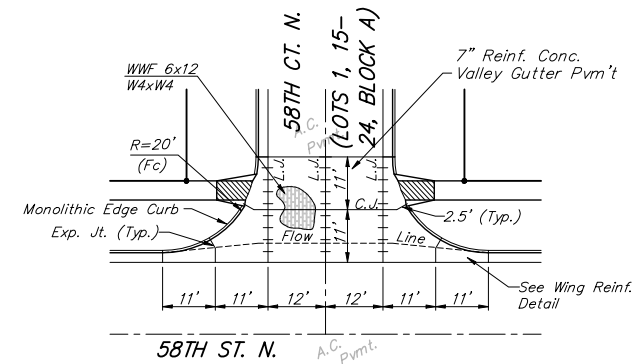
OPTIONAL LONGITUDINAL JOINT DETAIL (L.J.) (CONSTRUCTION JOINT)



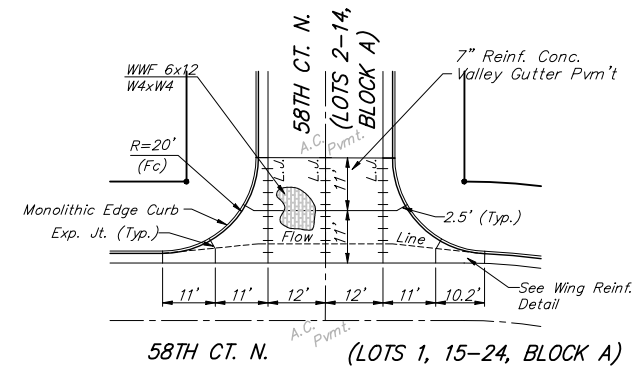
OPTIONAL CONTRACTION JOINT (CONSTRUCTION JOINT)



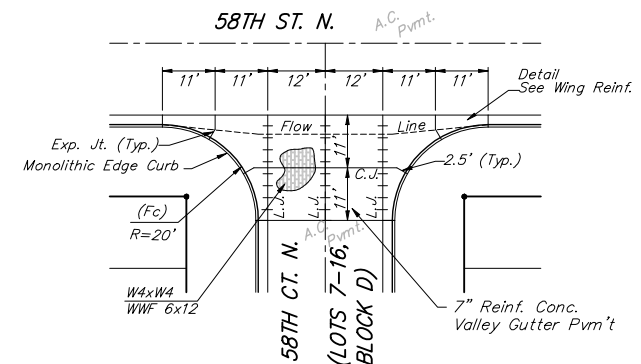
WING REINFORCING DETAIL



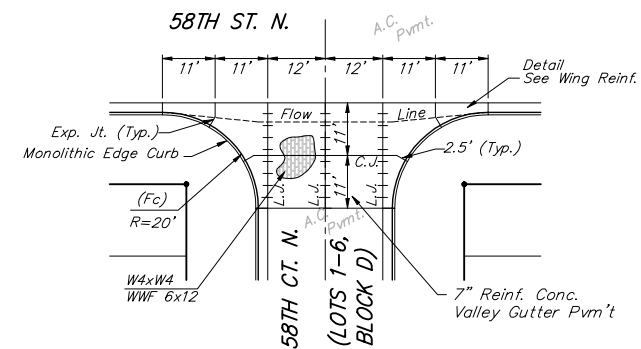
Scale: 1" = 20'



Scale: 1" = 20'



Scale: 1" = 20'



Scale: 1" = 20'

NOTE: 6" X 12" W4XW4 Wire Fabric Reinforcing Shall Be Placed So That The Wires With The 6" Spacing Will Run Parallel With The Longitudinal Joints.

		Northgate Addition - Phase 1	
		VALLEY GUTTER DETAILS	
Baughman Company, P.A. 315 8th St. W. W. Minn. 55 07111 P 3162627271 F 3162620149			
ENGINEERING SURVEYING PLANNING LANDSCAPE ARCHITECTURE			
PROJECT NUMBER 472-84465	DESIGN STAFF	DRAWN STAFF	
REVISIONS:	APPROVED	DATE	
		5-30-07	
	SCALE NONE		
	SHEET	5 OF 49	
/VO_Detail.dwg			