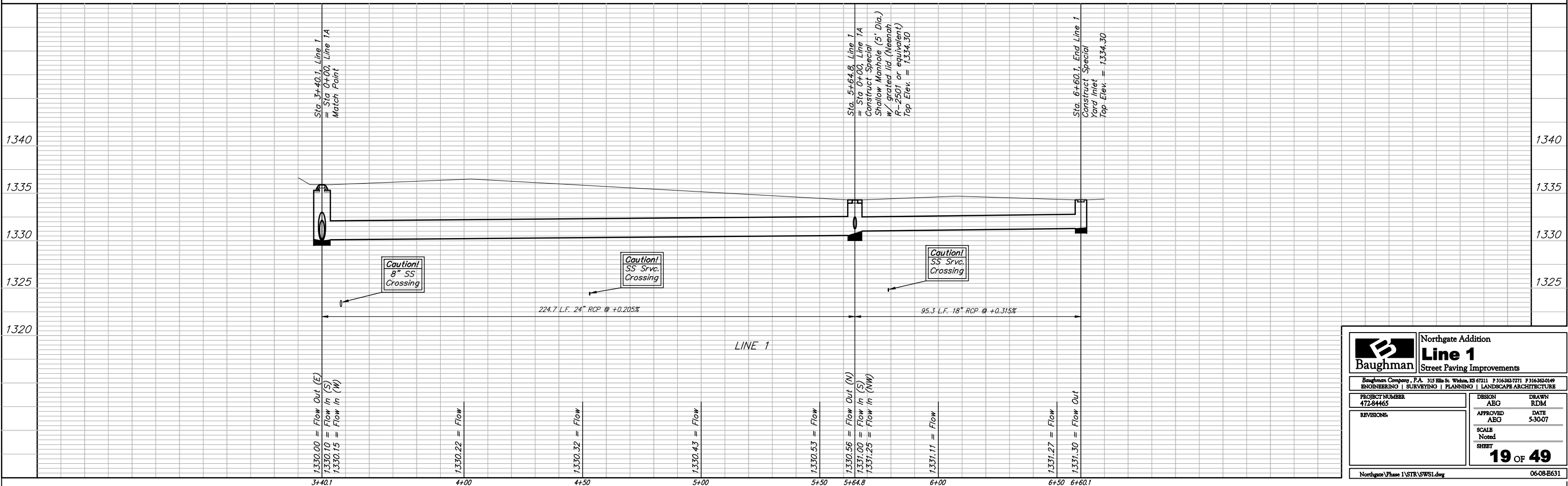
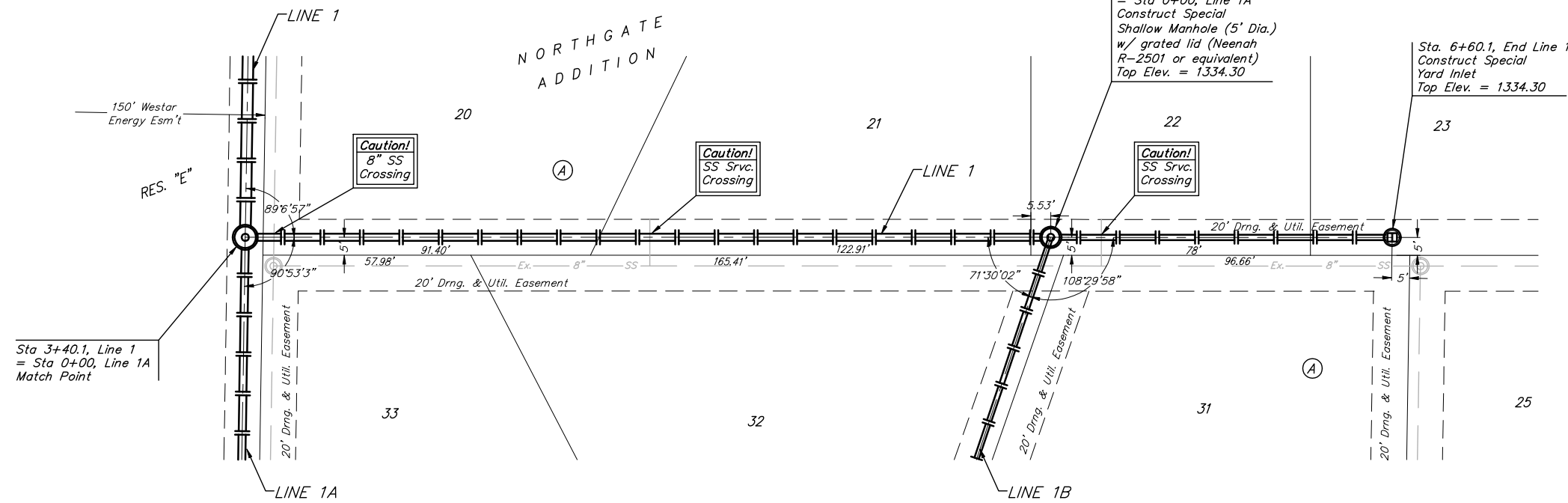


BENCHMARKS:
 BM #1: BENT 60d NAIL IN LIGHT POLE, 55' SSW. OF THE E1/4 COR., SEC. 13, TWP. 26-S, R-1-W. ELEV. = 1336.54 NGVD29

BM #2: RAILROAD SPIKE IN E. FACE OF N. "H" POLE, 60'± S. OF N. LINE, S1/2, NE1/4, SEC. 13, TWP. 26-S, R-1-W. ELEV. = 1335.93 NGVD29

BM #3: "□" CUT ON TOP OF NE COR. OF WATER VAULT, 437'± E. & 54'± N. OF S1/4 COR., SEC. 13, TWP. 26-S, R-1-W. ELEV. = 1334.81 NGVD29

Scale: 1" = 20' Horizontal
 1" = 5' Vertical
 ● = Iron



| | | | |
|--|-----------|--------------------|---------|
| | | Northgate Addition | |
| | | Line 1 | |
| Baughman Company, P.A. 315 Ellis St. Wilkes, KS 67111 P 316-262-7771 F 316-262-0149 ENGINEERING SURVEYING PLANNING LANDSCAPE ARCHITECTURE | | DESIGN | DRAWN |
| PROJECT NUMBER | 472-84465 | APPROVED | DATE |
| REVISIONS | | SCALE | 5-30-07 |
| | | NOTED | |
| | | SHEET | |
| | | 19 OF 49 | |
| Northgate Phase 1\STR\SWS1.dwg | | 06-08-E631 | |