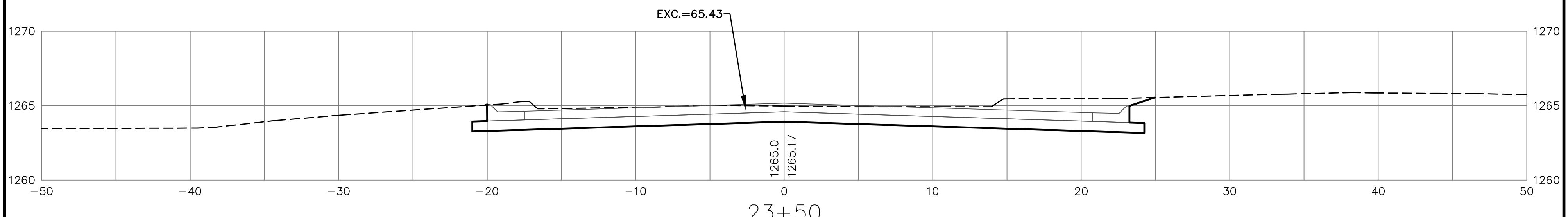
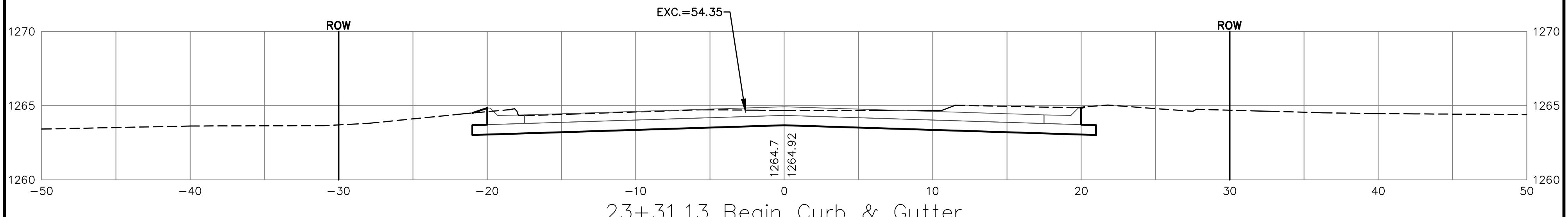


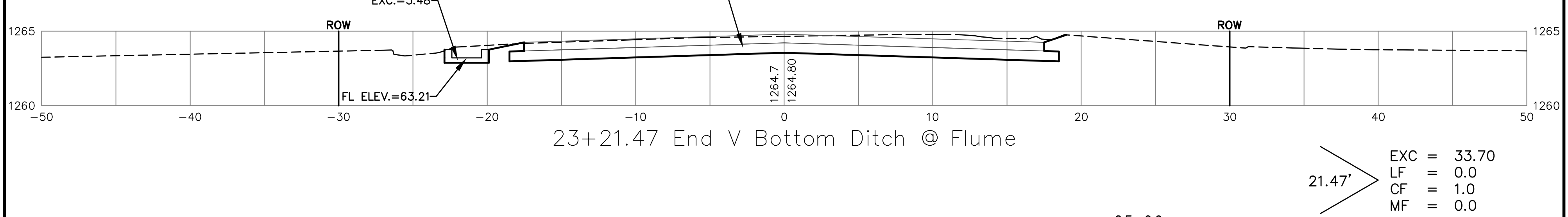
27.15'
 EXC = 92.59
 LF = 0.0
 CF = 0.0
 MF = 0.0



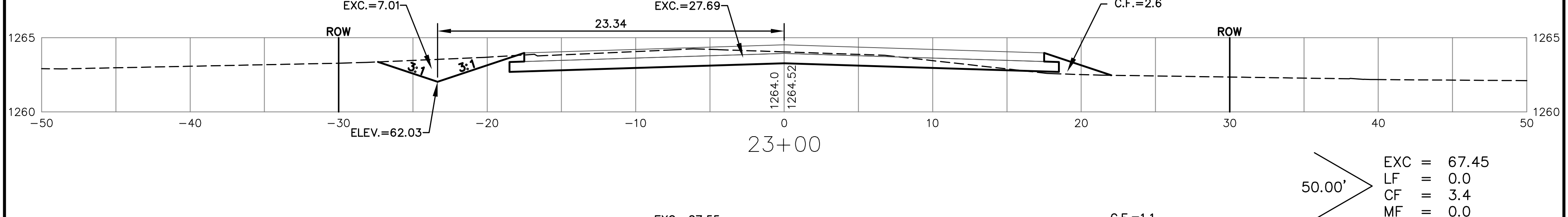
18.87'
 EXC = 41.86
 LF = 0.0
 CF = 0.0
 MF = 0.0



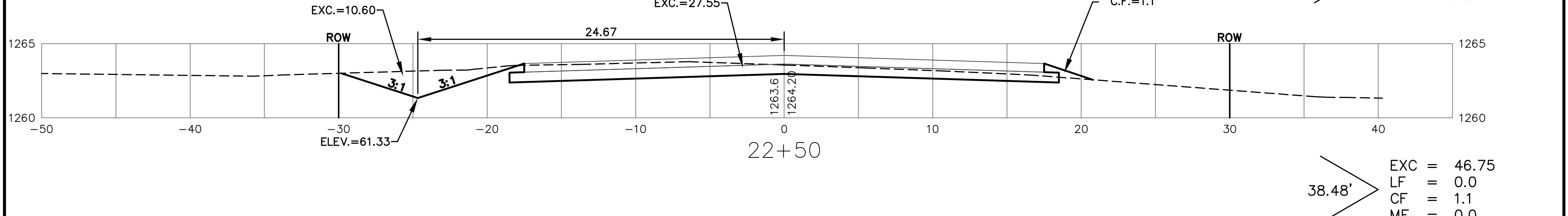
9.66'
 EXC = 18.68
 LF = 0.0
 CF = 0.0
 MF = 0.0



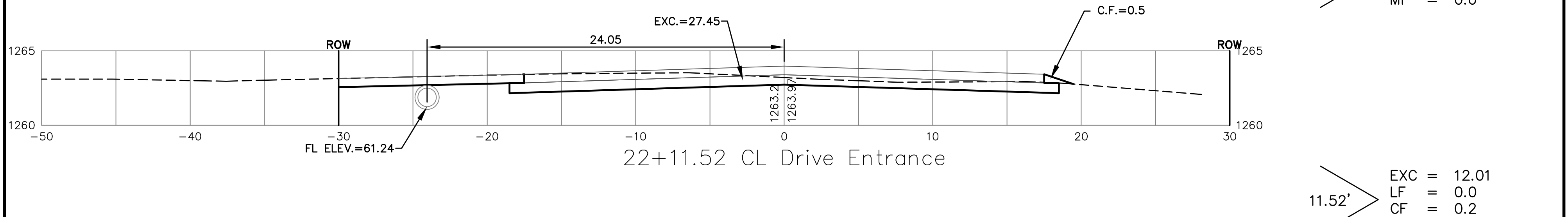
21.47'
 EXC = 33.70
 LF = 0.0
 CF = 1.0
 MF = 0.0



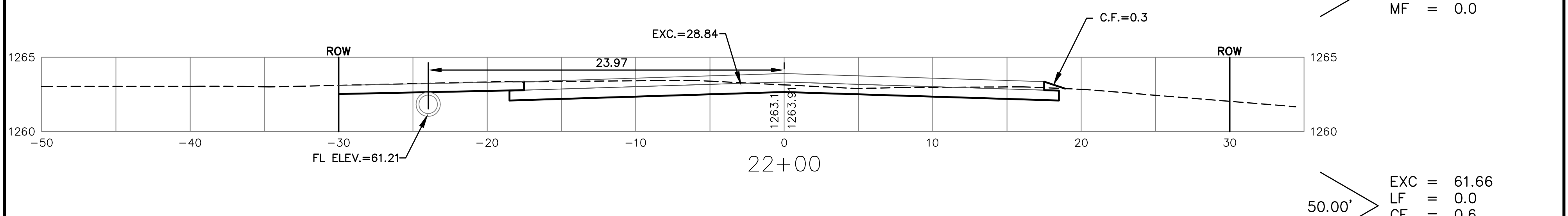
50.00'
 EXC = 67.45
 LF = 0.0
 CF = 3.4
 MF = 0.0



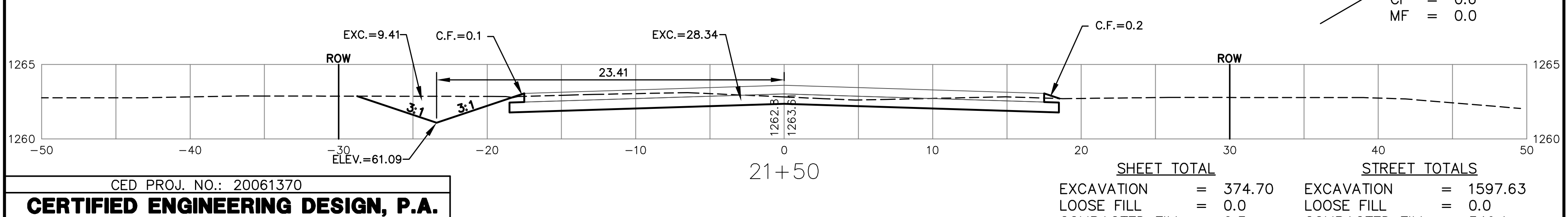
38.48'
 EXC = 46.75
 LF = 0.0
 CF = 1.1
 MF = 0.0



11.52'
 EXC = 12.01
 LF = 0.0
 CF = 0.2
 MF = 0.0



50.00'
 EXC = 61.66
 LF = 0.0
 CF = 0.6
 MF = 0.0



CED PROJ. NO.: 20061370
CERTIFIED ENGINEERING DESIGN, P.A.
810 WEST DOUGLAS, SUITE C
WICHITA, KANSAS 67203
 PH: (316) 262-8808
 FAX: (316) 262-1669

SHEET	17
TOTAL	17

SHEET TOTAL		STREET TOTALS	
EXCAVATION	= 374.70	EXCAVATION	= 1597.63
LOOSE FILL	= 0.0	LOOSE FILL	= 0.0
COMPACTED FILL	= 6.3	COMPACTED FILL	= 349.1
MANIPULATED FILL	= 0.0	MANIPULATED FILL	= 0.0
GROVE STREET		GROVE STREET	