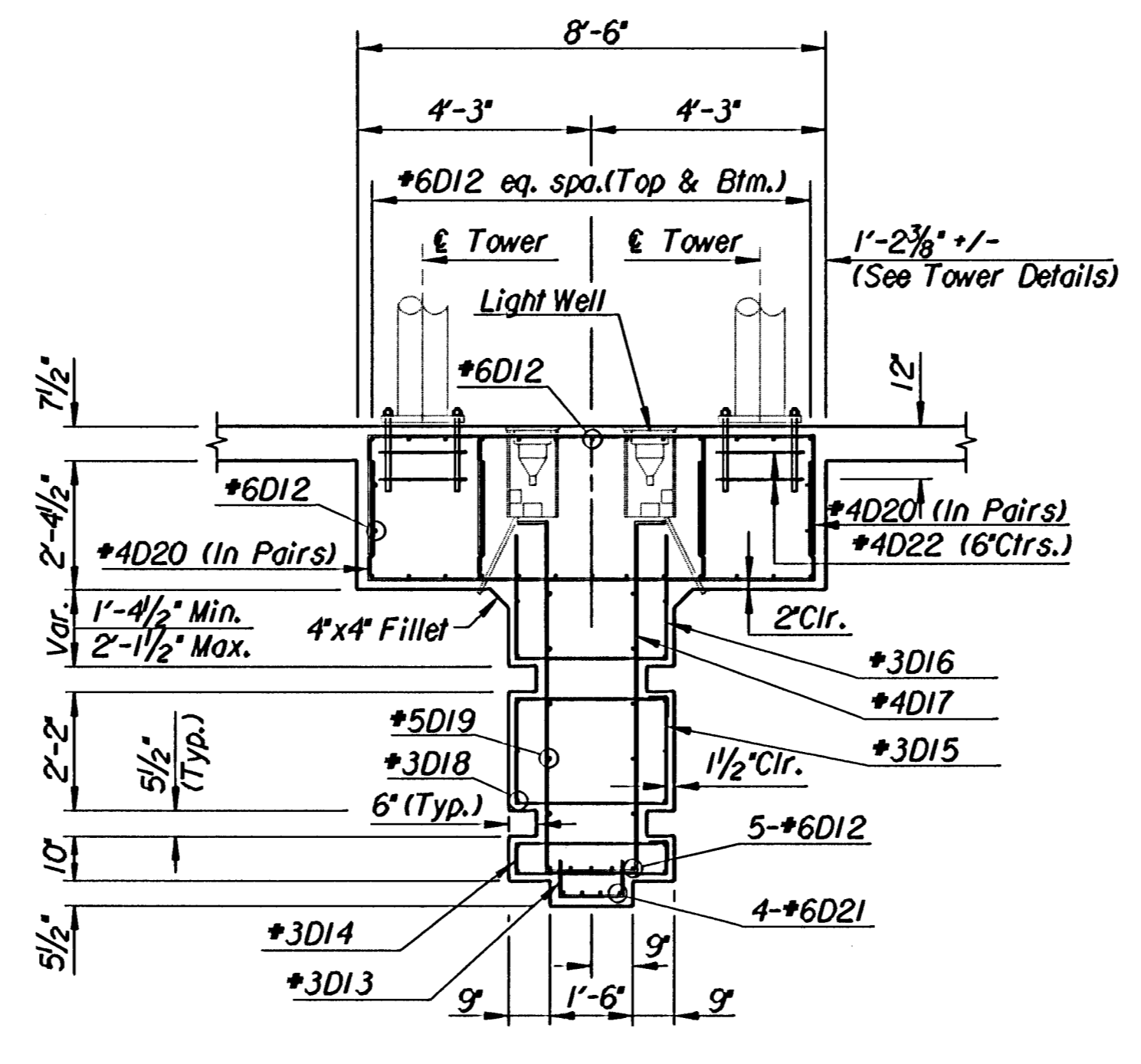
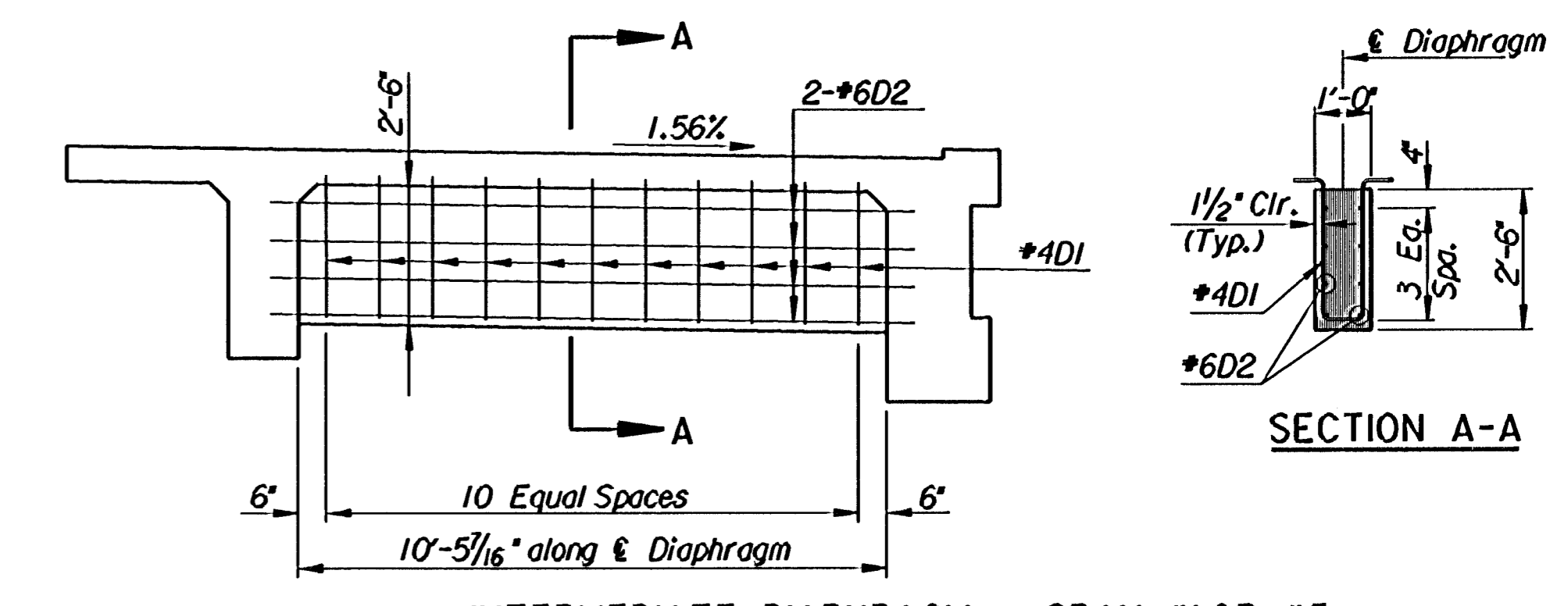


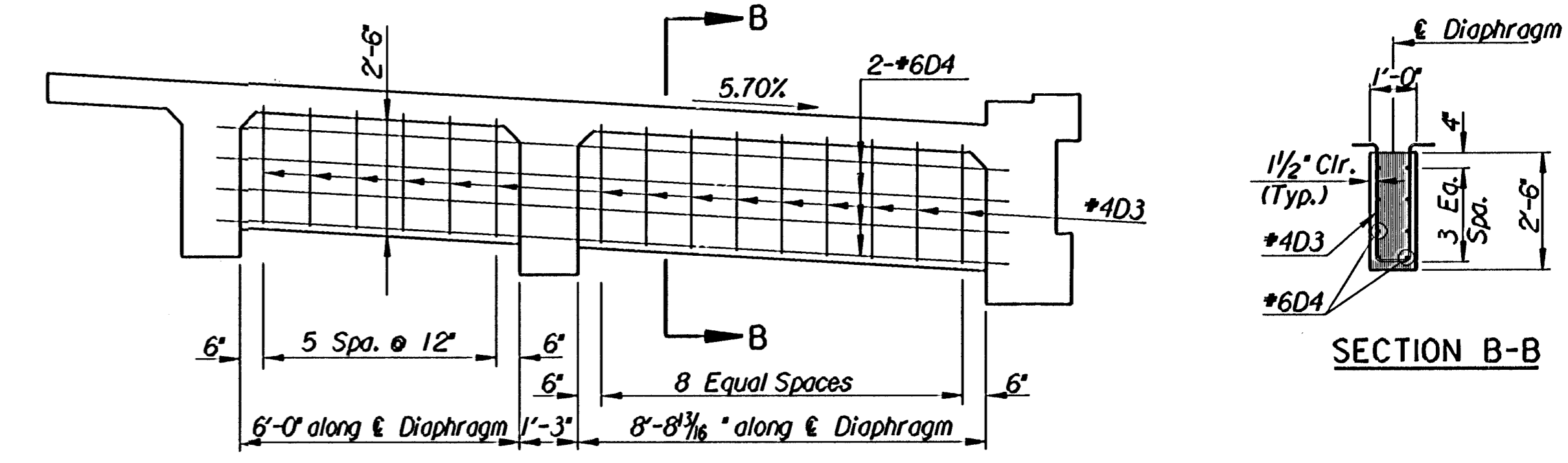
**PIER DIAPHRAGM AT
PIER #2 OR #3**
 *6D12 and *5D19 extend into exterior beams 1'-0"
 *3D18 extend into exterior beams 6"



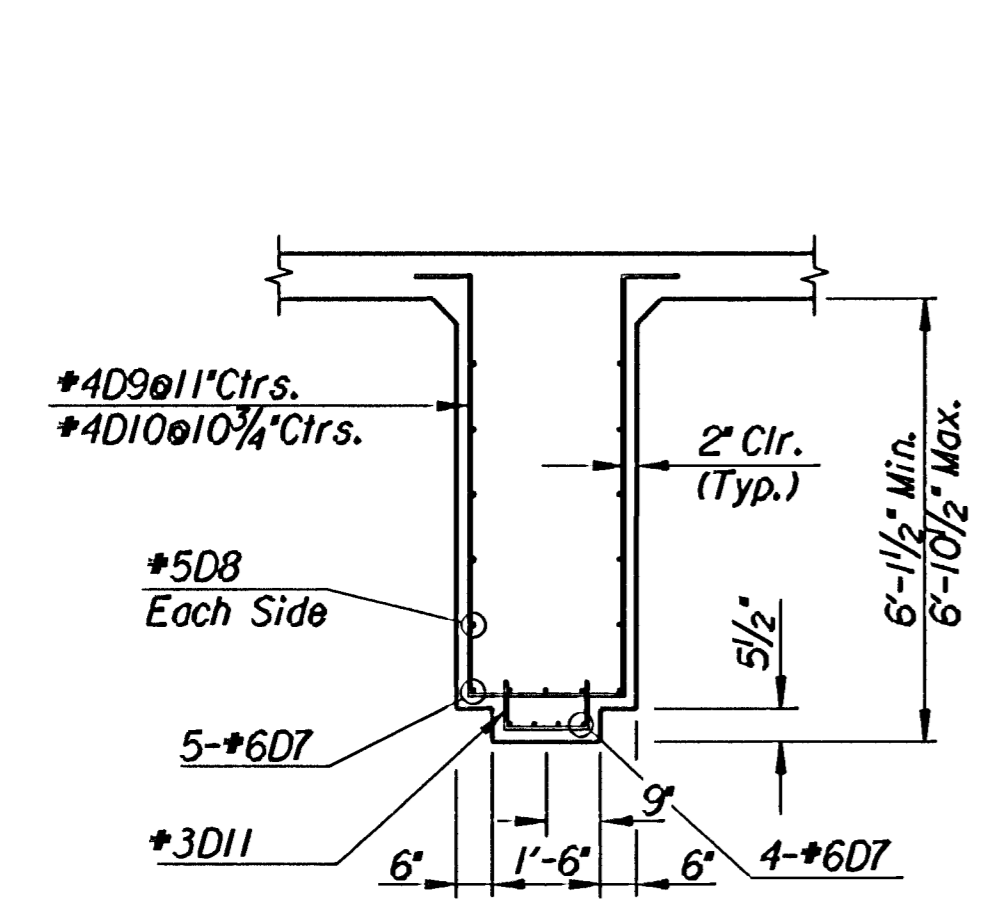
Note:
 Light Wells shall be drained by the installation of a 1/4" Dia. P.V.C. Pipe with the outfall located a minimum of 6" beyond the footprint of the Pier and extending 1" below the bottom surface of the slab. Reference Arch. Sheets A7 and A8 for Tower Base Details.



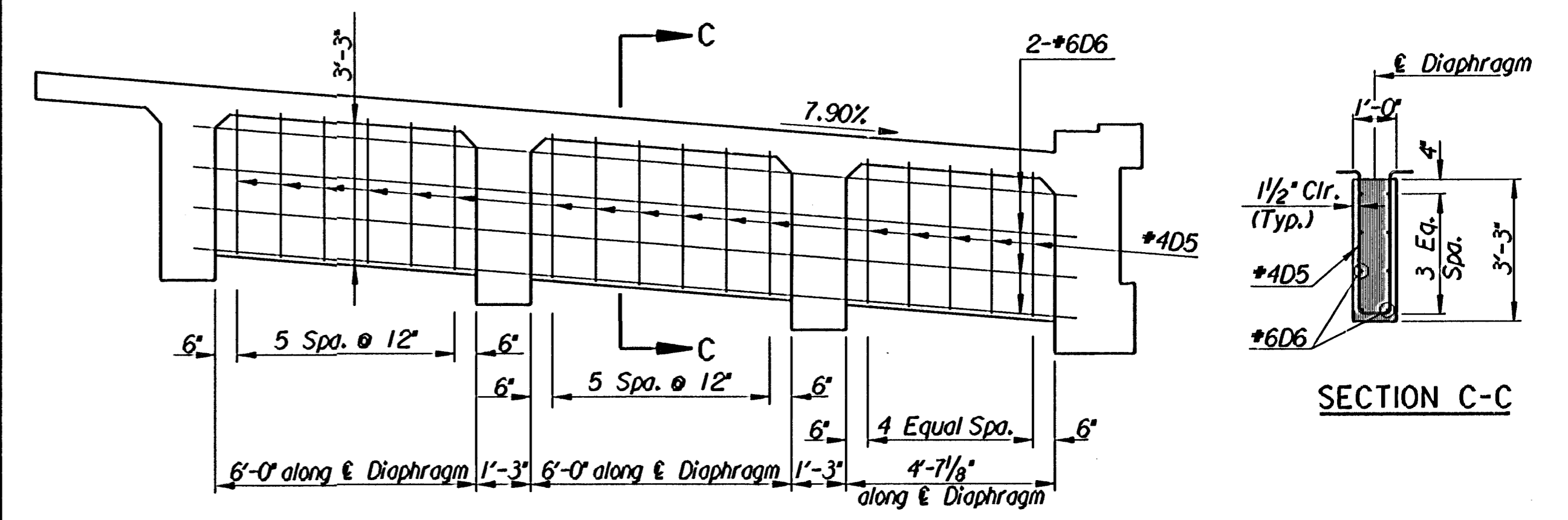
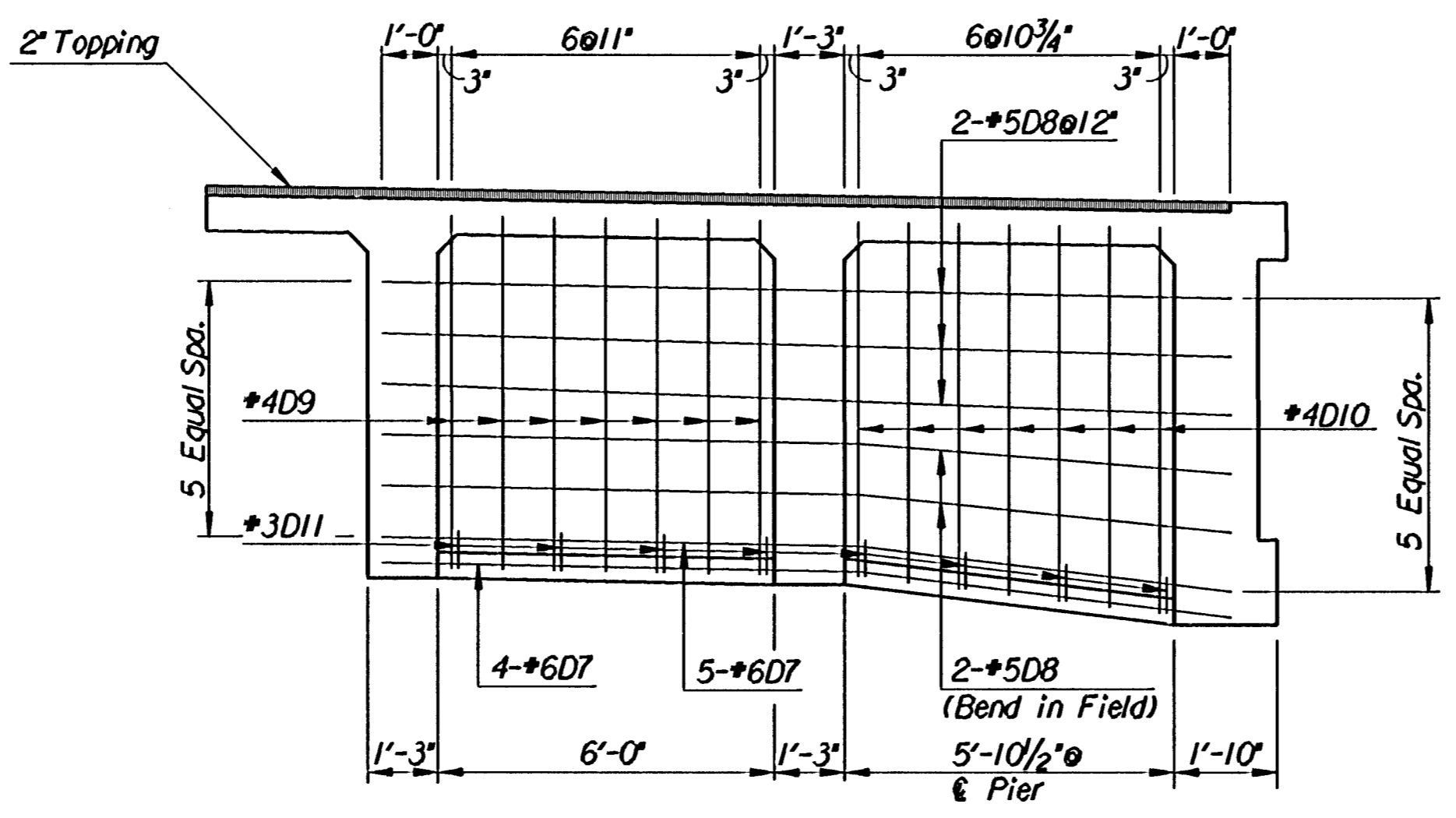
INTERMEDIATE DIAPHRAGM - SPAN #1 OR #5
 *6D2 extend into exterior beams 6"
 (Total of 4 Required)



INTERMEDIATE DIAPHRAGM - SPAN #2 OR #4
 *6D4 extend into exterior beams 6"
 (Total of 4 Required)



**PIER DIAPHRAGM AT
PIER #1 OR #4**



INTERMEDIATE DIAPHRAGM - SPAN #3
 *6D6 extend into exterior beams 6"
 (Total of 4 Required)

1			
No.	Revisions	By	Date
CITY OF WICHITA, KANSAS MICHAEL E. LINDEBAK, P.E.-CITY ENGINEER DOUGLAS AVENUE BRIDGE OVER ARKANSAS RIVER SIDEWALK DIAPHRAGMS CITY OF WICHITA PROJECT NO. 472-82721 PROFESSIONAL ENGINEERING CONSULTANTS, P.A. ENGINEERS WICHITA, KANSAS			
Designed by	R.A.S./P.D.F.	Checked by	R.A.S.
Drawn by	J.G.P.	Date	Sept. 1997
		Job No.	95088-4