

FHWA REGION NO.	STATE	PROJECT NO.	YEAR	SHEET NO.	TOTAL SHEETS
7	KANSAS	472-82721	1997	C100	131

**TYPICAL SECTION**

Reference is made to the latest edition of the CRSI "Manual of Standard Practice" for recommended industry practices concerning reinforcing steel.

Use only the following types of bar supports:

- 1) Wire Bar Supports:
  - a) Epoxy coated reinforcing: Class 1 Protection
  - b) Non-epoxy coated reinforcing: Class 1, 2, or 3 Protection
- 2) Plastic Bar Supports
- 3) Supplementary bars

When securing epoxy coated reinforcement, use tie wires or metal clips that are epoxy or plastic coated.

Do not weld reinforcing steel to bar supports or to other reinforcing steel. Shop weld spacer frames for haunched slabs.

Tie bars at all intersections around the perimeter of each mat and at not less than 2'-0" centers or at every intersection, whichever is greater.

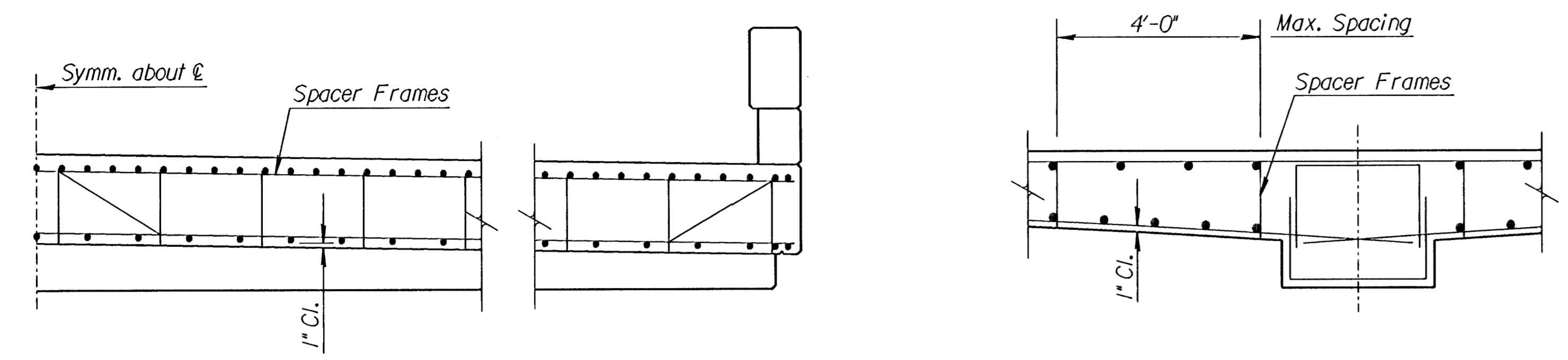
Where more than one length of bar support is required, lap the end legs so they are locked or tied together.

Use proper height supports to maintain the distance between the reinforcing and the formed surface or the top surface of deck slabs within 1/4" of that indicated on the plans.

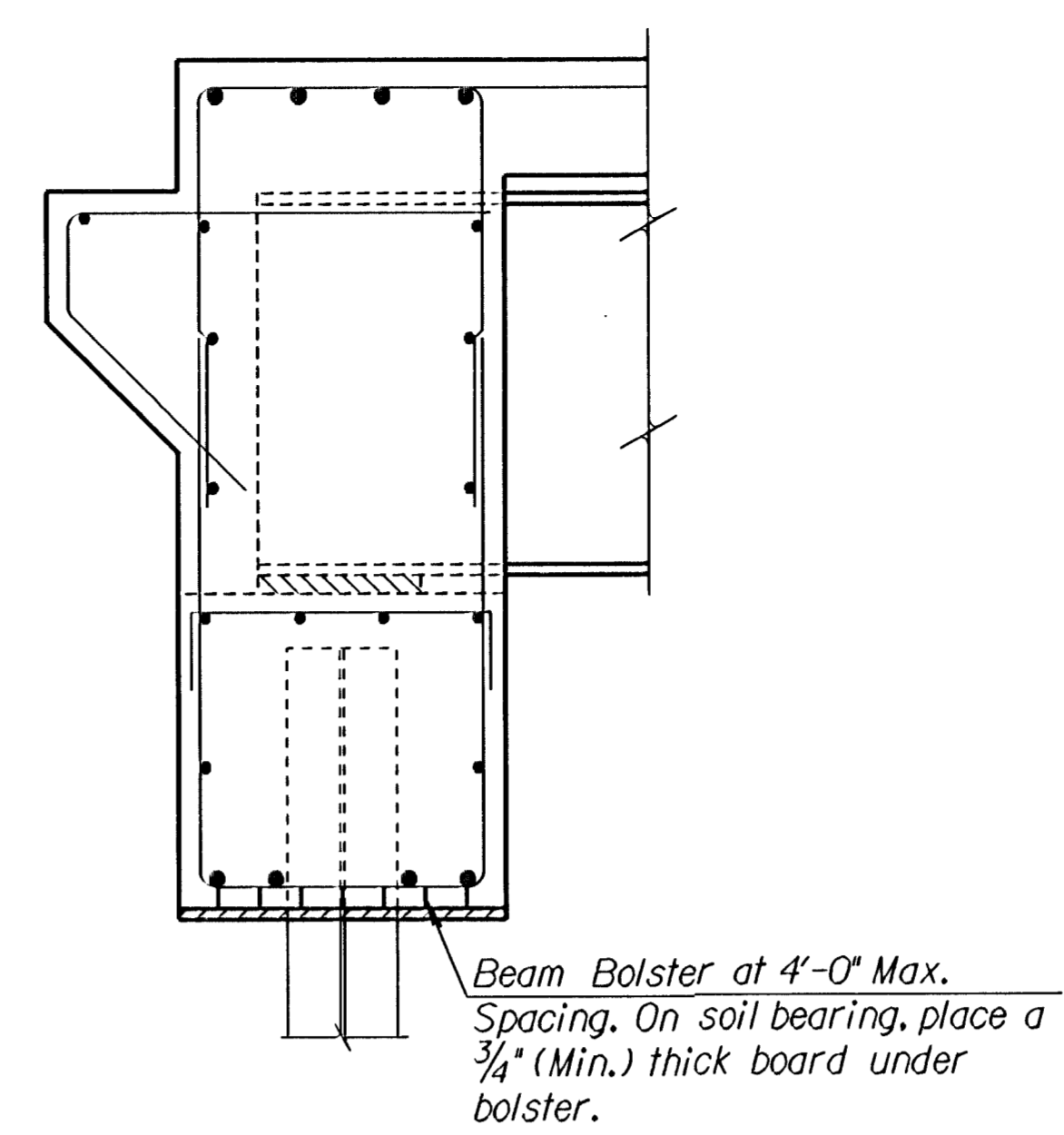
Spacings shown are maximums. Use sufficient supports, as determined by the Engineer, to retain the reinforcing steel in position.

Construct platforms, used for the support of men and equipment during concrete placement, directly on the forms and not on the reinforcing steel.

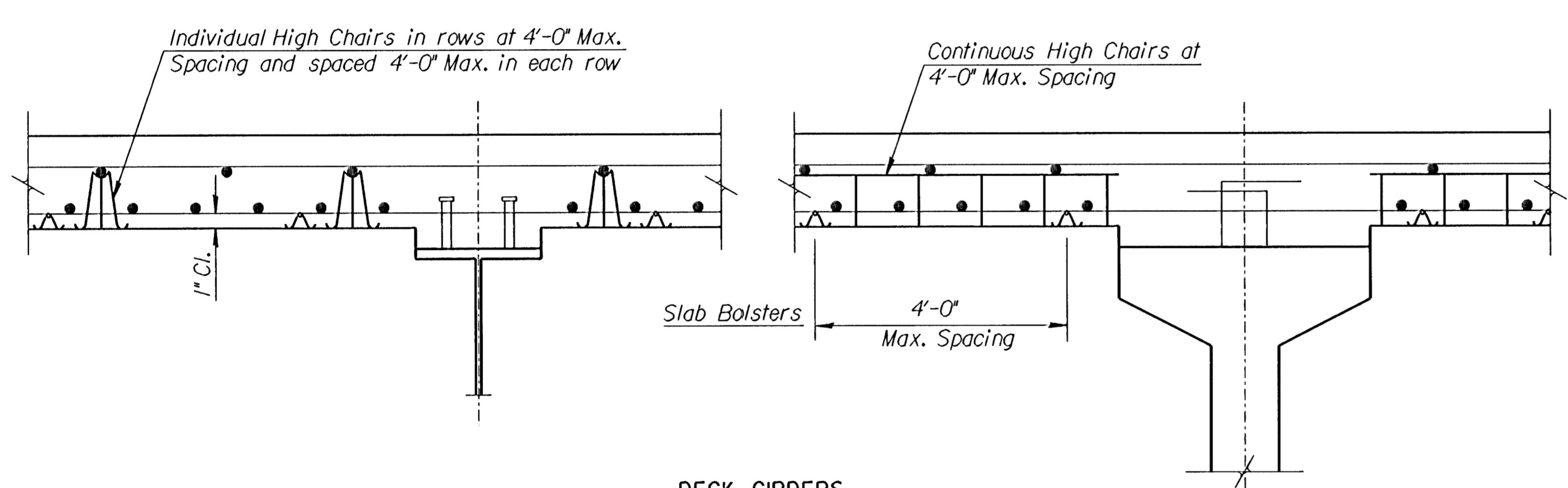
Designs and arrangements of Supports or Spacers other than as shown on this sheet, may be used with the permission of the Engineer.



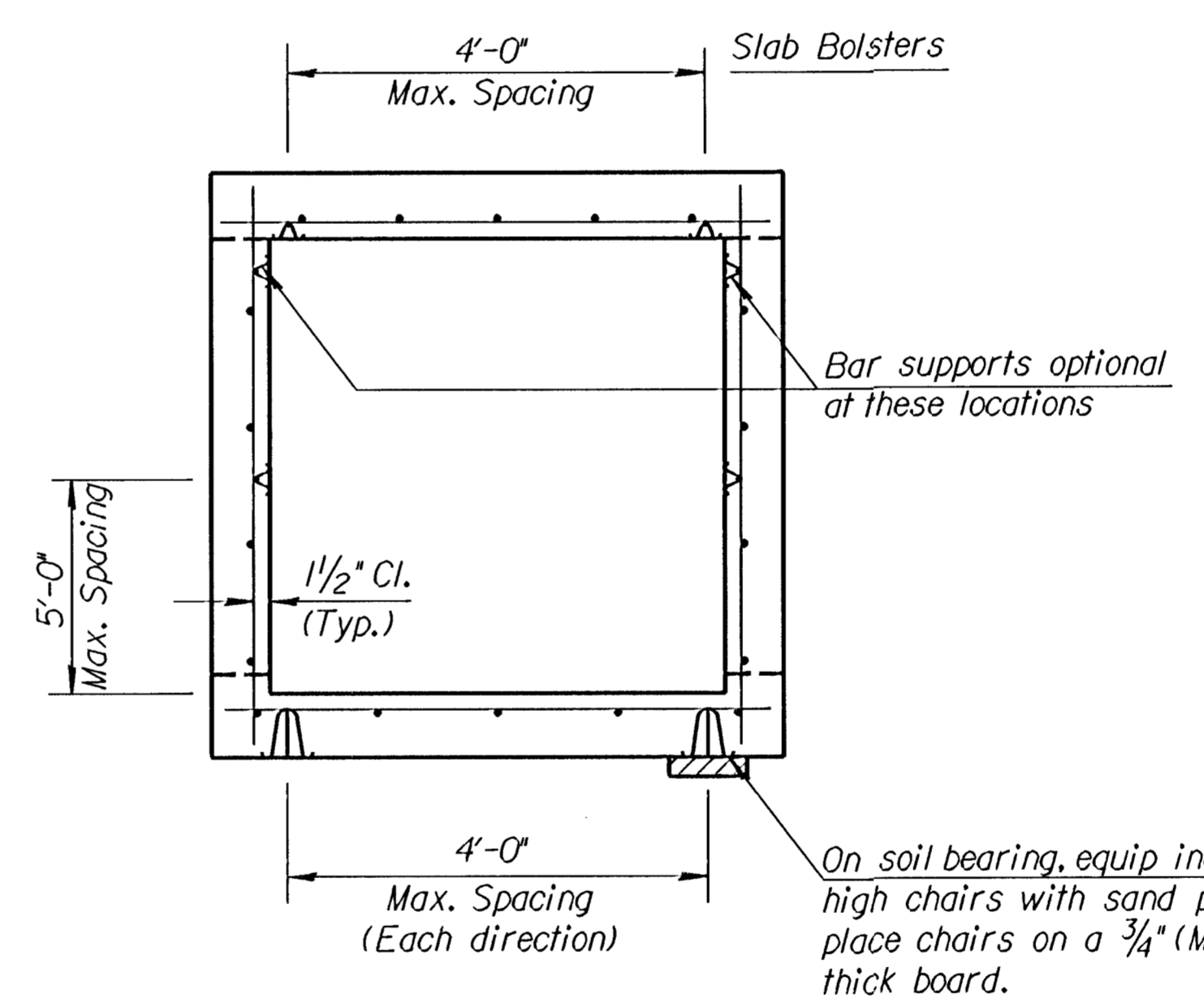
**CONTINUOUS HAUNCHED SLAB**



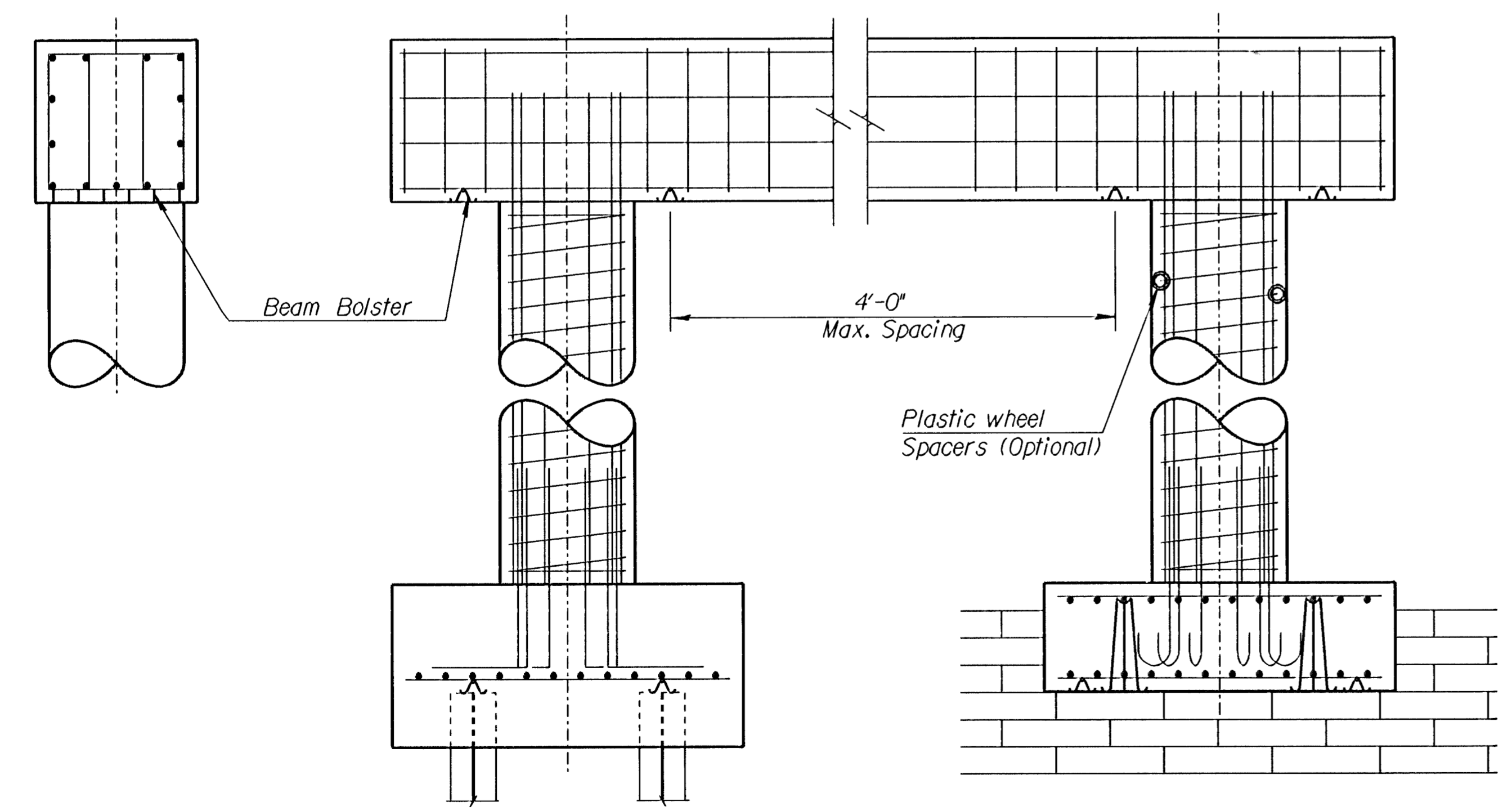
**ABUTMENT**



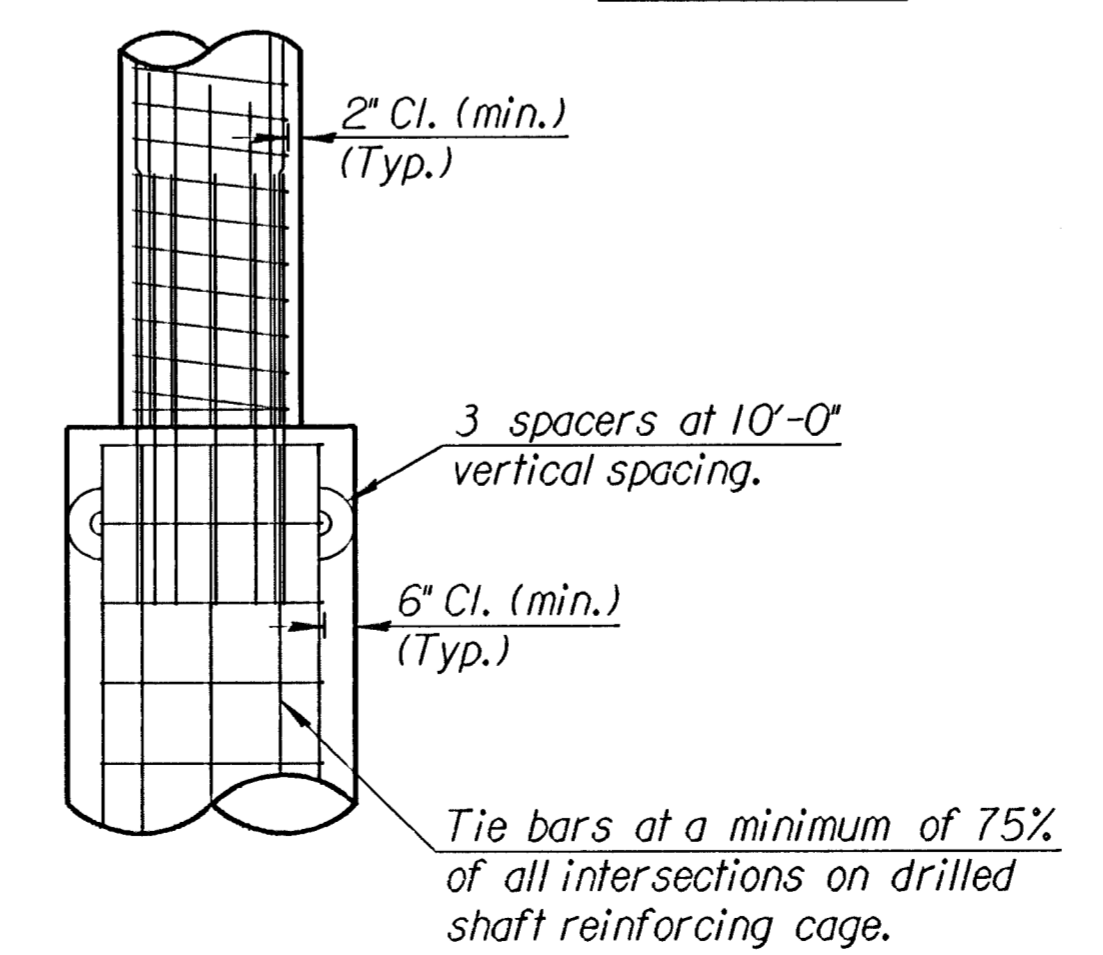
**DECK GIRDERS**



**BOX CULVERT**



**PIER**



**DRILLED SHAFT**

Plotted By : will  
 Std. Base File : /usr2/stand/usb/br120.dgn  
 Working File : /usr2/  
 Back Up File : witch  
 View: PLOT  
 Plot File : /usr2/stand/standard/bar supp.dgn  
 Plot Date : 8-26-97

3				
2				
1				
NO.	DATE	REVISIONS	BY	APP'D
<b>KANSAS DEPARTMENT OF TRANSPORTATION</b>				
<b>SUPPORTS AND SPACERS FOR REINFORCING STEEL</b>				
<b>BR120</b>				
FHWA APPROVAL	6-15-95	APP'D	KENNETH F. HURST	
DESIGNED	RAMI	DETAILED	GFK	QUANTITIES
DESIGN CK.	LRR	DETAIL CK.	RAMI	QUAN. CK.
			CADD	GFK
			CADD	RAM