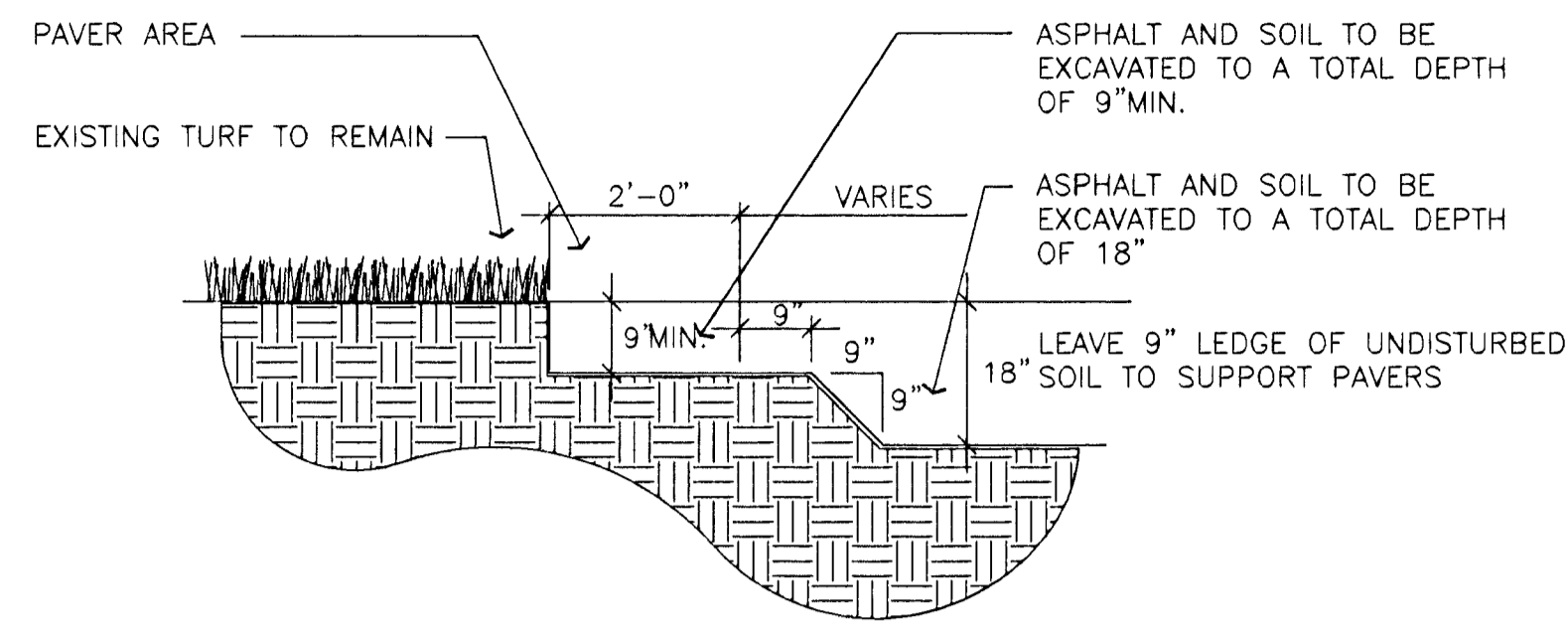
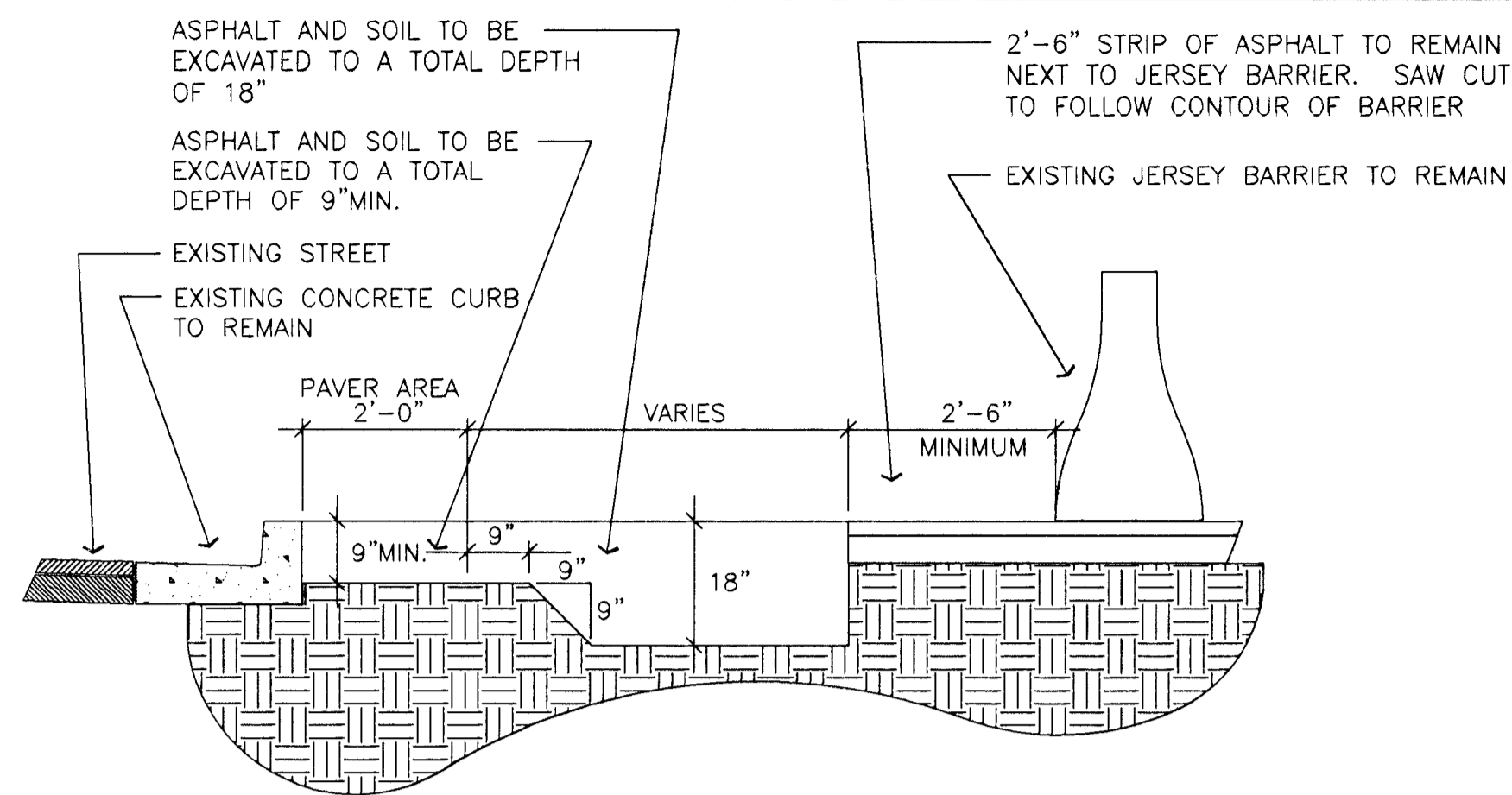


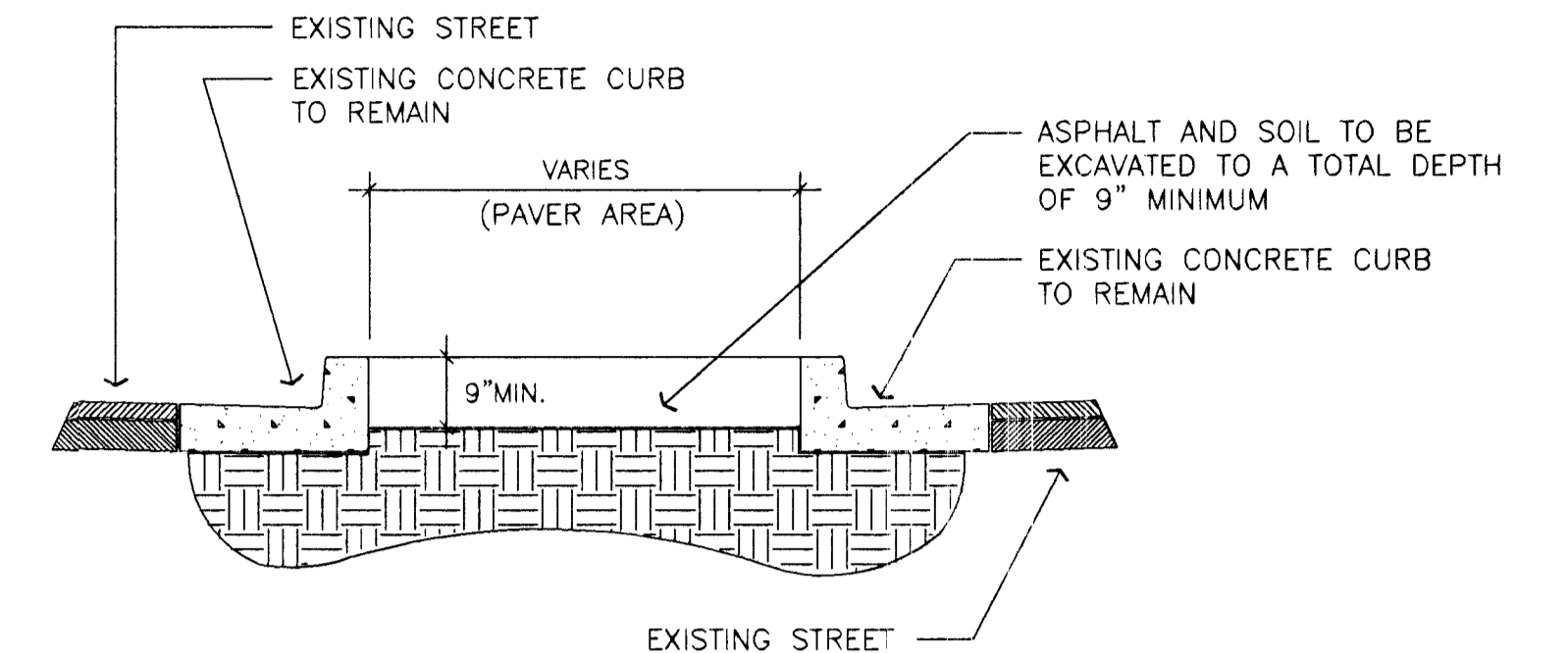
FHWA REG NO.	STATE	PROJECT NO.	YEAR	SHEET NO.	SHEETS
7	KANSAS	54-87-TE-0039-01	1997	8	43



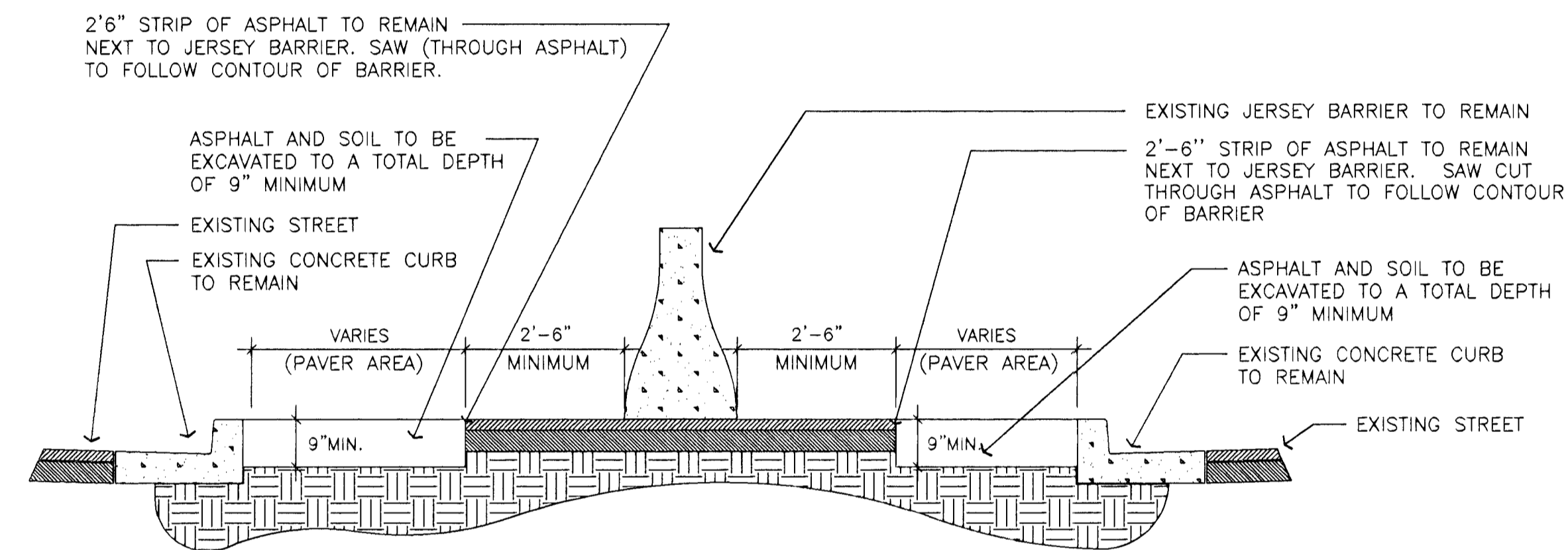
1 ASPHALT REMOVAL
NEXT TO TURF NO SCALE



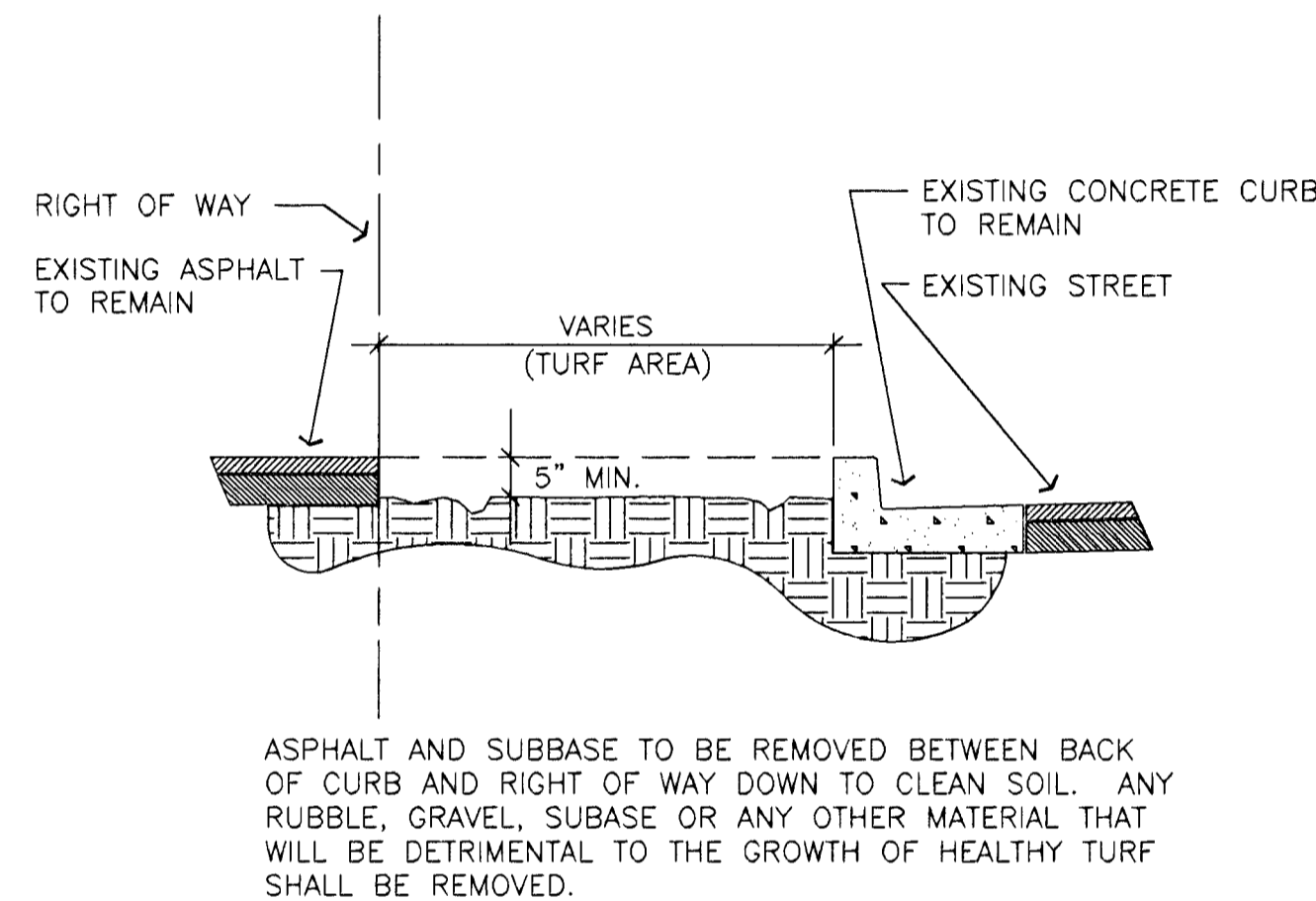
2 ASPHALT REMOVAL
AT EXISTING JERSEY BARRIER NO SCALE



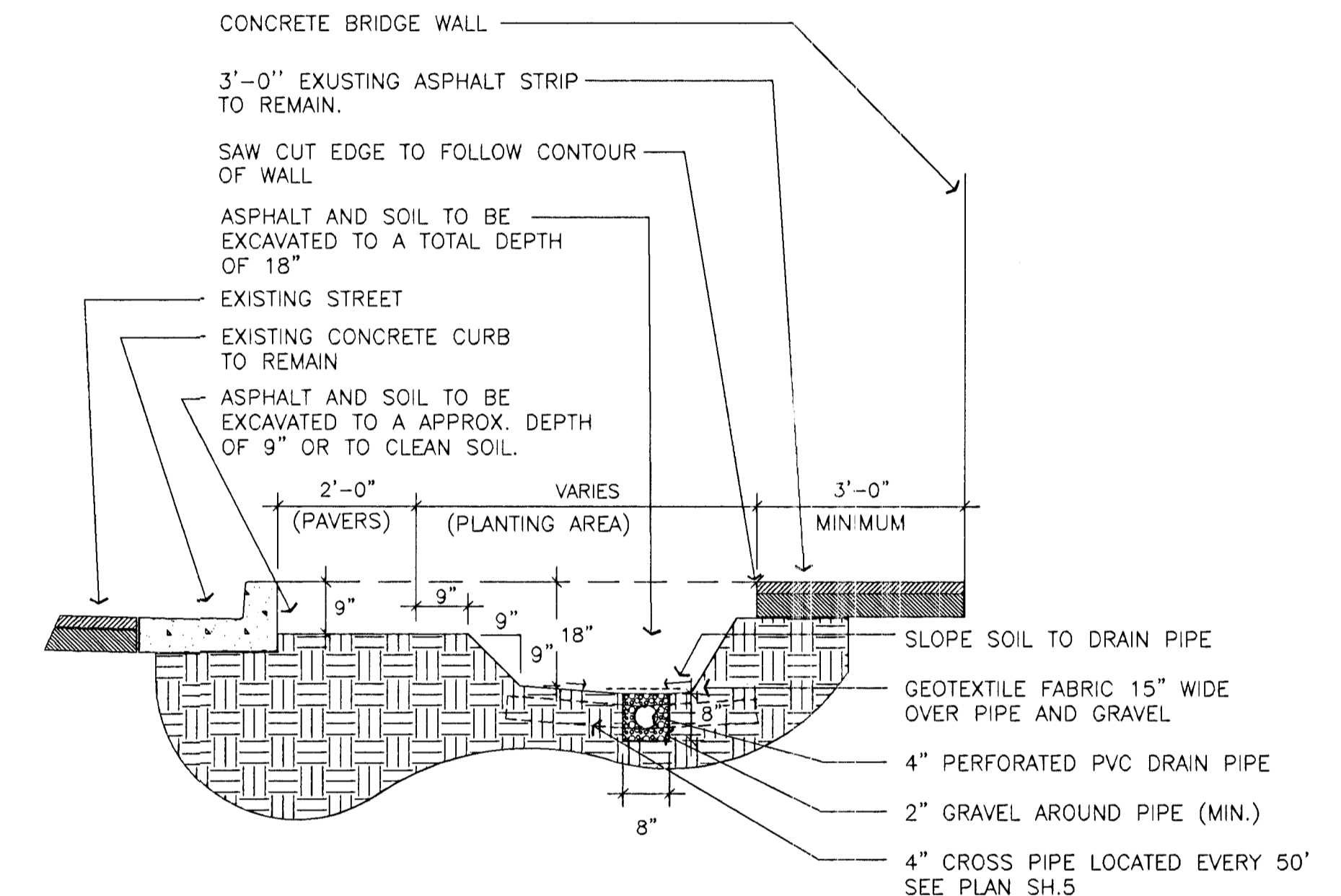
3 ASPHALT REMOVAL
AT EXISTING CURBED ISLAND NO SCALE



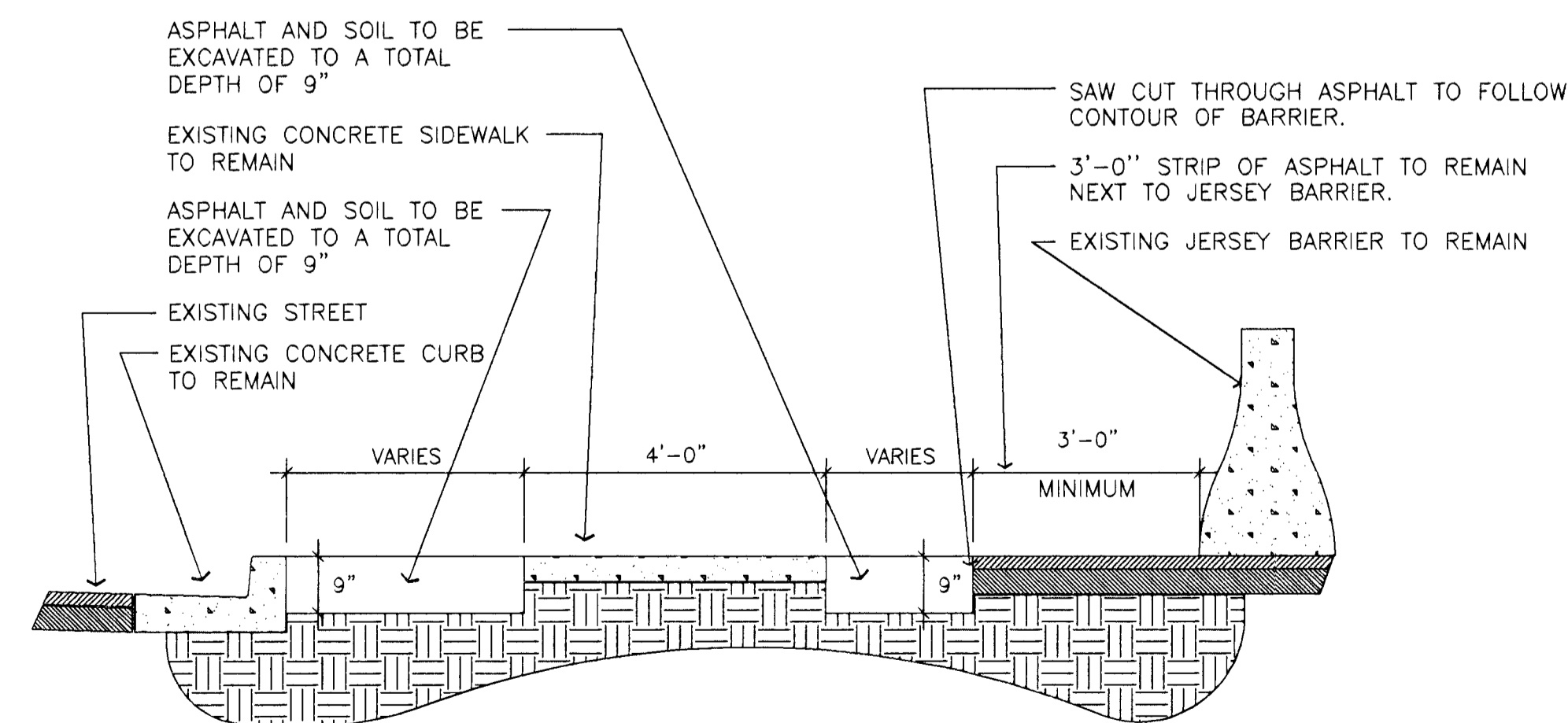
4 ASPHALT REMOVAL
AT EXISTING JERSEY BARRIER NO SCALE



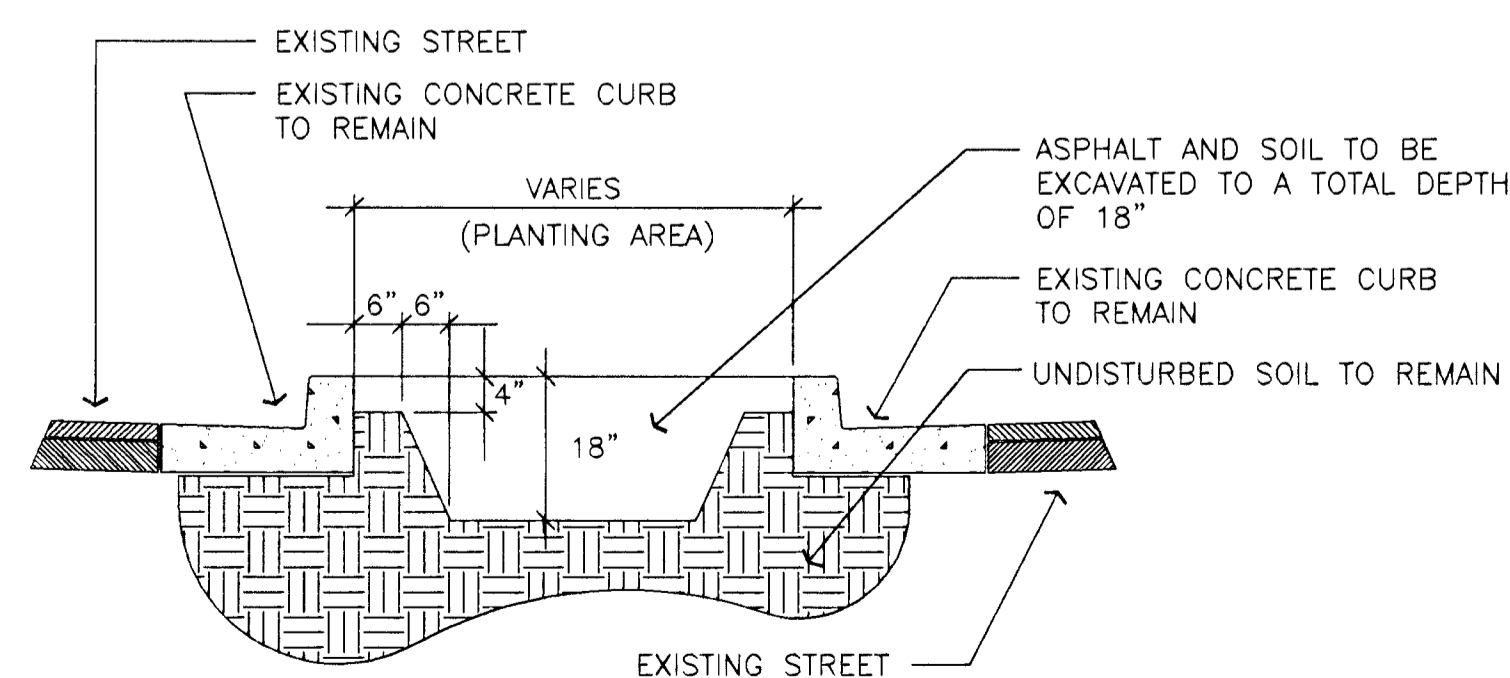
5 ASPHALT REMOVAL
NEXT TO EXISTING ASPHALT NO SCALE



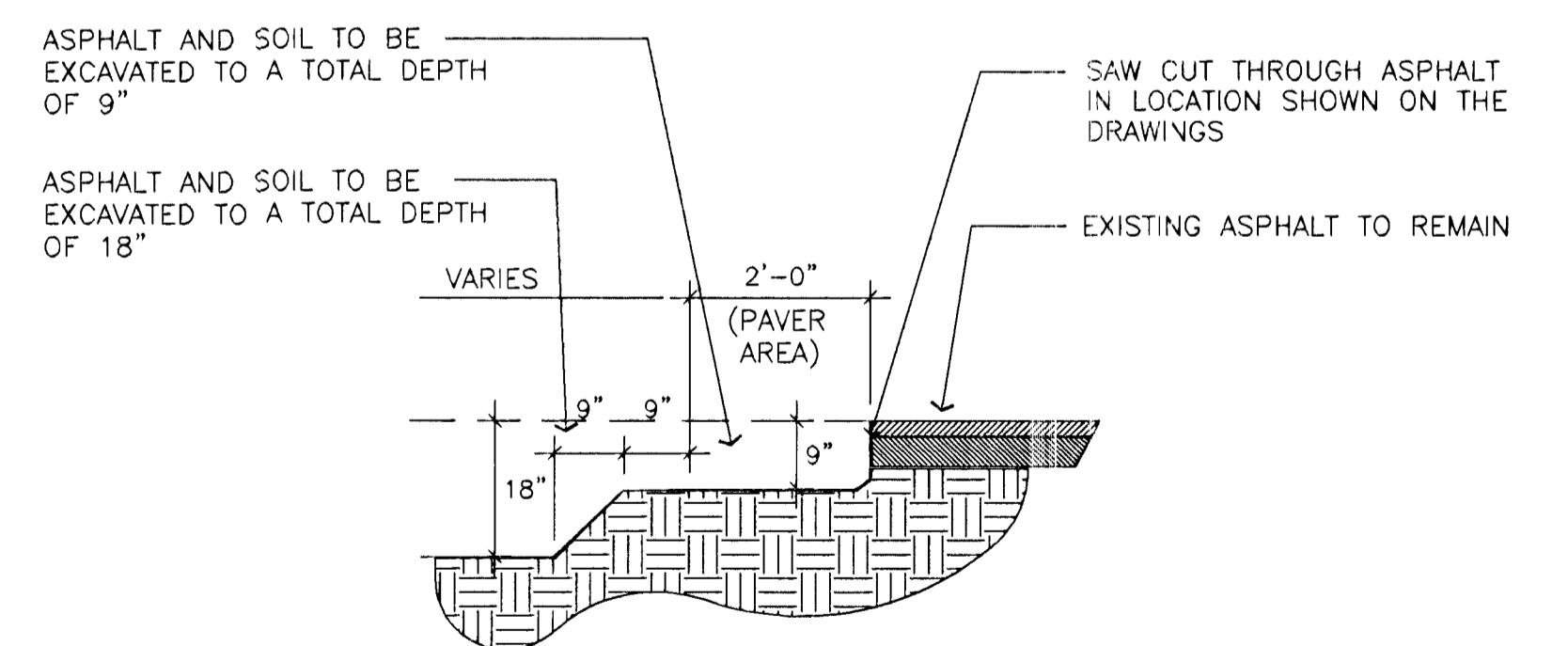
6 ASPHALT REMOVAL & DRAIN PIPE LOCATION
AT EXISTING BRIDGE OVERPASS NO SCALE



7 ASPHALT REMOVAL
AT EXISTING JERSEY BARRIER WITH CONCRETE SIDEWALK NO SCALE



8 ASPHALT REMOVAL
AT EXISTING PLANT ISLAND NO SCALE



9 ASPHALT REMOVAL
NEXT TO EXISTING ASPHALT NO SCALE

KANSAS DEPARTMENT OF TRANSPORTATION
**KELLOGG AND WEST STREET
 SITE DEMOLITION SECTIONS
 DEMOLITION PLANS**
 PROJECT NO. #101227

Wilson Darnell Mann
 architecture site planning interiors
 Wichita, Kansas

DESIGNED BY: WDM, PA CHECKED BY: LME
 DRAWN BY: SKW DATE: 7/31/97 SHEET 8 OF 43

8/24/95
E:\54082\DTL-DEMO.DWG
NONE

