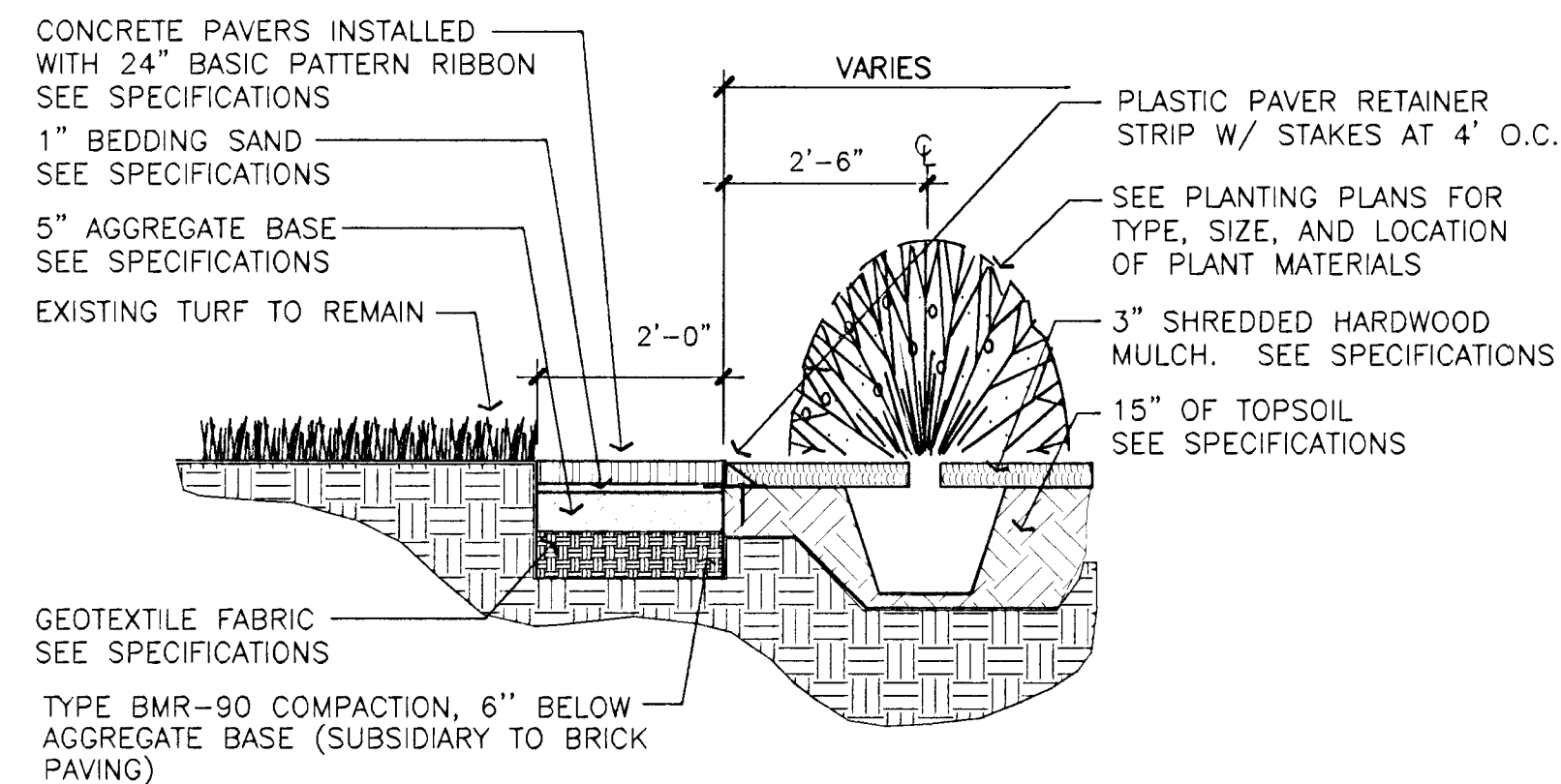
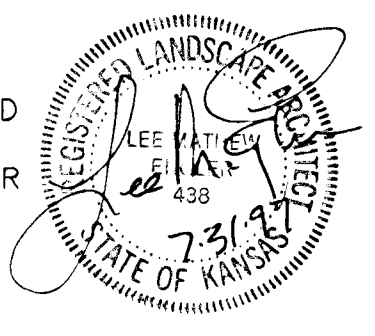
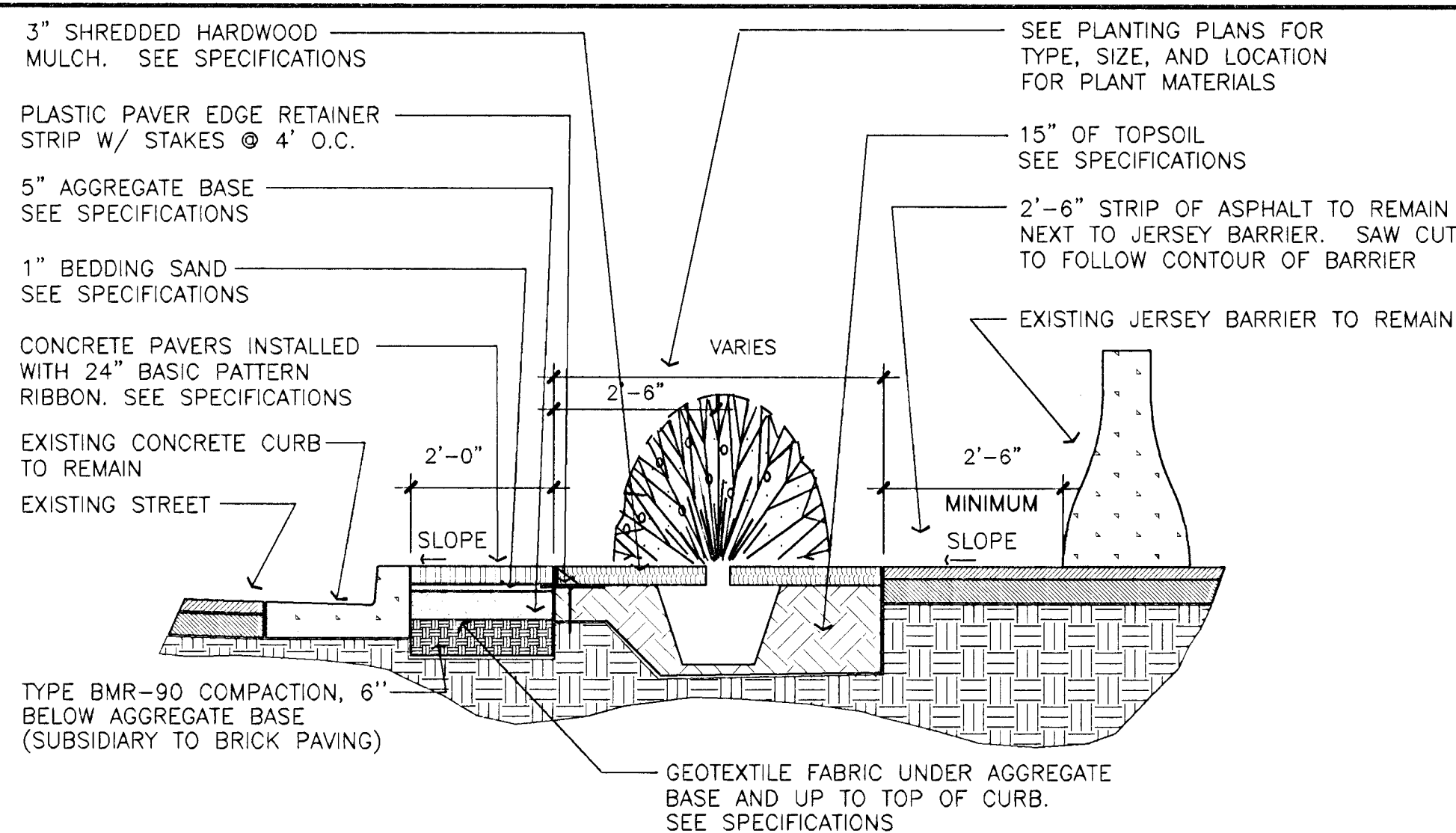


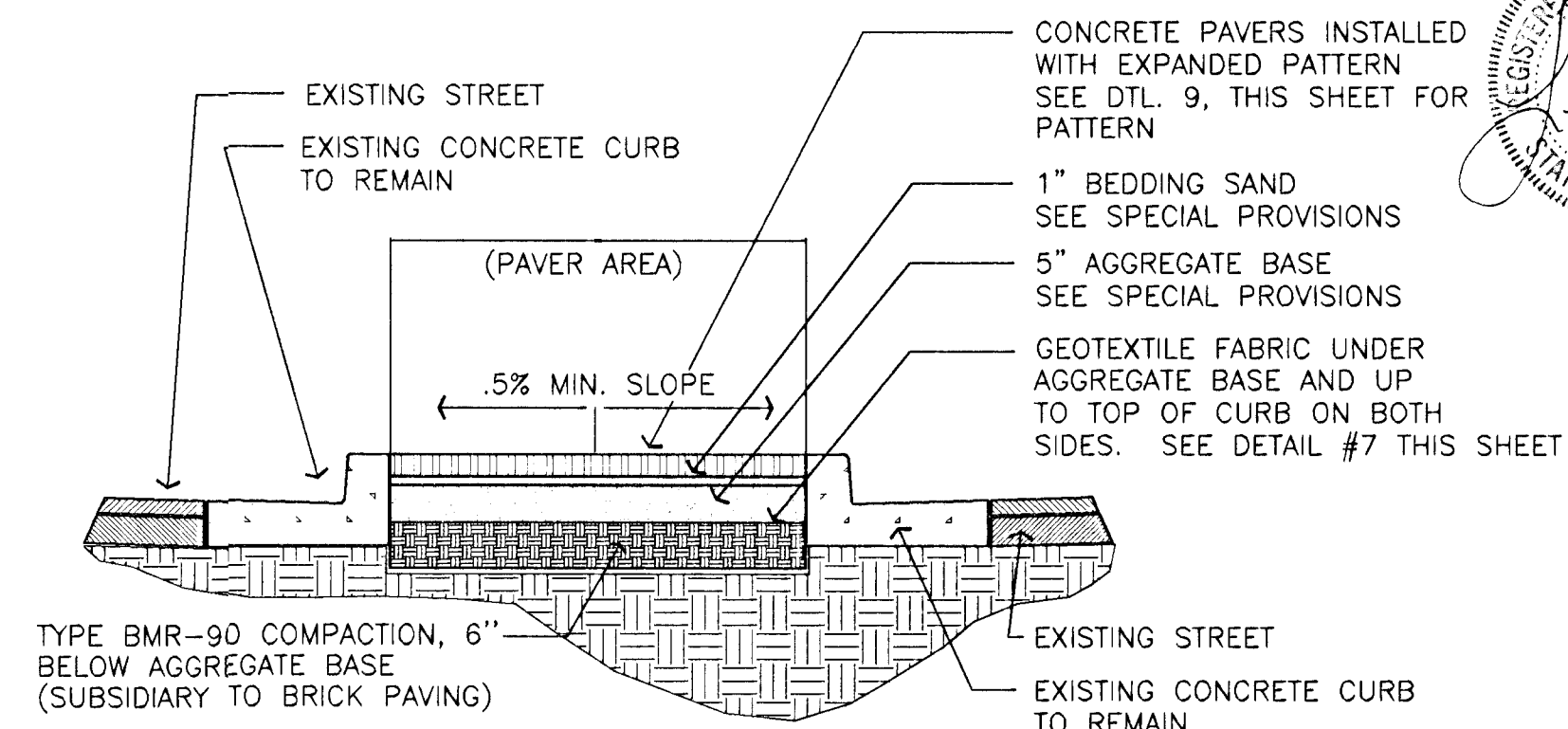
FHWA REG NO.	STATE	PROJECT NO.	YEAR	SHEET NO.	SHEETS
7	KANSAS	54-87-TE-0039-01	1997	16	43



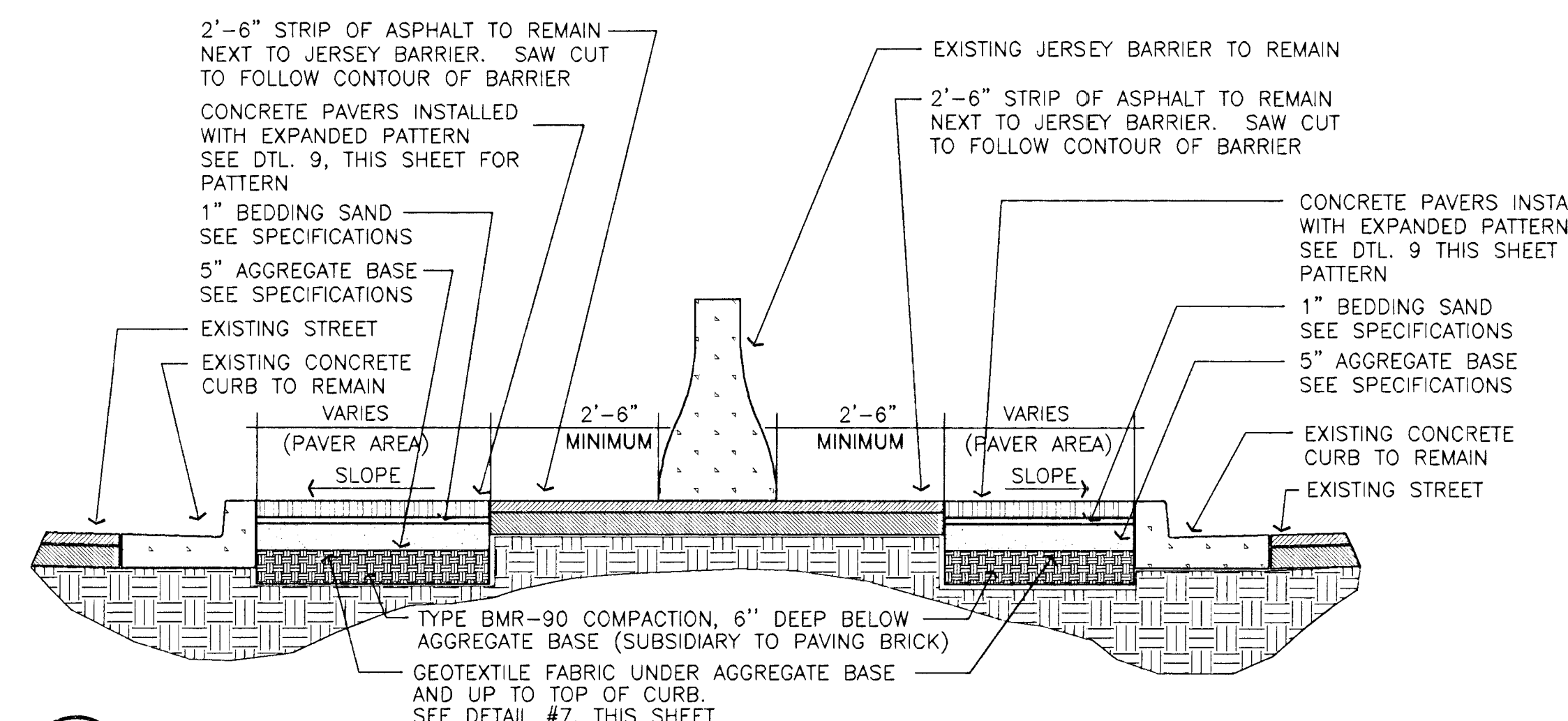
1 CONCRETE PAVERS AND PLANTING BED
NEXT TO TURF NO SCALE



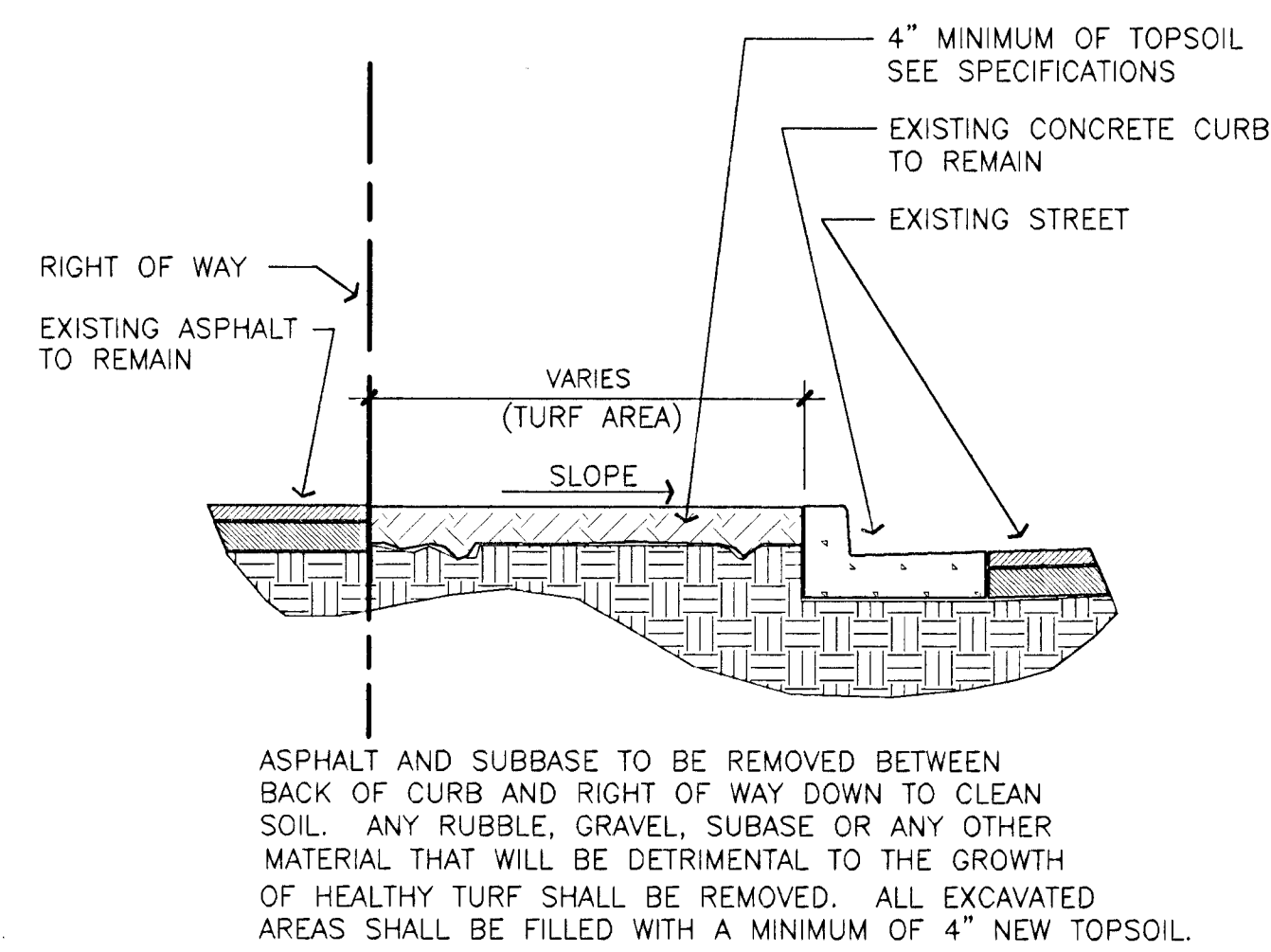
2 CONCRETE PAVERS AND PLANTING BED
AT EXISTING JERSEY BARRIER NO SCALE



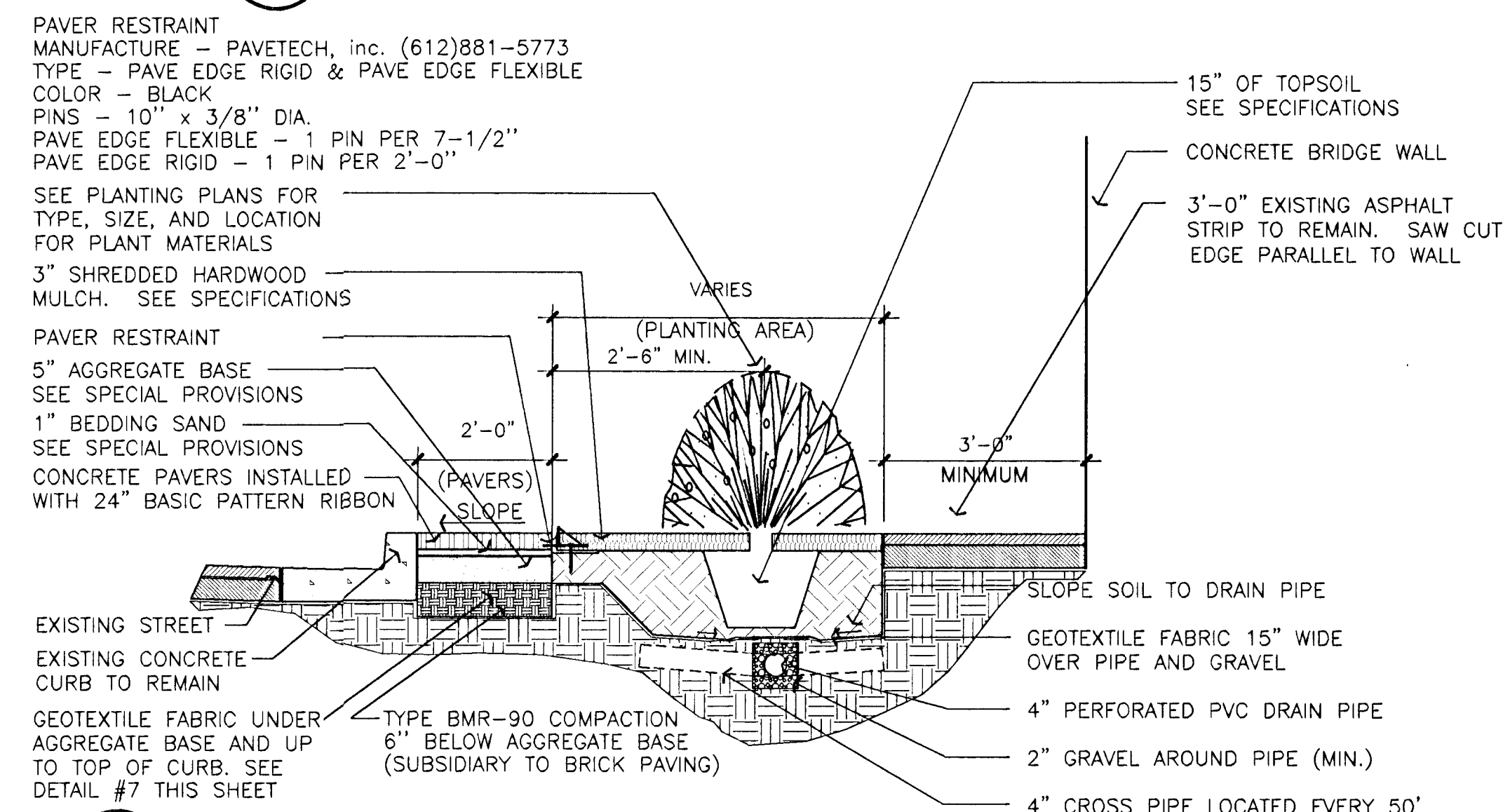
3 CONCRETE PAVERS
AT EXISTING CURBED ISLAND NO SCALE



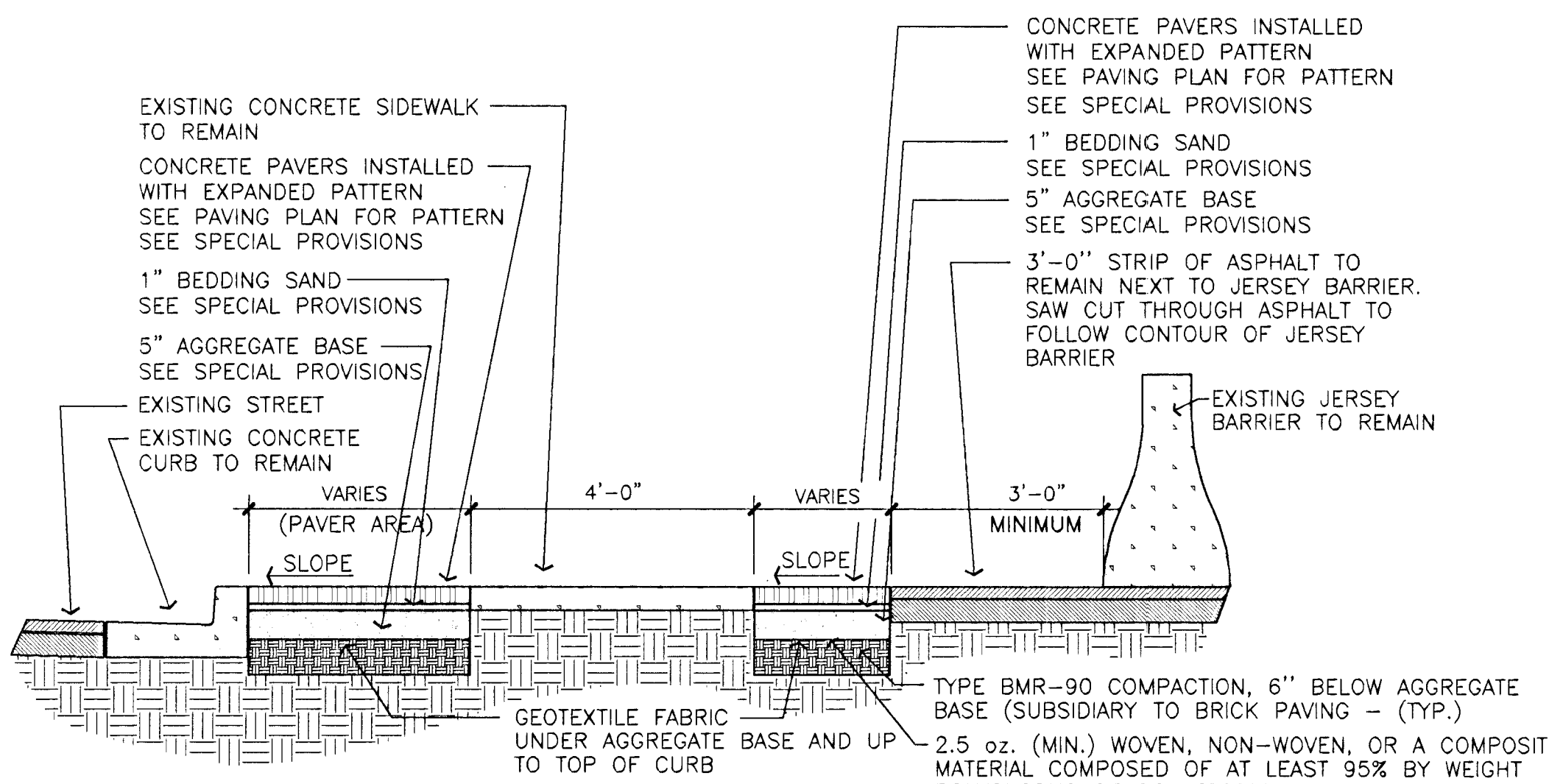
4 CONCRETE PAVERS
AT EXISTING JERSEY BARRIER NO SCALE



5 NEW TURF AREA
NEXT TO EXISTING ASPHALT NO SCALE



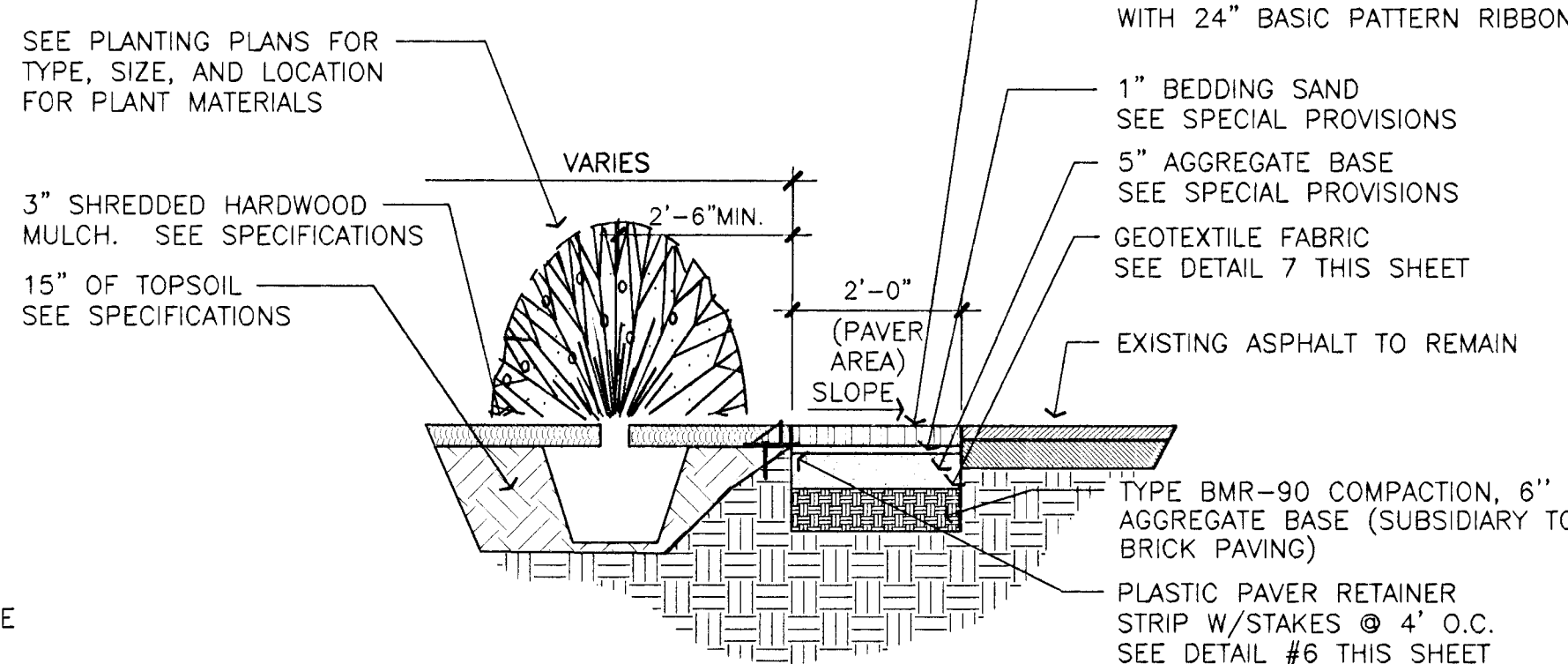
6 CONCRETE PAVERS AND PLANTING BED
AT EXISTING BRIDGE OVERPASS NO SCALE



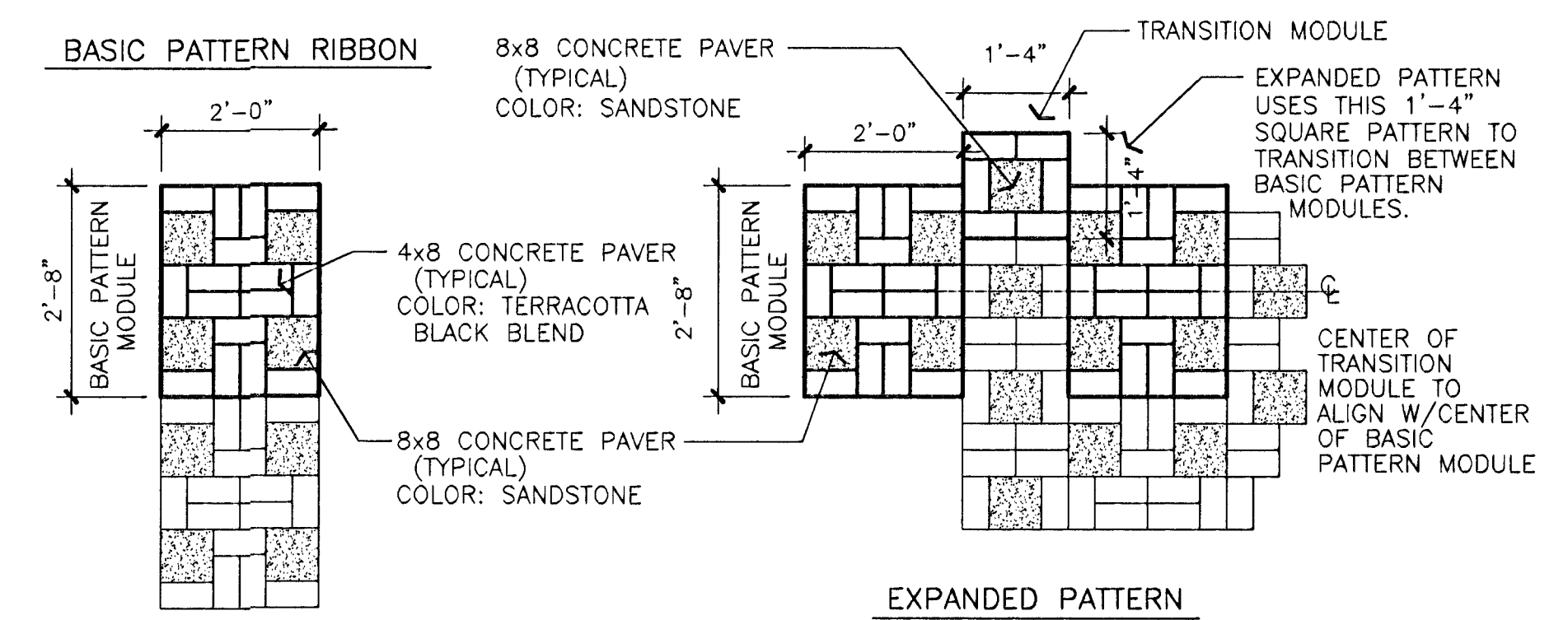
7 CONCRETE PAVERS
AT EXISTING JERSEY BARRIER WITH CONCRETE SIDEWALK NO SCALE

SEE SHEET 17 FOR RECAP FOR THE FOLLOWING BID ITEMS:

BRICK PAVING	SQ. YDS.
PIPE UNDERDRAINS (4") (TYPE H)	LIN. FT.
PIPE UNDERDRAINS (4") (TYPE K)	LIN. FT.



8 CONCRETE PAVERS AND PLANTING BED
NEXT TO EXISTING ASPHALT NO SCALE



9 CONCRETE PAVER PATTERNS
BASIC PATTERN RIBBON AND EXPANDED PATTERN NO SCALE

4" x 8" CONCRETE PAVER
MANUFACTURE - PAVESTONE CO. (214)404-0400
STYLE - HOLLAND STONE IV
SIZE - 2-3/8" x 3-15/16" x 7-15/16"
COLOR - TERRACOTTA BLACK BLEND

8" x 8" CONCRETE PAVER
MANUFACTURE - PAVESTONE CO. (214)404-0400
STYLE - CITY SQUARE
SIZE - 2-3/8" x 8" x 8"
COLOR - SANDSTONE

KANSAS DEPARTMENT OF TRANSPORTATION
**KELLOGG AND WEST STREET
CONCRETE PAVER SECTIONS
AND DETAIL**
PROJECT NO. #101221

Wilson Darnell Mann
architecture site planning interiors
Wichita, Kansas

DESIGNED BY: WDM, PA	CHECKED BY: LME
DRAWN BY: SKW	DATE: 7/31/97 SHEET 16 OF 43