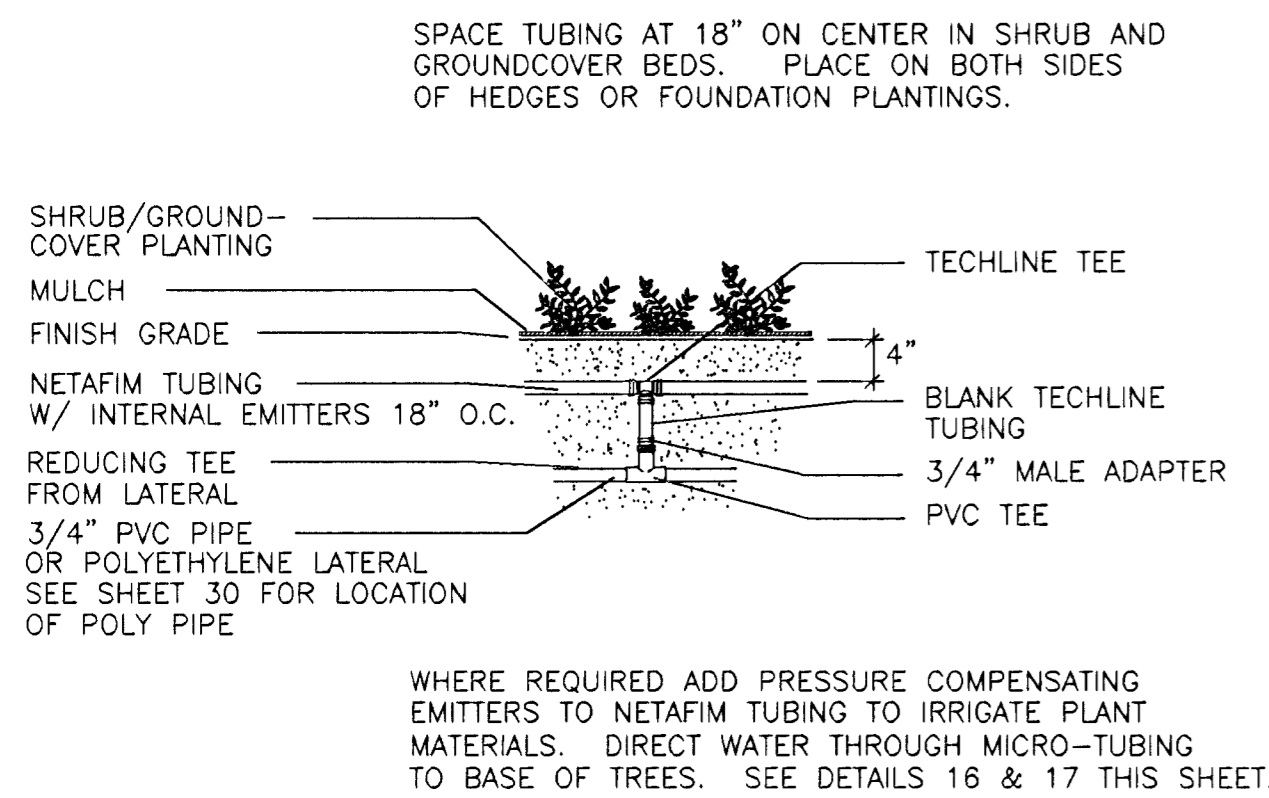
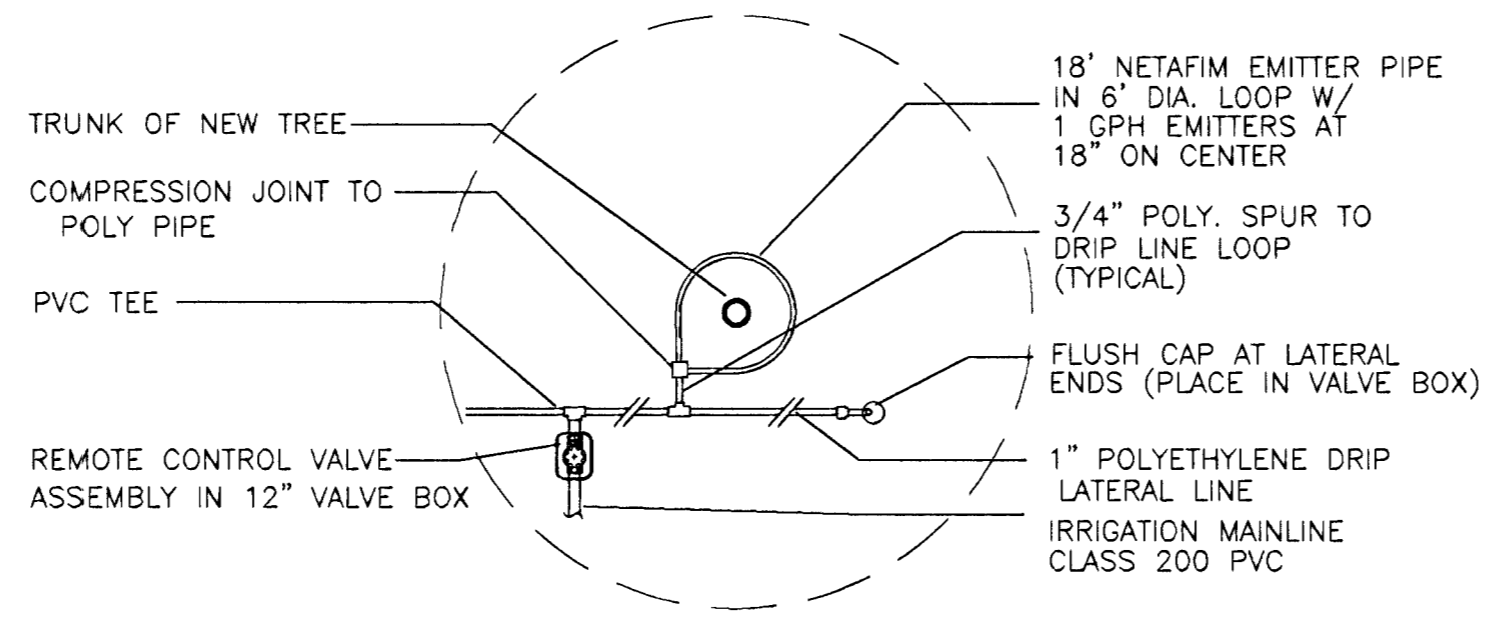


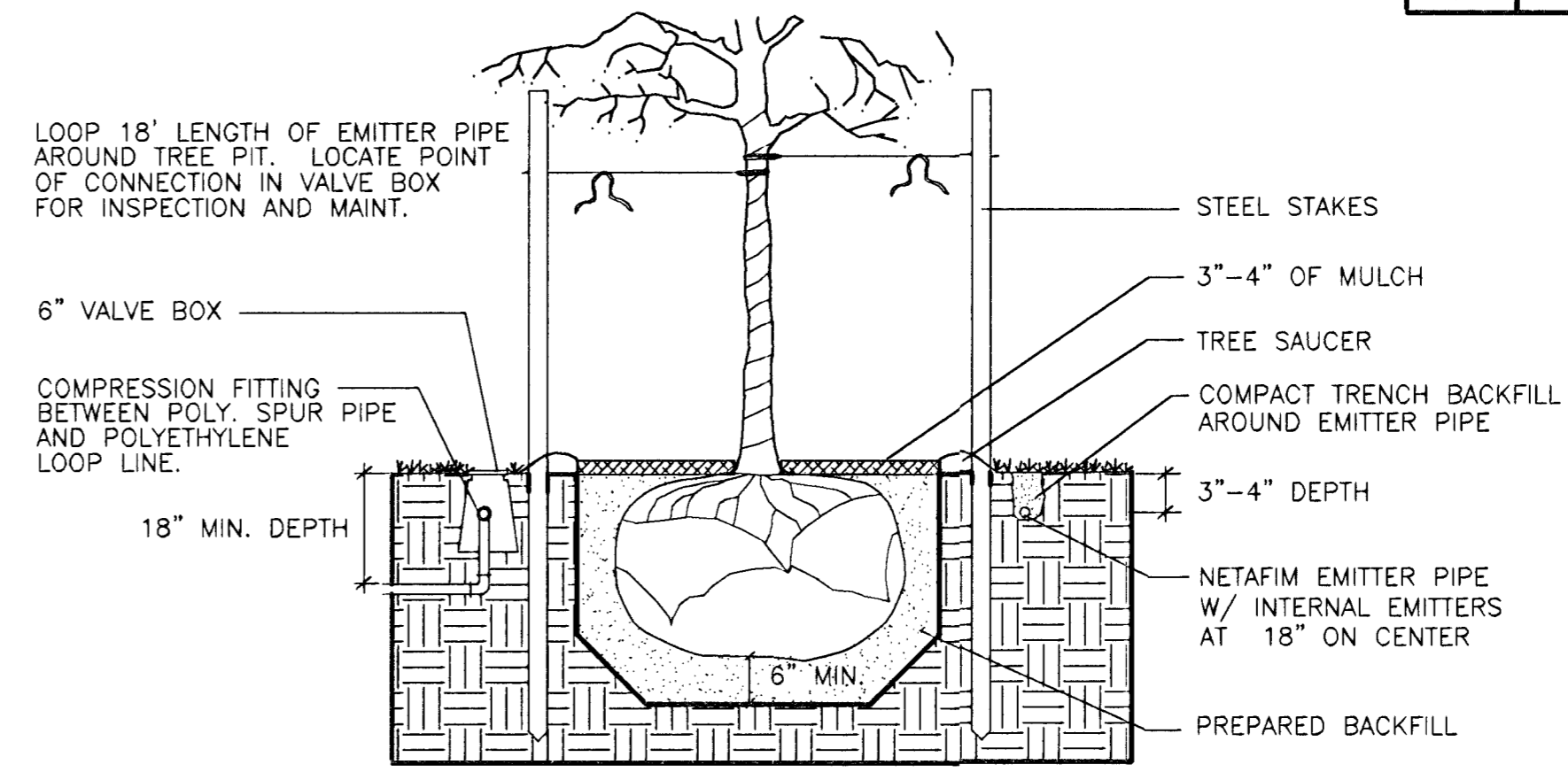
FHWA REG NO.	STATE	PROJECT NO.	YEAR	SHEET NO.	SHEETS
7	KANSAS	54-87-TE-0039-01	1997	36	43



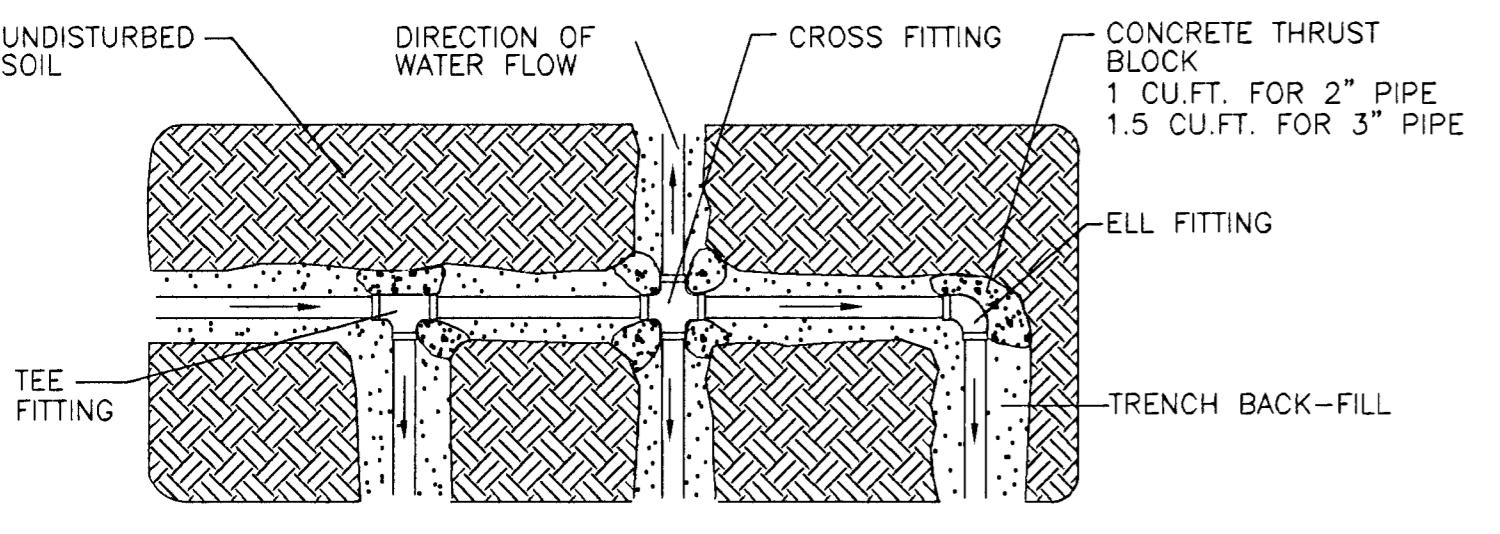
**12** TECHLINE DRIP TUBE CONNECTION  
NO SCALE



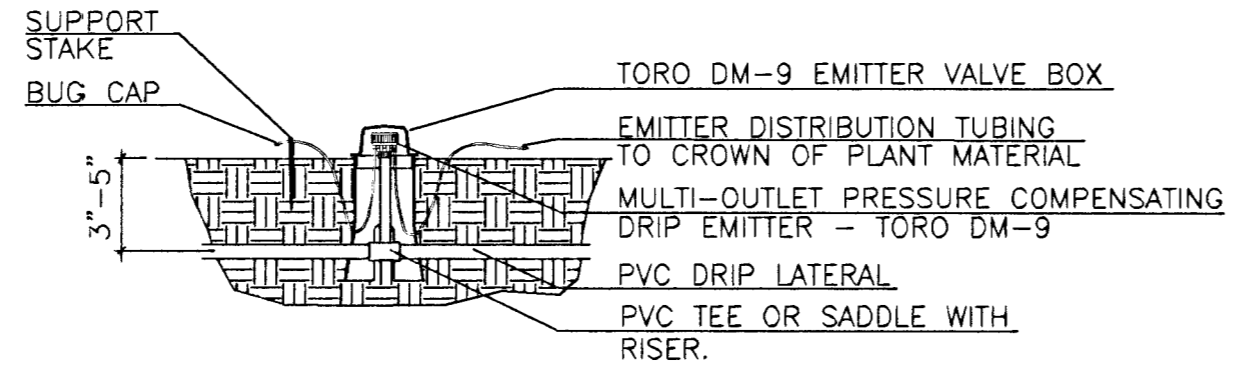
**13** NETAFIM DRIPLINE LAYOUT AT NEW TREES  
NO SCALE



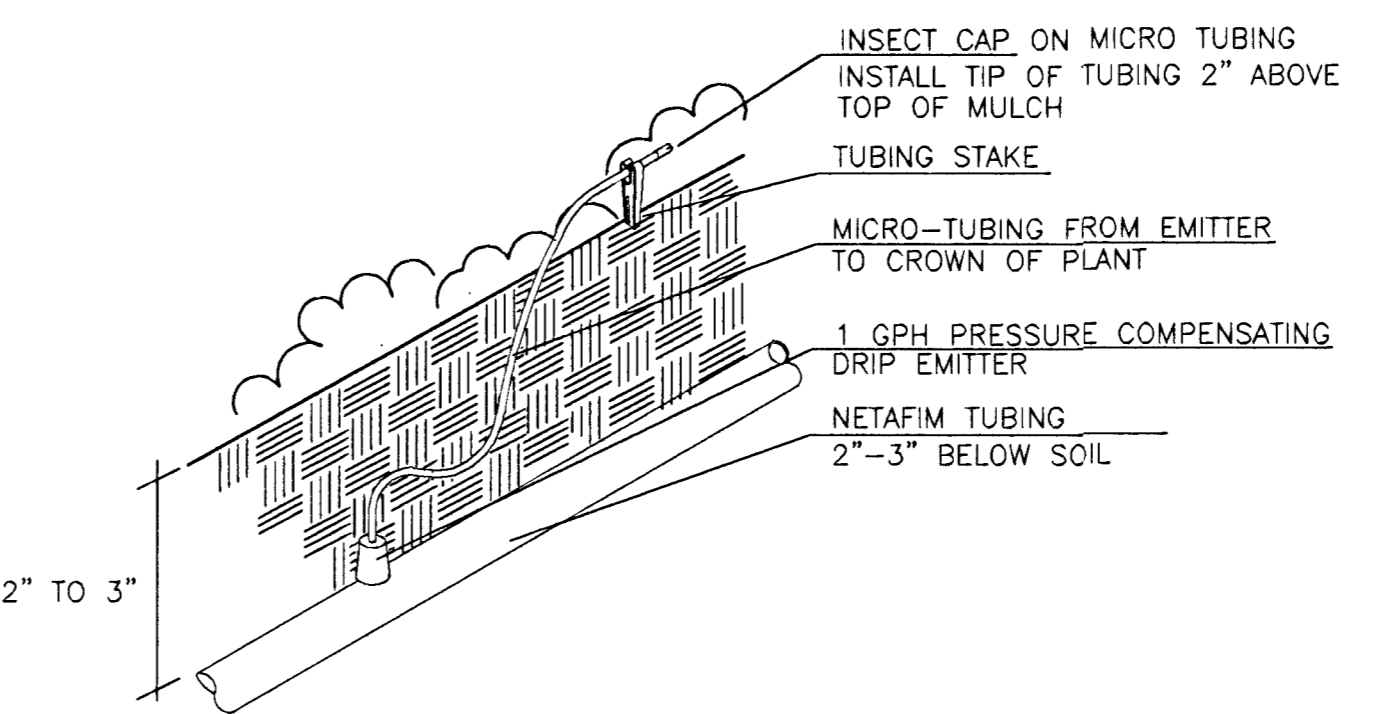
**14** NETAFIM DRIPLINE LOOP AT NEW TREES - SECTION  
DRIPLINE IRRIGATION ZONES ONLY  
NO SCALE



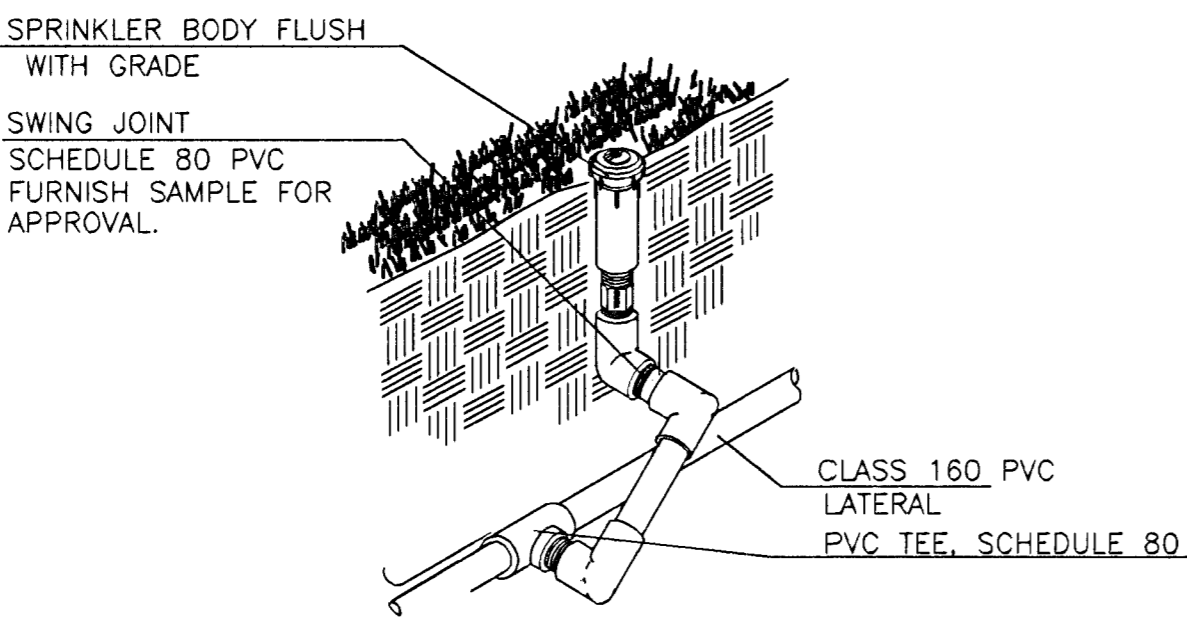
**15** CONCRETE THRUST BLOCKS AT MAINLINE  
BOTH DRIP IRRIGATION MAINLINES AND IRRIGATION MAINLINES  
NO SCALE



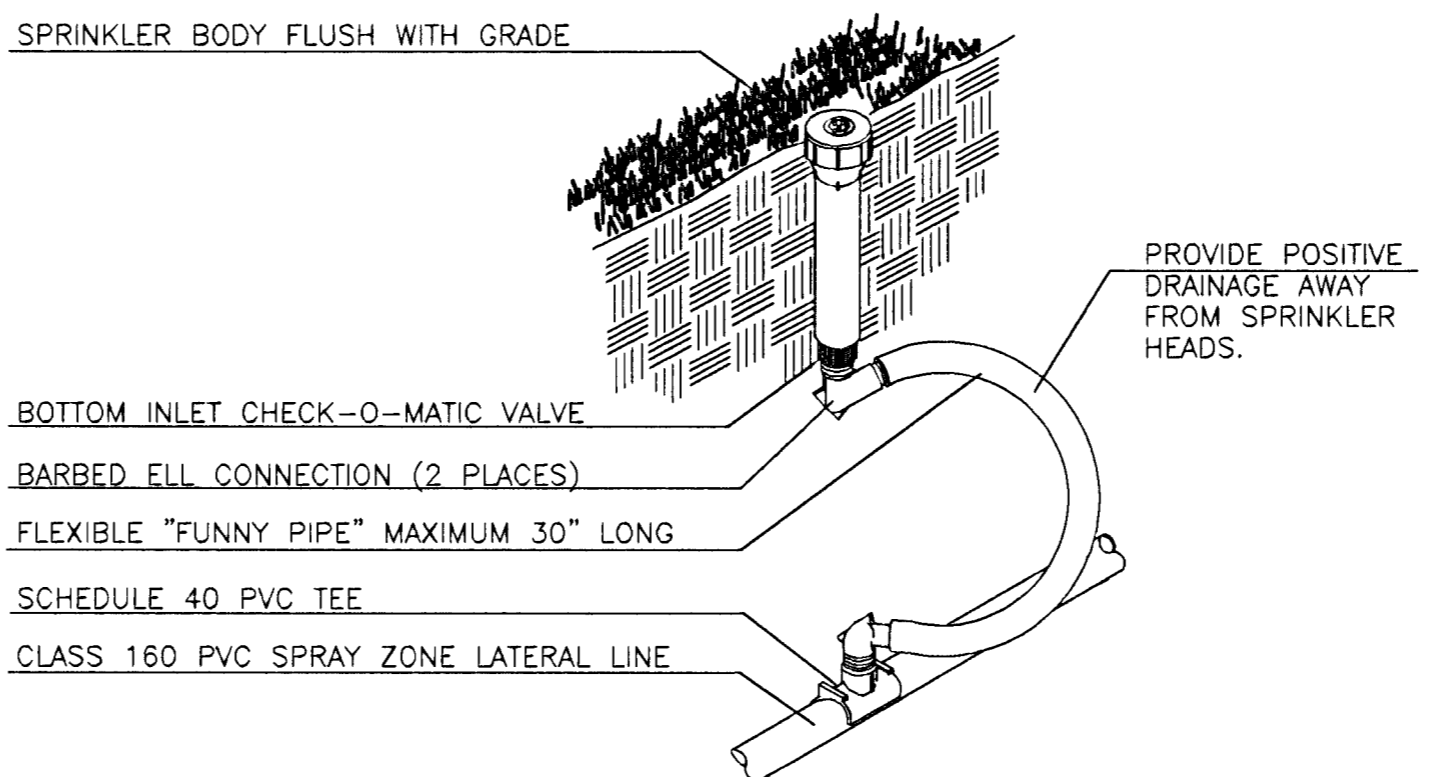
**16** MULTI-OUTLET EMITTER INSTALLATION  
SEE SHEETS 21 & 22 FOR LOCATIONS USING THIS DETAIL  
NO SCALE



**17** SINGLE DRIP EMITTER IN POLYETHYLENE PIPE  
SEE SHEETS 21 & 22 FOR LOCATIONS USING THIS DETAIL  
NO SCALE



**18** S700 SERIES LAWN STREAM ROTOR SPRINKLER WITH CHECK-O-MATIC CHECK VALVE  
NO SCALE



**19** 570Z SERIES 4" POP-UP SPRAY SPRINKLER WITH CHECK-O-MATIC CHECK VALVE  
NO SCALE

**SUMMARY OF TYPES OF PIPE AND TUBING**

MAINLINE - CLASS 200 PVC  
 LATERAL LINE - CLASS 160 PVC  
 LATERAL LINE - POLYETHYLENE (USE IN PLACE OF CLASS 160 PVC IN LIMITED LOCATIONS SHOWN ON SHEET 30)  
 DRIP MAINLINE - CLASS 160 PVC  
 NETAFIM - DRIP IRRIGATION LINE HAVING 1 GPH INTERNAL EMITTER SPACED 18" ON CENTER. NETAFIM IS NORMALLY SHOWN WITH A WAVY LINE PATTERN ON THE IRRIGATION PLANS.

**SPECIAL NOTE** - DETAILS 12 AND 16 ON THIS SHEET SHOW THE USE OF NETAFIM WITH INTERNAL AND EXTERNAL EMITTERS. THE EXTERNAL EMITTERS ADD ADDITIONAL WATERING CAPACITY FOR THE TREES. LOCATED NETAFIM WITH EXTERNAL EMITTERS IN LOCATIONS SHOWN ON THE IRRIGATION PLANS.

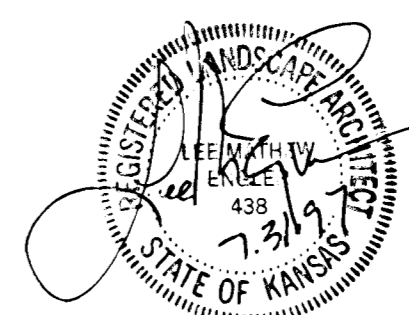
**FUNNY PIPE** - USE FUNNY PIPE AS MANUFACTURED BY TORO ONLY FOR SPRAY HEADS AS SHOWN ON DETAIL 19, THIS SHEET. LIMIT FUNNY PIPE TO A MAXIMUM OF 30". PROVIDE POSITIVE DRAINAGE AWAY FROM SPRINKLER HEADS.

**EMITTER DISTRIBUTION TUBING** - COORDINATE SIZE OF TUBING WITH SIZE OF STAKES AND EMITTER OUTLETS.

KANSAS DEPARTMENT OF TRANSPORTATION  
 KELLOGG AND WEST STREET  
 IRRIGATION DETAILS  
 PROJECT NO. # 101227

**Wilson Darnell Mann**  
 architecture site planning interiors  
 Wichita, Kansas

DESIGNED BY: WDM, PA  
 CHECKED BY: LME  
 DRAWN BY: SKW  
 DATE: 7/31/97  
 SHEET 36 OF 43



3-31-95  
 E:\94082\IRRIGDITL  
 NONE