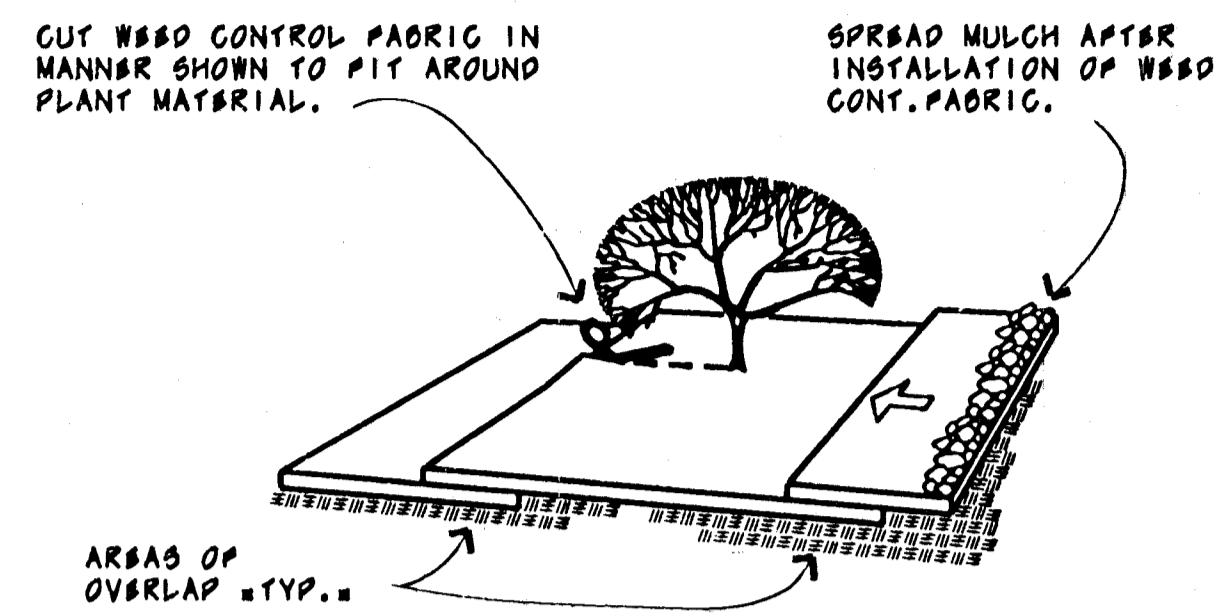


SHRUB PLANTING DETAIL

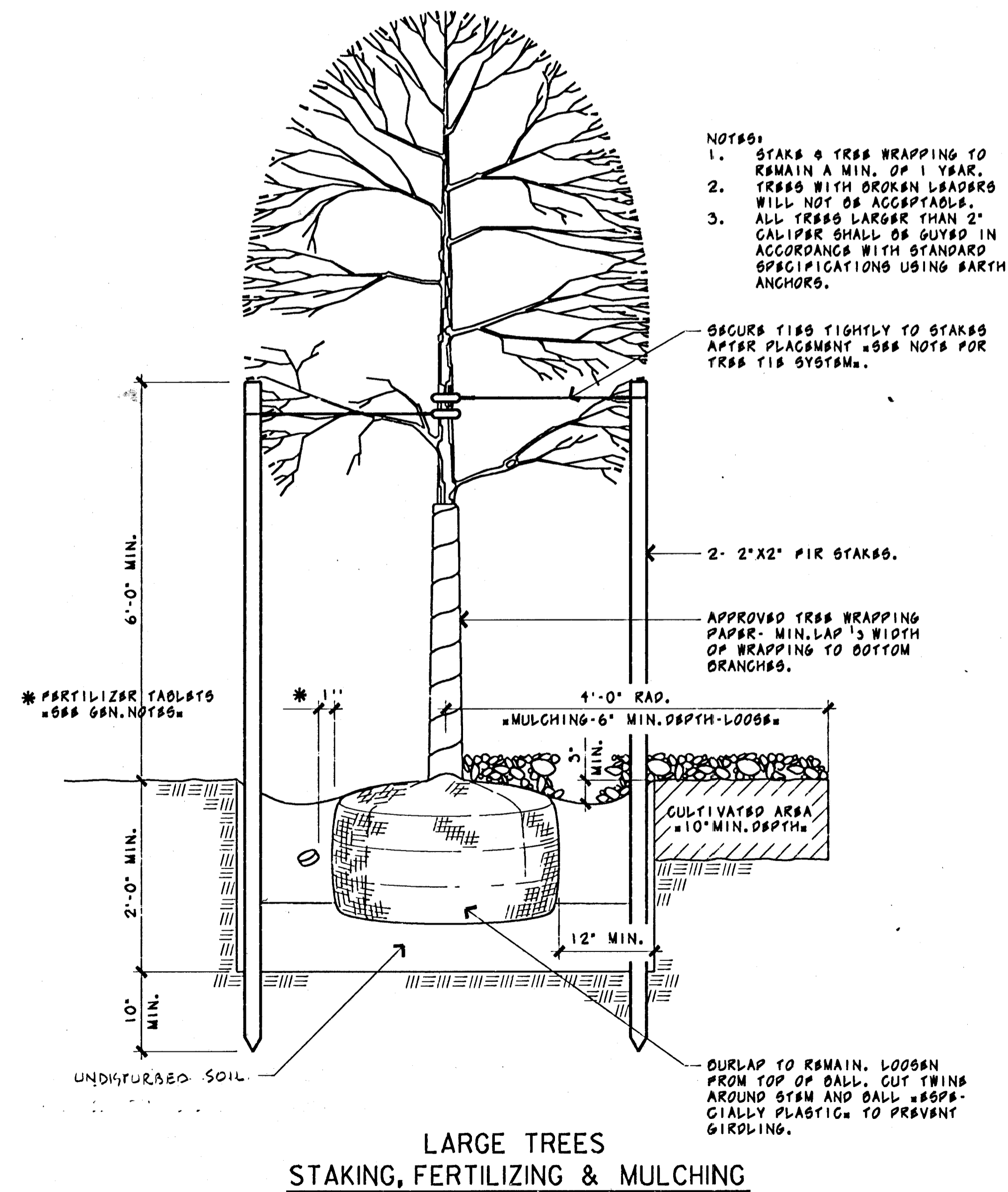


INSTALLATION OF WEED CONTROL FABRIC DETAIL

SPACING 'D'	ROW 'A'	NUMBER OF PLANTS	AREA
6' O.C.	5.2'	4.61	1 sq. ft.
12' O.C.	10.4'	1.15	1 sq. ft.
16' O.C.	15.6'	5.12	10 sq. ft.
24' O.C.	20.8'	2.91	10 sq. ft.
30' O.C.	26.0'	1.05	10 sq. ft.
36' O.C.	31.2'	1.20	10 sq. ft.

PLANT SPACING CHART

POTTED VINES & GROUND COVER PLANTS SHALL BE AT LEAST ONE YEAR OLD AND SHALL HAVE BEEN GROWN IN POTS LONG ENOUGH TO INSURE SUFFICIENT ROOT GROWTH TO HOLD SOIL IN PLACE AND RETAIN THE ORIGINAL SHAPE WHEN REMOVED FROM THE POT. VINES SHALL HAVE A MINIMUM OF 4 RUNNERS, 12" LONG.

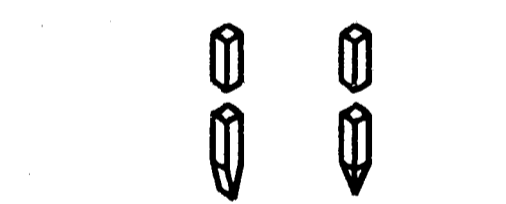


LARGE TREES STAKING, FERTILIZING & MULCHING

STAKING DECIDUOUS AND EVERGREEN TREES

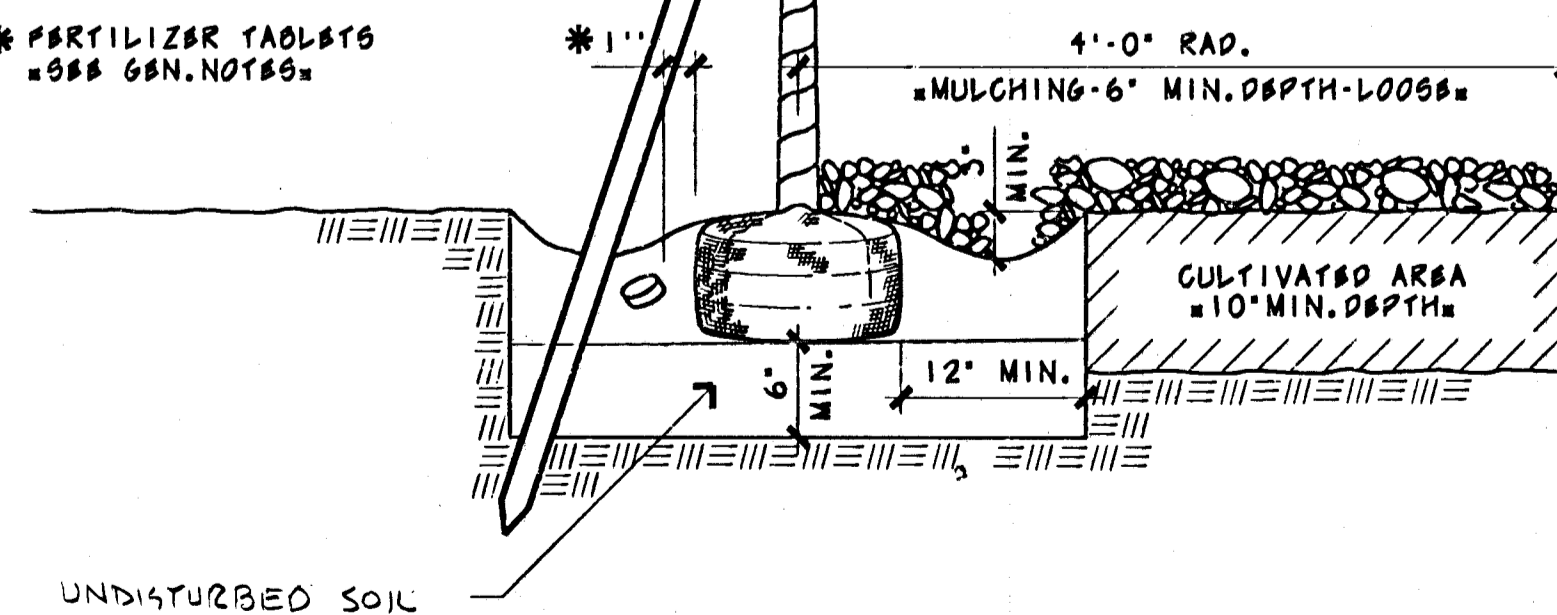
TREE	STAKE SIZE
6'-0"	2" X 2" X 6' MIN.
4'-6"	2" X 2" X 6' MIN.
3'-4"	2" X 2" X 5' MIN.

STAKES SHALL BE MIN. GRADE NO. 1 COMMON, SHARPENED AS SHOWN WITH 2 OR 4 DIAGONAL CUTS REQUIRED.

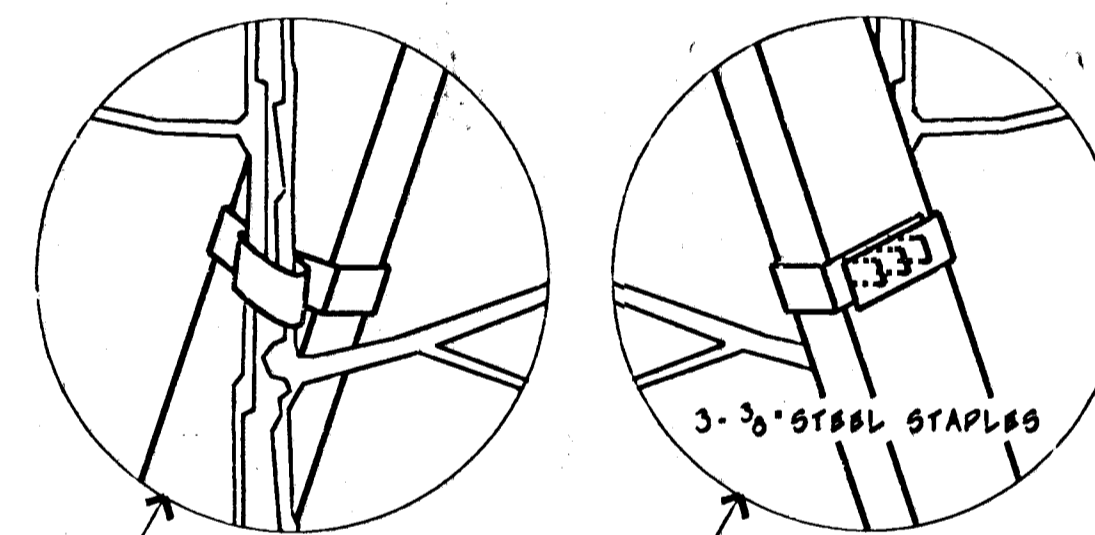


NOTES:
 1. WRAP THE TRUNK TO THE HEIGHT OF THE FIRST BRANCH WITH 2-PLY TREE WRAPPING PAPER & SECURE WITH STRETCHABLE PLASTIC ELECTRICIANS TAPS OR STEEL YARN AT TOP AND BOTTOM OF ALL TREES.

* FERTILIZER TABLETS = SEE GEN. NOTES



EVERGREENS OR ORNAMENTAL TREES STAKING, FERTILIZING & MULCHING



TREE TIE DETAIL

NOTES:
 1-1" X 15" MIN. VINYL IMPREGNATED WOVEN NYLON TIE PER TREE. OTHER TREE TIE METHODS AND MATERIALS MAY BE USED IF APPROVED BY THE ENGINEER.

TREE TIE SYSTEM:

(a) Contractor shall use an approved tree tie system that is easily adjustable, strong in all weather, and easily attached and removed. Hose and wire are not acceptable for staked trees. Provide the following or approved equal:

*Cinch Ties, J. Lichtenhaler
 P.O. Box 938
 Cerritos, CA 90701

*AdJ-A-Tie, Heavyweight only,
 a plastic chain twist tie.

*Plastic Binder Tie, tie with tapered beads that snap lock.
 A.M. Leonard and Sons
 Piqua, Ohio 43356

(b) Provide screw type earth anchors in conjunction with tree guying system. Minimum anchor size shall be 2" Helix, 2" x 3/8" shaft, 1-1/2" dia. eye.

(c) Furnishing and installation of tree ties shall not be paid directly, but shall be Subsidiary to planting trees.

Drawn By: ross
 DGN File: /usr/rossmat/refstds/ldssht.dgn View: PLOT3
 Plotted: 07-AUG-1992 13:58

3				
2				
1				
NO.	DATE	REVISIONS	BY	APP'D

KANSAS DEPARTMENT OF TRANSPORTATION

ROADSIDE IMPROVEMENT

PLANTING DETAILS

STD. NO. 860

DESIGNED	RDR	APPROVAL	7-21-92	APP'D	Richard D. Ross
DESIGN CR.	CLM	DETAIL CR.	CLM	QUANTITIES	TRACED
					TRACE CR.