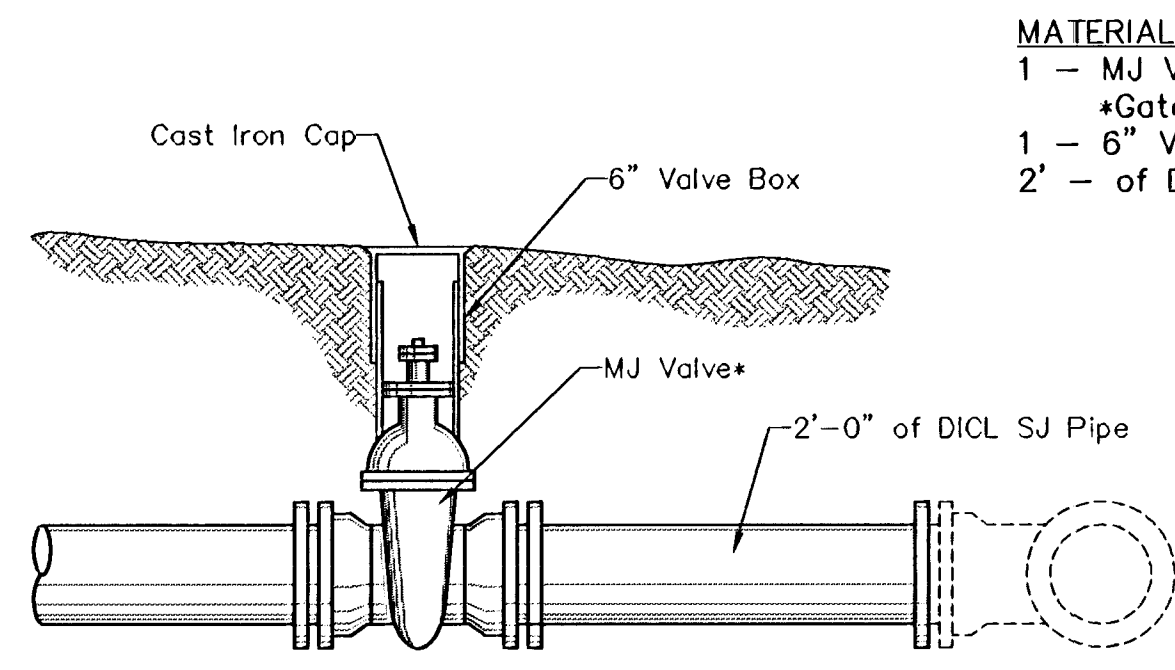


- MATERIALS LIST**  
 1 - MJ Valve  
 \*Gate or Butterfly  
 1 - 6" Valve Box  
 2 - Ring Tight Couplings  
 2 - MJ Bell Adaptors

**LINE VALVE ASSEMBLY**

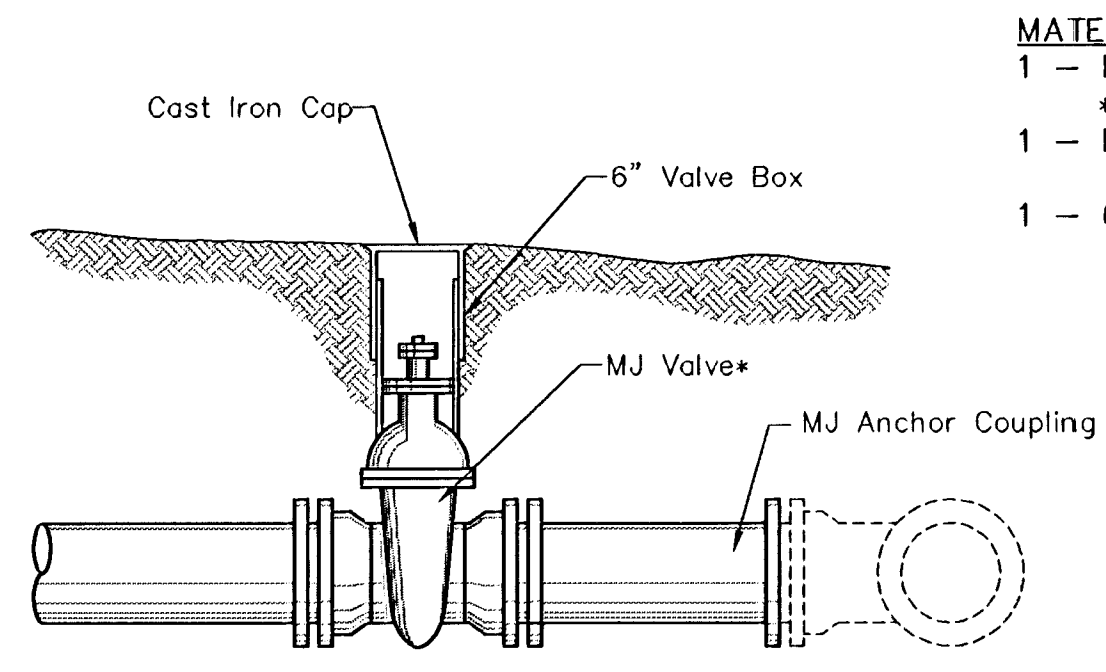
\* See Plans for the Type of Valve to be Used.



- MATERIALS LIST**  
 1 - MJ Valve  
 \*Gate or Butterfly  
 1 - 6" Valve Box  
 2' - of DI CL SJ Pipe

**VALVE ASSEMBLY**

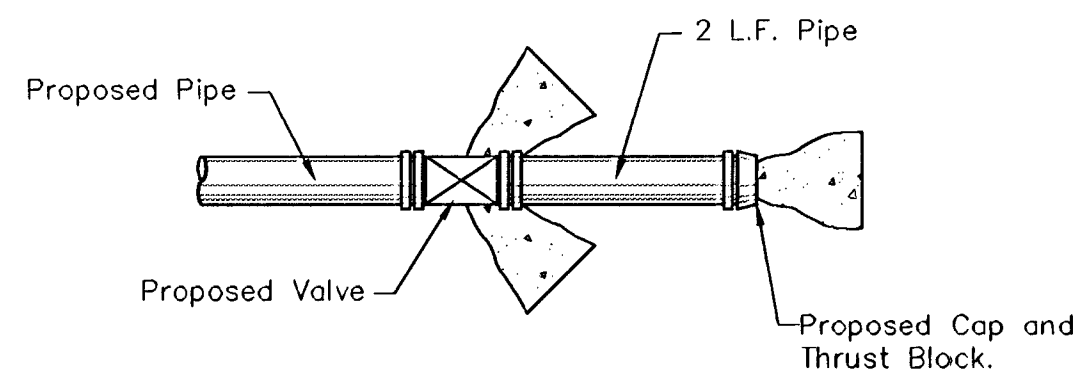
\* See Plans for the Type of Valve to be Used.



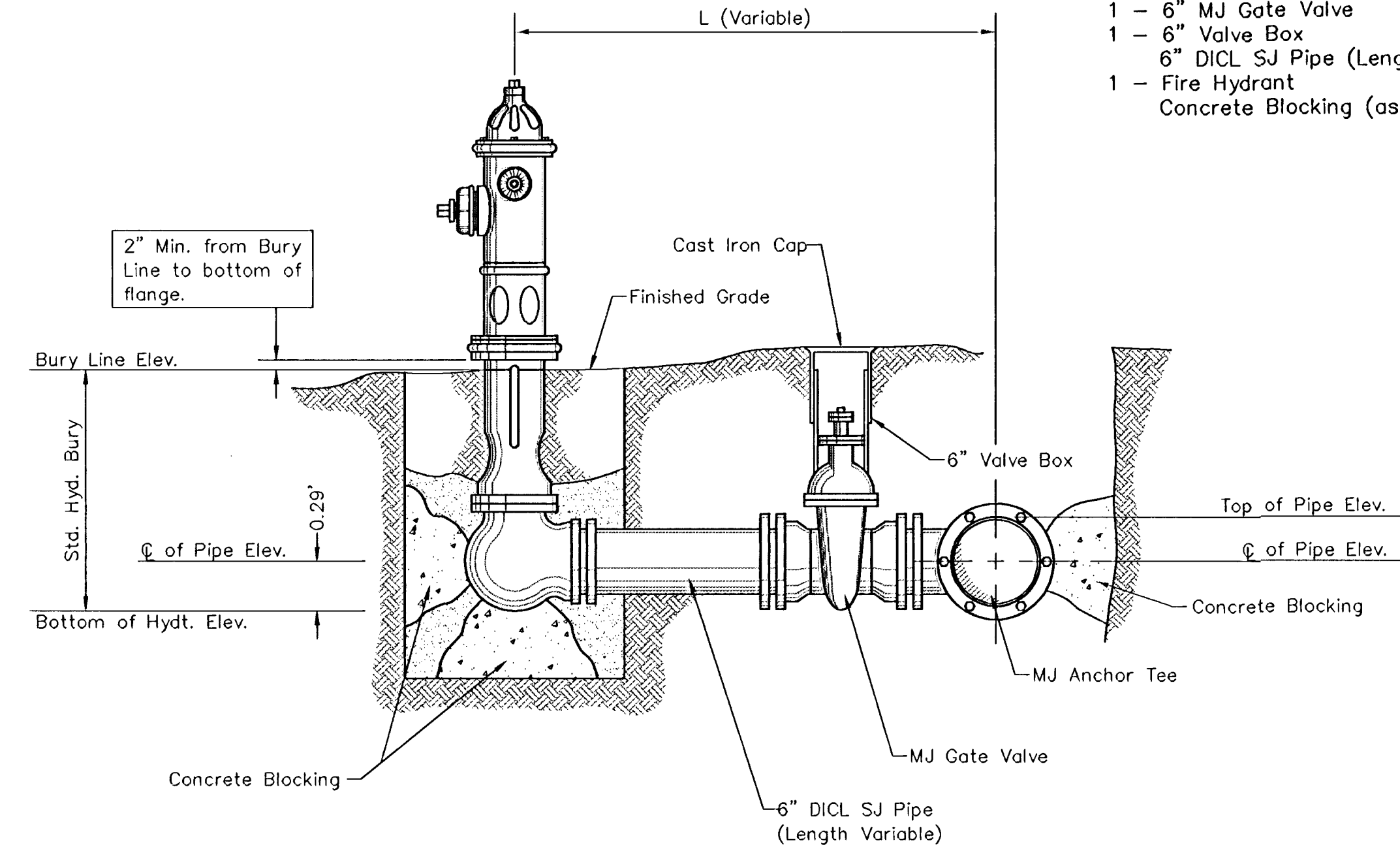
- MATERIALS LIST**  
 1 - MJ Valve  
 \*Gate or Butterfly  
 1 - MJ Anchor Coupling (12" or Smaller)  
 1 - 6" Valve Box

**ANCHORED VALVE ASSEMBLY**

\* See Plans for the Type of Valve to be Used.



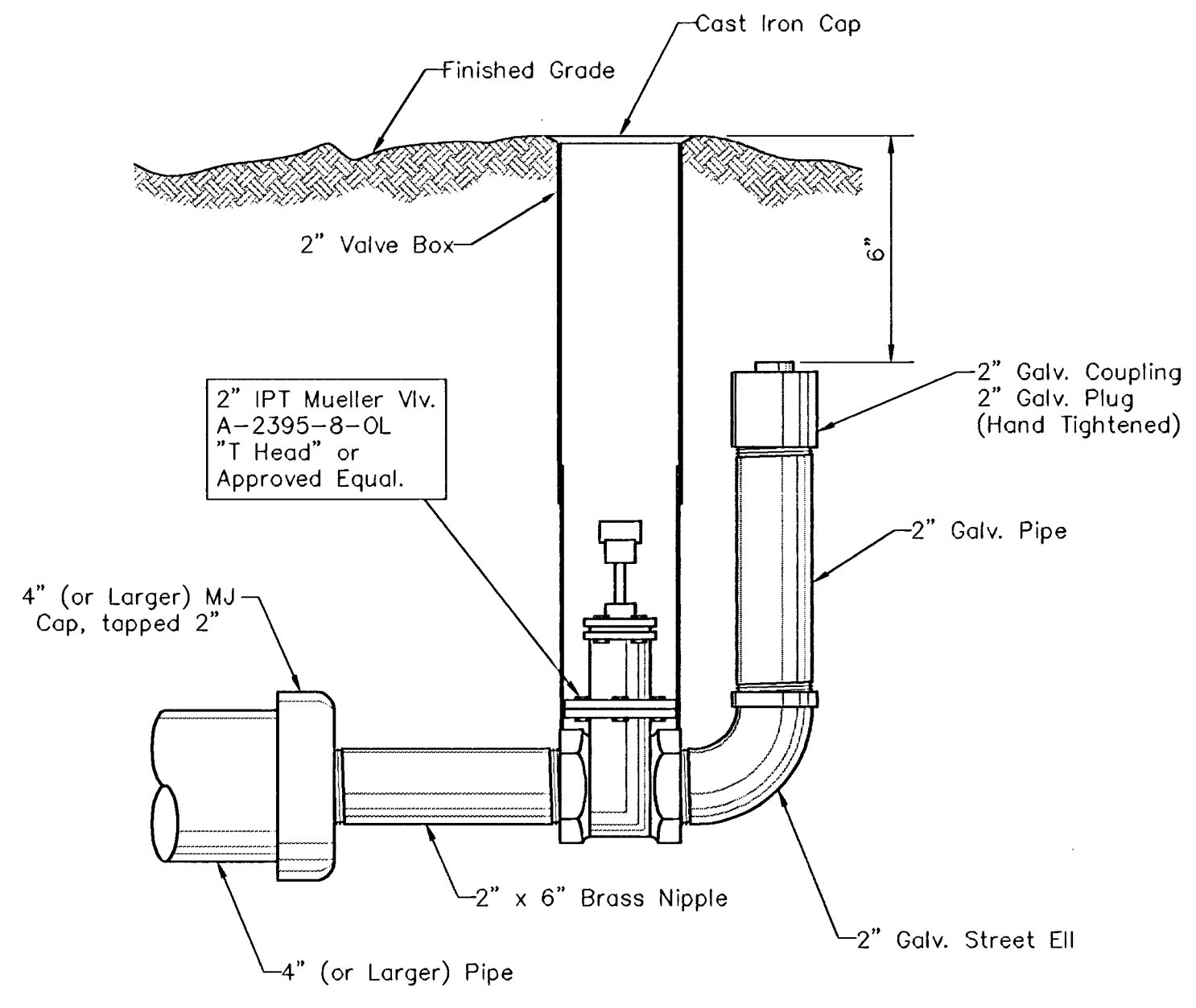
**KEY BLOCK DETAIL**



- MATERIALS LIST**  
 1 - MJ Anchor Tee ("D" x 6")  
 1 - 6" MJ Gate Valve  
 1 - 6" Valve Box  
 6" DI CL SJ Pipe (Length Var.)  
 1 - Fire Hydrant  
 Concrete Blocking (as Needed)

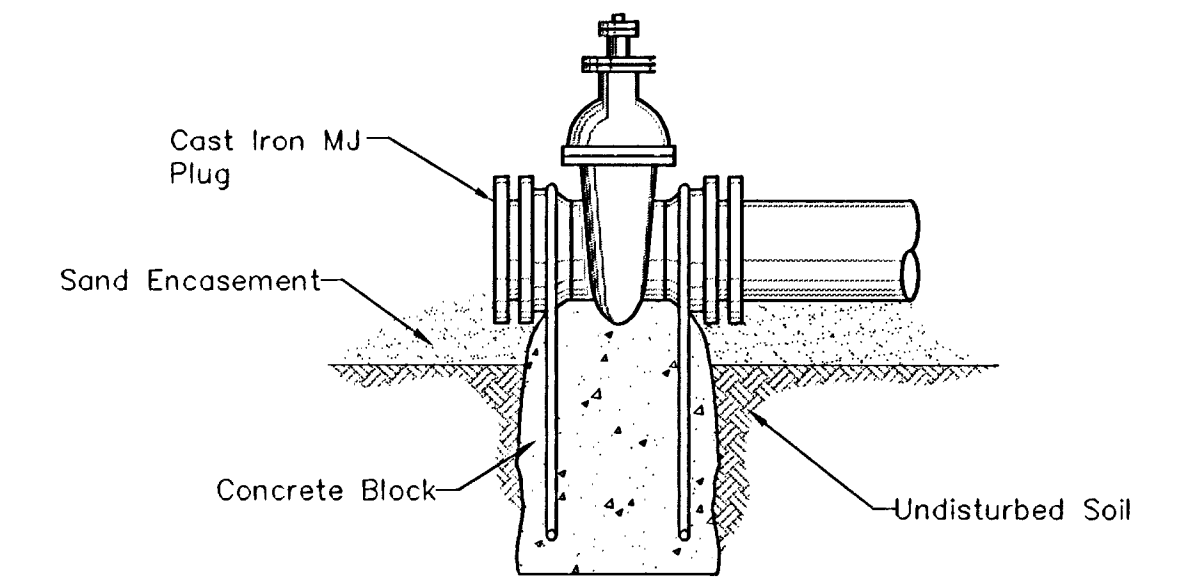
**FIRE HYDRANT ASSEMBLY**

FIRE HYDRANTS REQUIRED				
LINE NO.	STATION	BURY LINE ELEVATION	TOP OF PIPE ELEVATION	FIRE HYDRANT BURY REQ'D
2	4+10	109.85	105.50	4.5'
3	3+83.59	110.00	106.12	4.5'
3	6+67	111.35	107.00	4.5'



- MATERIALS LIST**  
 1 - 2" Valve Box  
 1 - CIMJ Cap  
 1 - 2" x 6" Brass Nipple  
 1 - 2" IPT Mueller Valve A-2395-8-OL "T Head" or Approved Equal.  
 1 - 2" Galv. Street Ell  
 2" Galv. Pipe (as Req'd)  
 1 - 2" Galv. Coupling  
 1 - 2" Galv. Plug

**2" BLOWOFF ASSEMBLY**



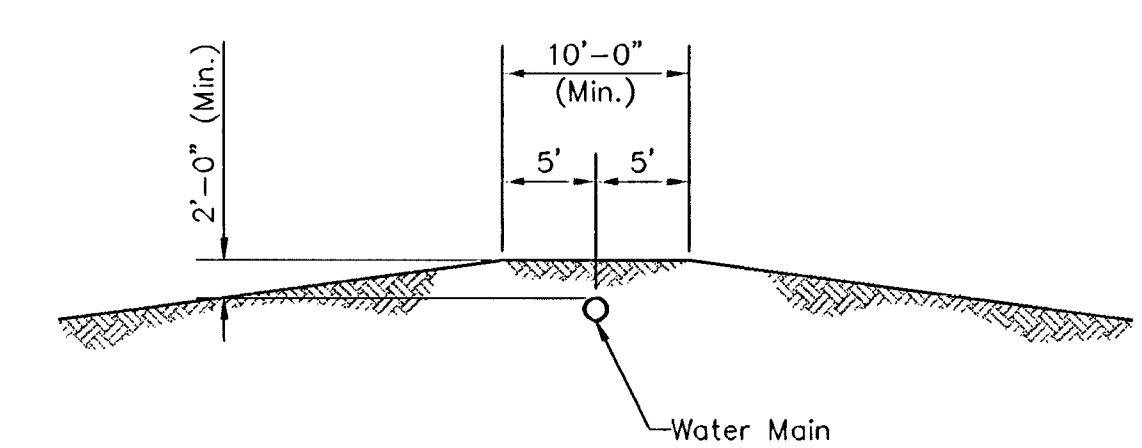
**Notes:**

- Concrete Block of Valve to have sufficient bearing in undisturbed soil to prevent thrust movement as shown in table at right. Field Engineer to determine thrust loading of undisturbed soil and final size of thrust block.
- Provide clearance around flanges to M.J. accessories.
- Valve Block to be included in bid item of concrete for thrust blocks.
- All valves of dead ends and at other locations as called out on the plans shall be blocked as shown here.

THRUST AT VALVES	
VALVE	THRUST @ 150#/in <sup>2</sup>
4"	1,890 lbs.
6"	4,245 lbs.
8"	7,540 lbs.
12"	16,965 lbs.

**THRUST BLOCK DETAIL FOR VALVES**

Per S.E.P. 103.6



**PROTECTIVE FILL DETAIL**

Minimum protective fill shall be provided in all instances where cover over the proposed water line is less than two (2) feet. (cost subsidiary to pipe installation).

REVISED FIRE HYD. LOCATION 5-3-94

**TYPICAL WATER ASSEMBLY DETAILS  
CITY OF WICHITA, KANSAS**

PROJECT NUMBER	INDEX CODE	2
448-88744/88745	630293	3