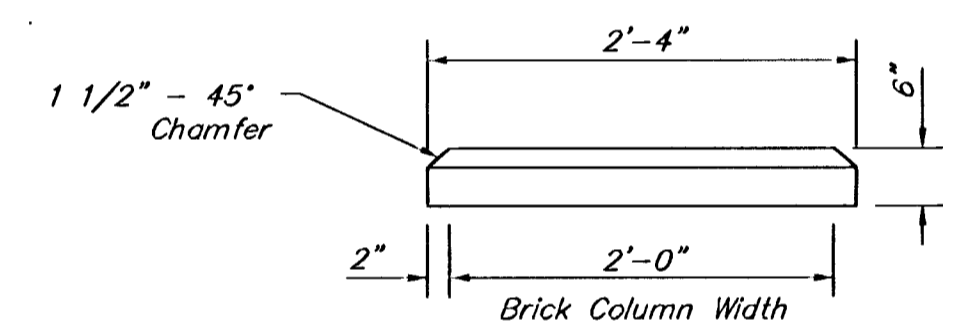
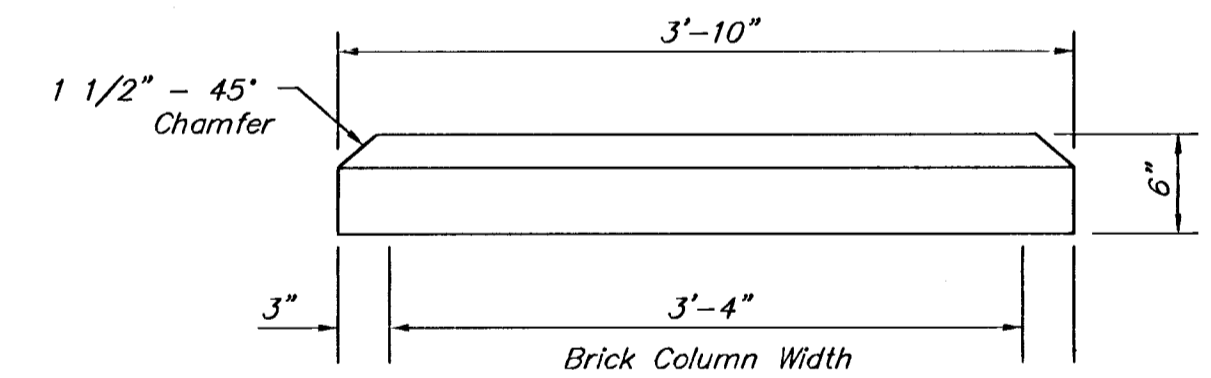


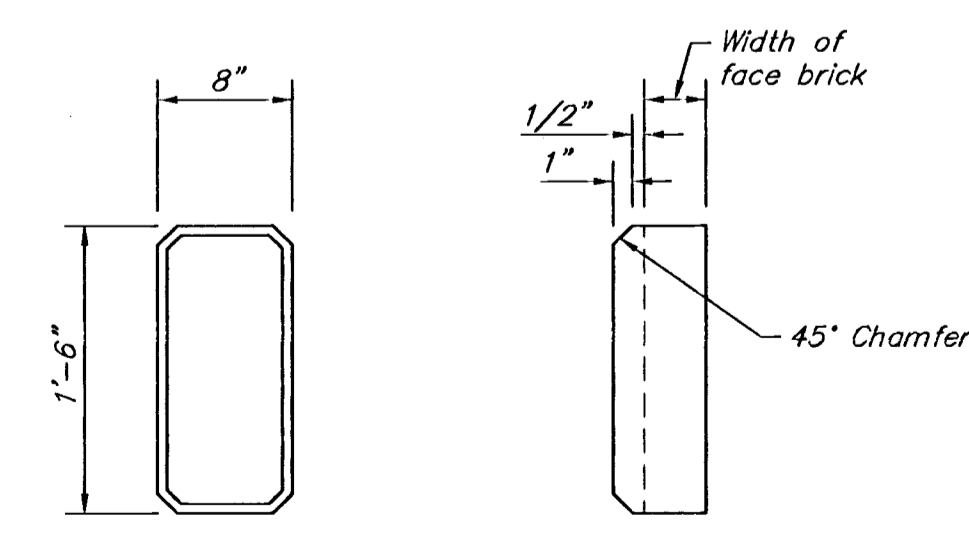
ARCHWAY BETWEEN COLUMN "A" & COLUMN "B"



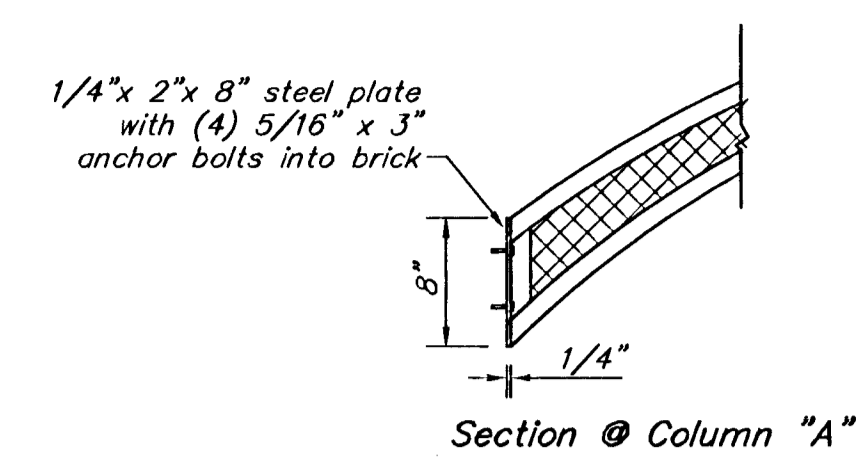
CONCRETE CAP "B"



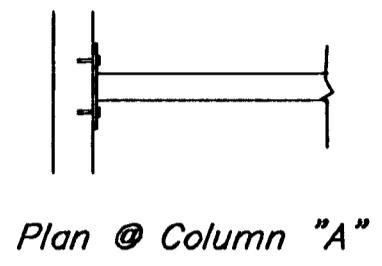
CONCRETE CAP "B"



CONCRETE ORNAMENT COLUMN "B"

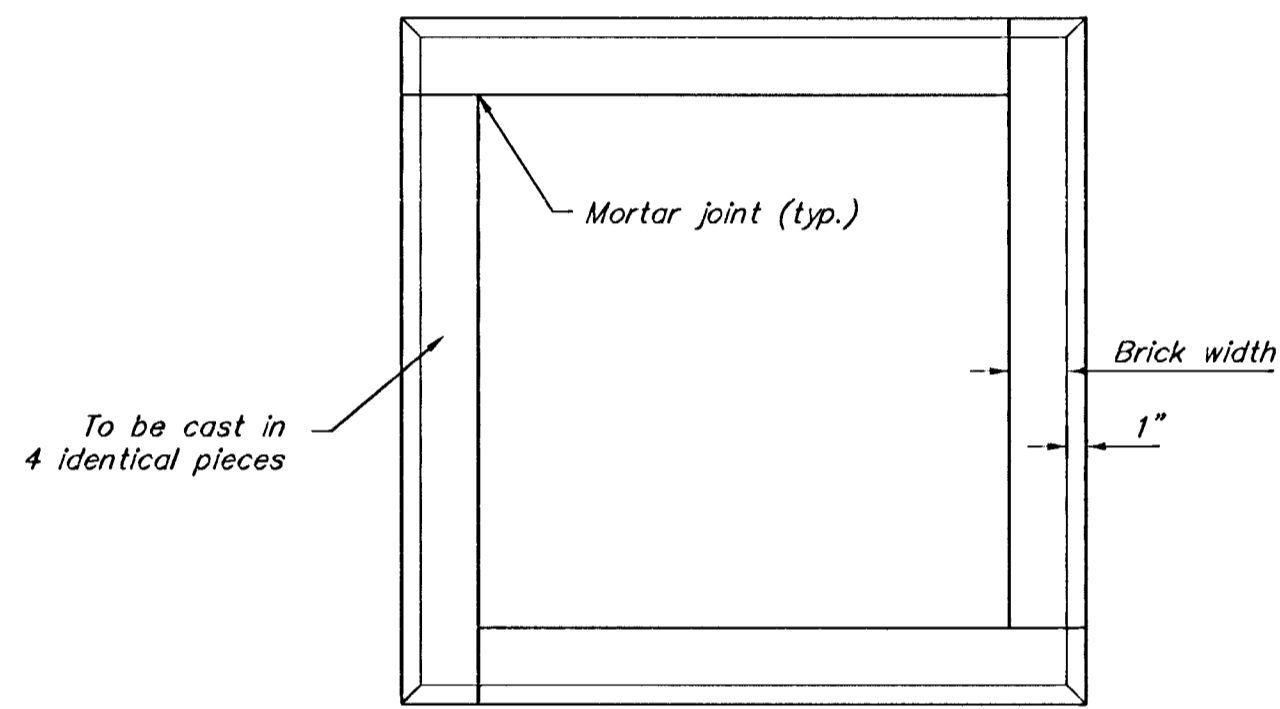


Section @ Column "A"

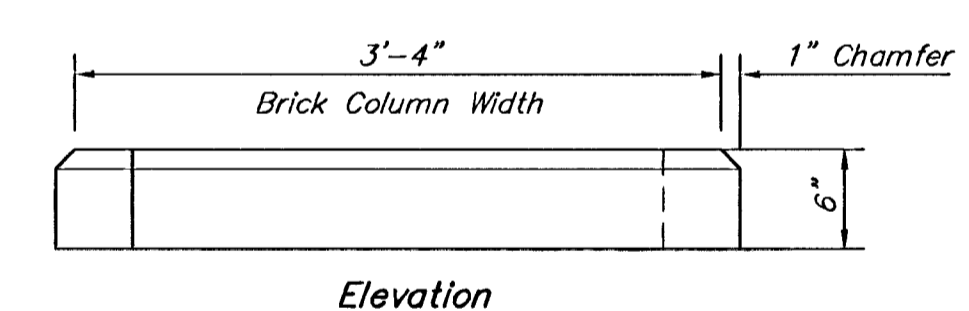


Plan @ Column "A"

SMALL ARCH CONNECTION TO COLUMN "A"

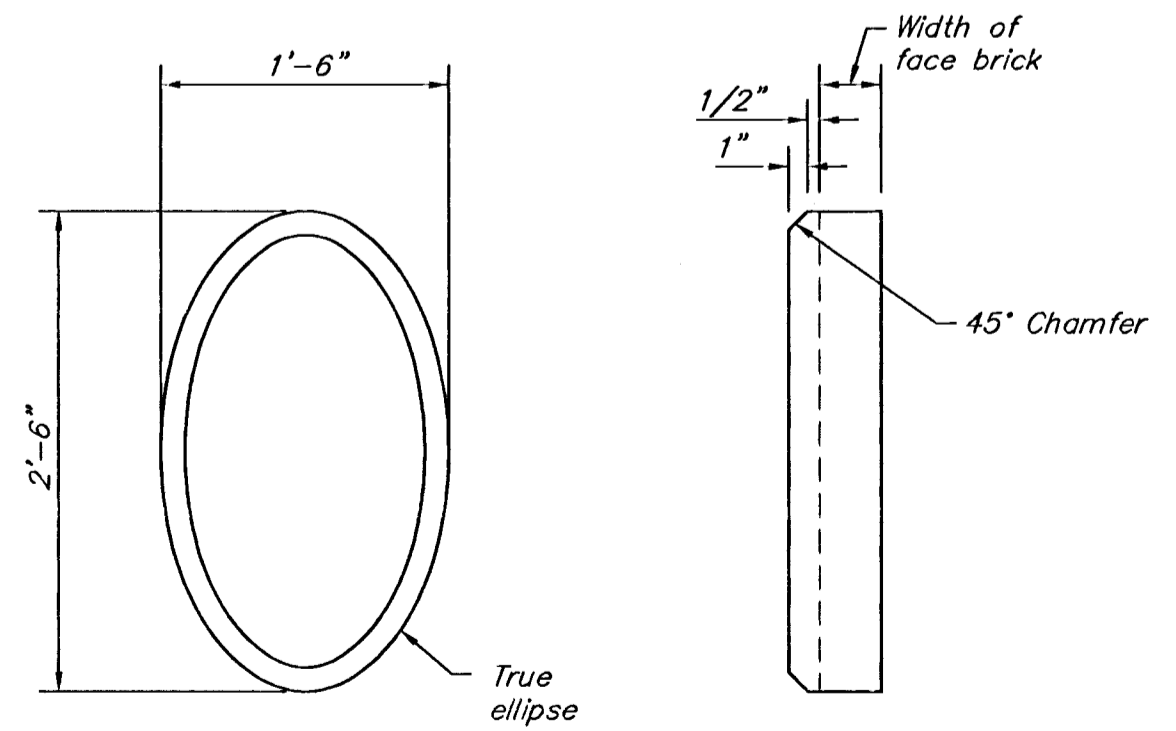


Plan

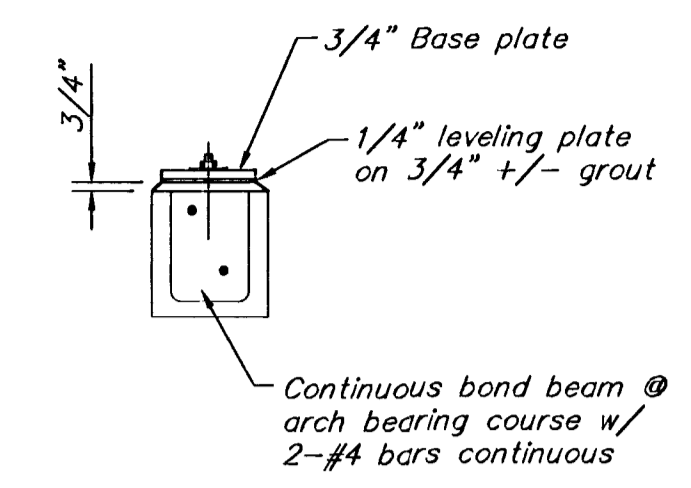


Elevation

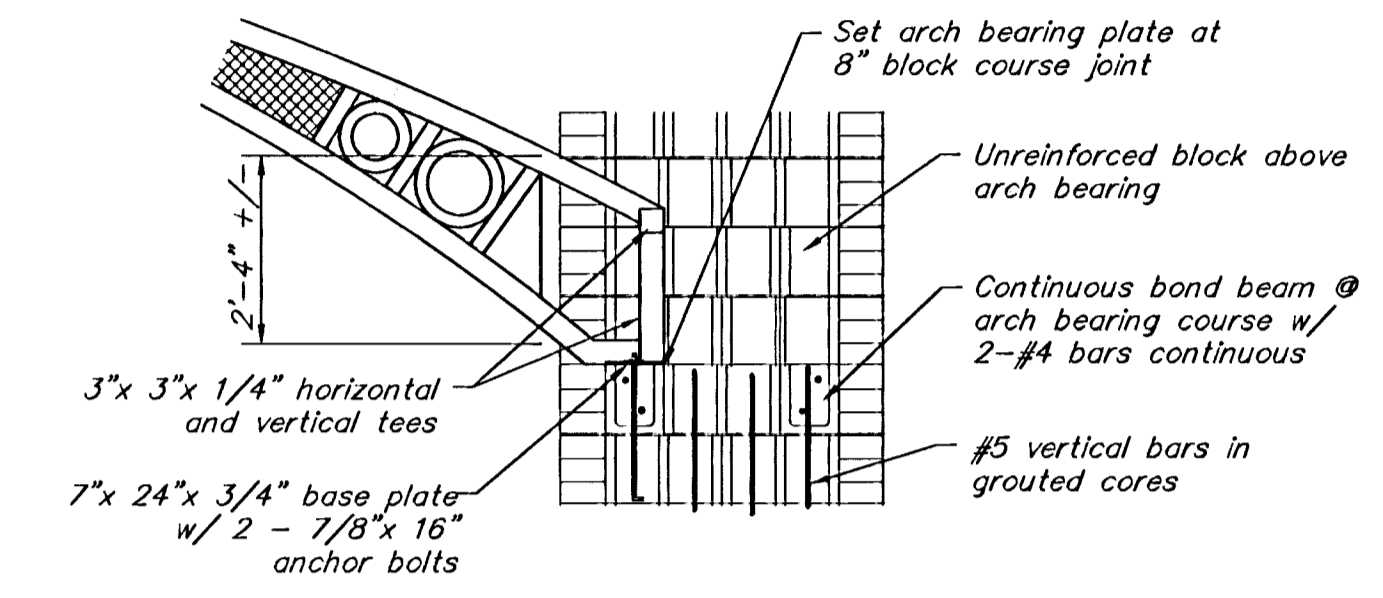
CONCRETE CENTER PIECE COLUMN "A"



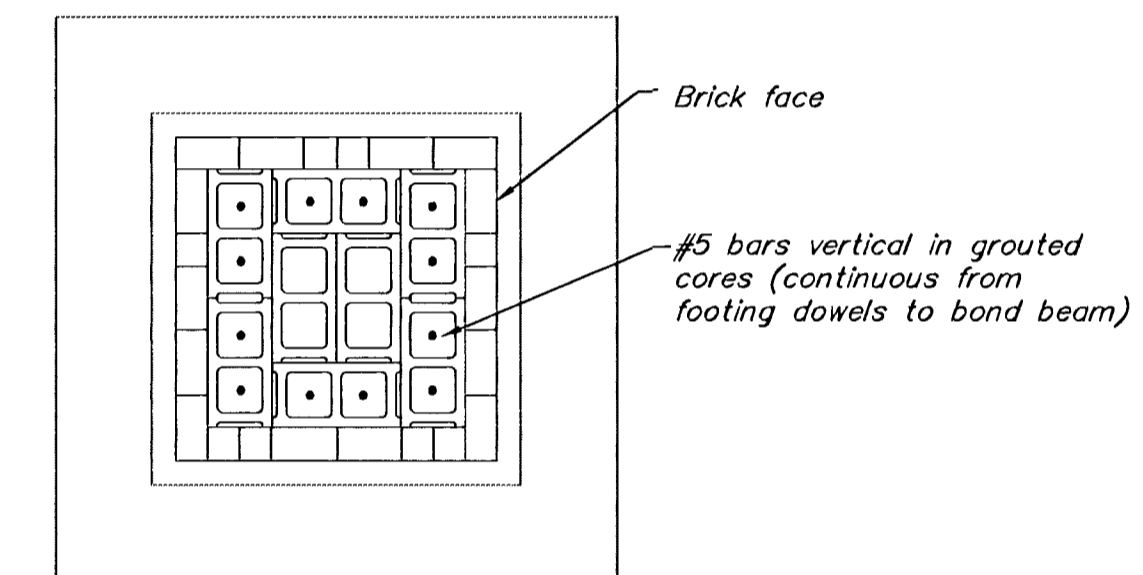
CONCRETE ORNAMENT COLUMN "A"



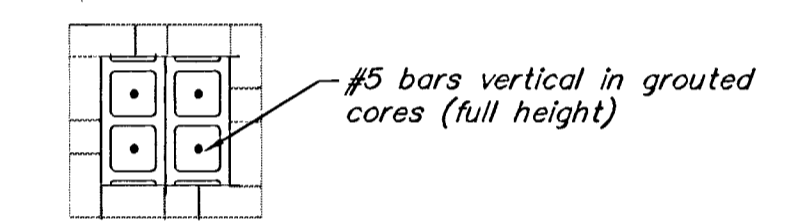
PLAN @ ARCH BEARING



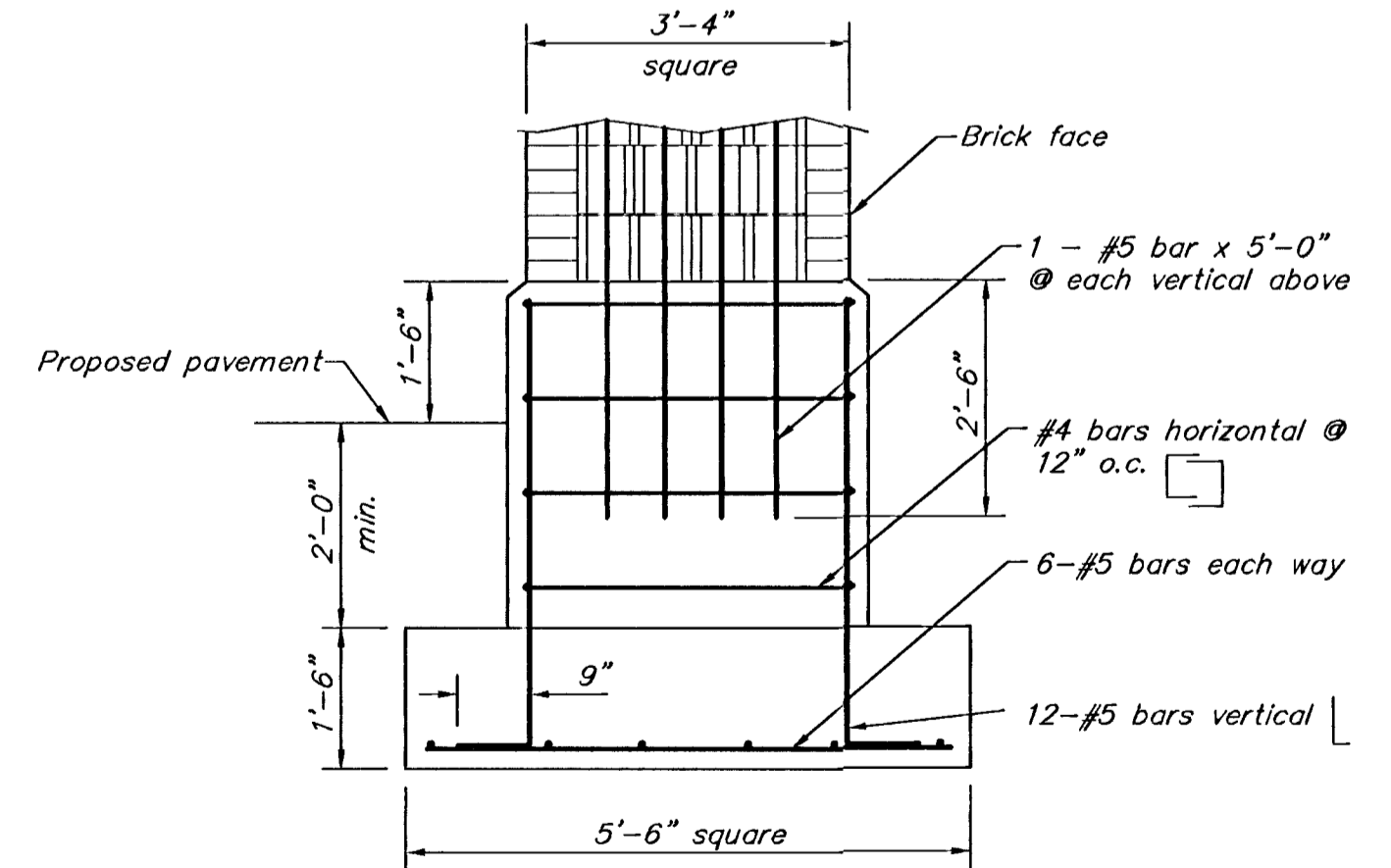
COLUMN SECTION @ ARCH BEARING



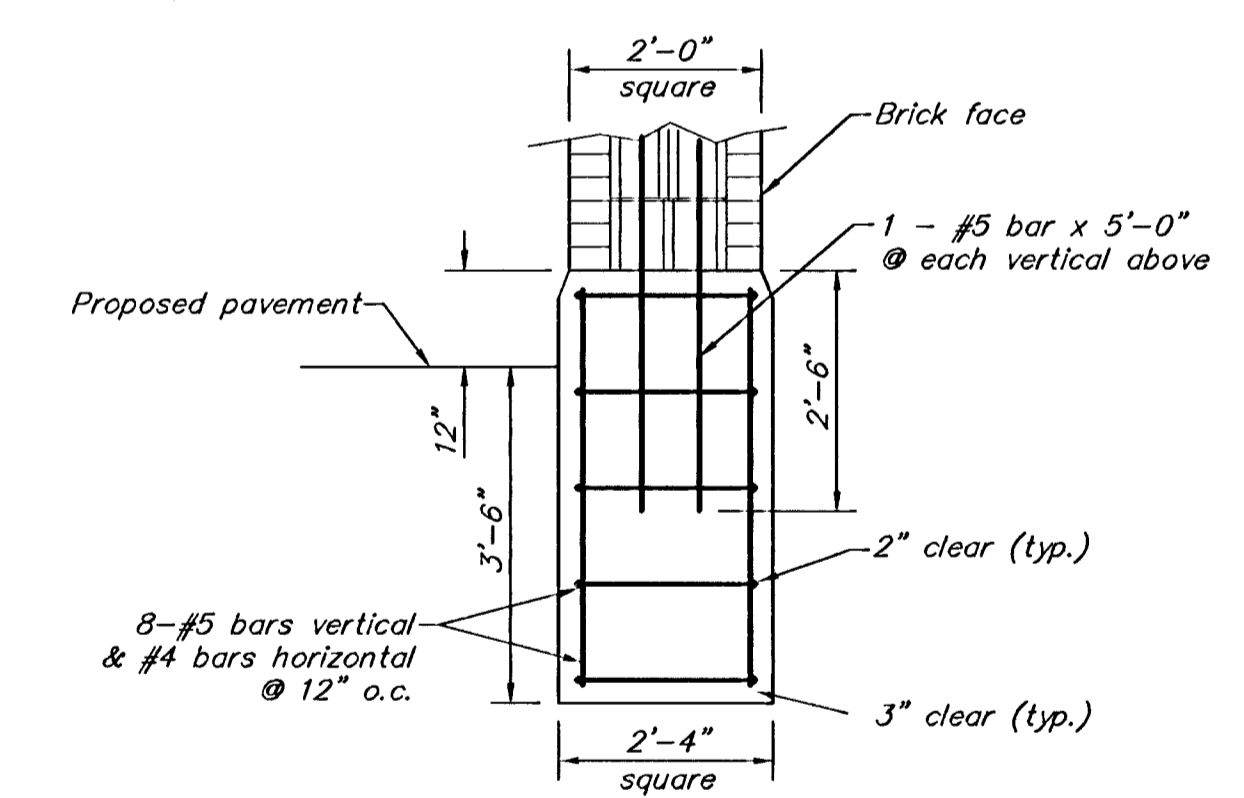
COLUMN "A" BLOCK PLAN



COLUMN "B" BLOCK PLAN



COLUMN SECTION @ FOOTING COLUMN "A"



COLUMN SECTION @ FOOTING COLUMN "B"

ENTRY COLUMNS & ARCHWAY DETAILS
MOSLEY @ SECOND STREET

SRB		841 SOUTH HILLSIDE WICHITA, KANSAS 67211		318-652-7754 FAX 652-7932	
SAVOY, RUGGLES & BOHM, P. A. ENGINEERING & SURVEYING					
PROJECT NUMBERS 472-82374					
DRAWN	DESIGN	REVIEW	DATE	UTILITY	SRB JOB
T. Brooks	TCR		5-3-94		70E

REVISED 5-3-94; ADDED ENTRY FEATURE NOTES