

For Information Only - To be bid as Landscaping & Seeding

SUMMARY OF QUANTITIES

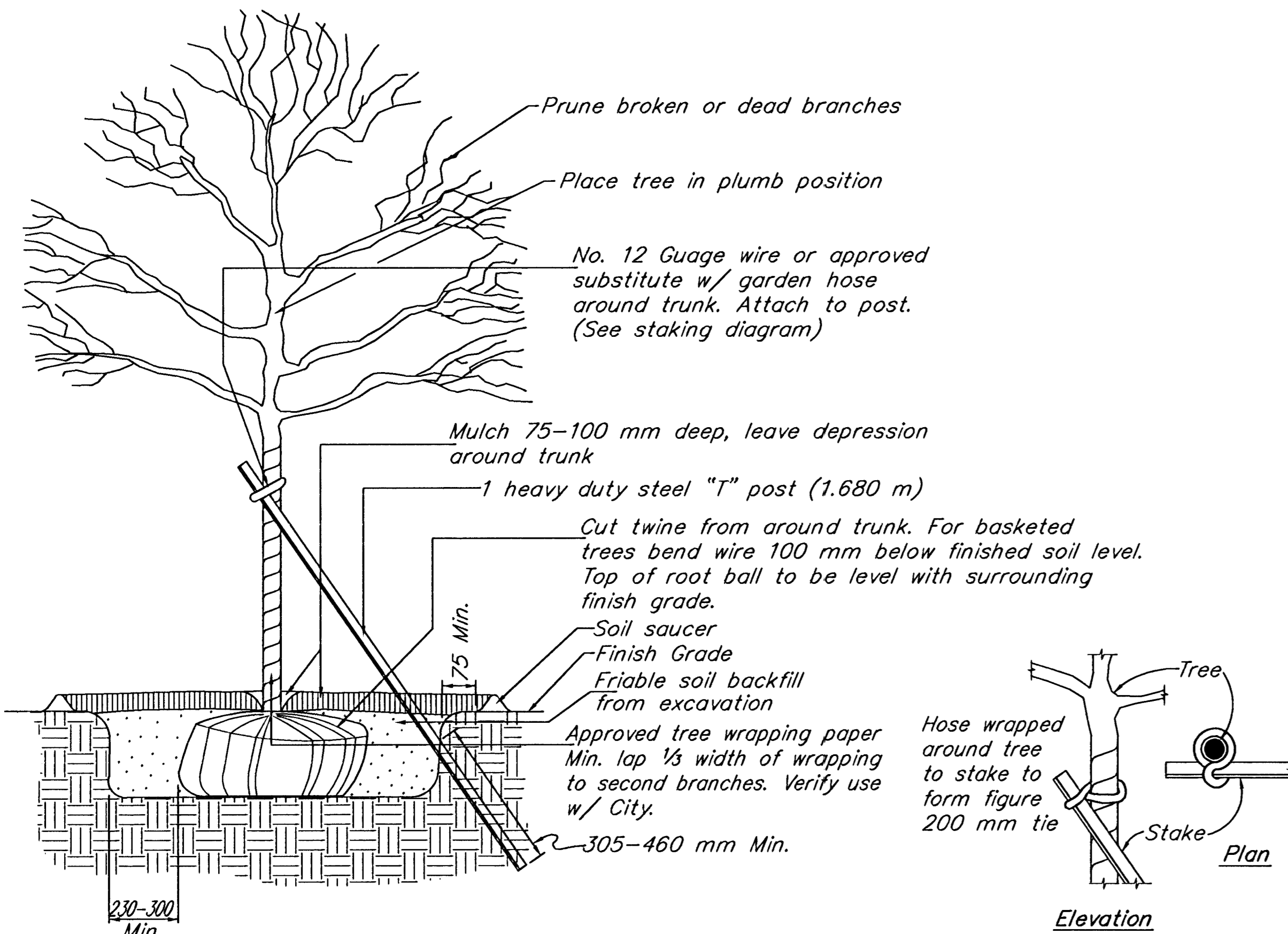
| SHADE TREES | | | |
|-------------|--------------|-----------------------------------|-------------------|
| QTY. | COMMON NAME | BOTANICAL NAME | SIZE (MIN.) |
| 2 | Patmore Ash | Fraxinus pennsylvanica 'Patmore' | 50mm-65mm Cal. BB |
| 2 | Urbanite Ash | Fraxinus pennsylvanica 'Urbanite' | 50mm-65mm Cal. BB |
| 4 | Sawtooth Oak | Quercus acutissima | 50mm-65mm Cal. BB |
| 4 | Lacebark Elm | Ulmus parvifolia | 50mm-65mm Cal. BB |

SUMMARY OF QUANTITIES

| ORNAMENTAL TREES | | | |
|------------------|-----------------------|------------------------------|-------------------|
| QTY. | COMMON NAME | BOTANICAL NAME | SIZE (MIN.) |
| 4 | Oklahoma Redbud | Cercis reniformis 'Oklahoma' | 1.8 m-2.4 m BB |
| 6 | Goldenrain tree | Koelreuteria paniculata | 50mm-65mm Cal. BB |
| 4 | Spring Snow Crabapple | Malus sp. 'Spring Snow' | 1.8 m-2.4 m BB |
| 6 | Chinese Pistache | Pistacia chinensis | 40mm-50mm Cal. BB |
| 2 | Capital Pear | Pyrus calleryana 'Capital' | 1.8 m-2.4 m BB |
| 4 | Japanese Tree Lilac | Syringa reticulata | 40mm-50mm Cal. BB |

NOTES:

All shade trees shall have a minimum branching height of 1.5 m and ornamental trees shall be pruned to have major lower branches parallel to the roadway.



Deciduous Trees: 208 mm Caliper & Smaller
Evergreen Trees: 1.830 m Height & Smaller

TREES: The Contractor shall furnish and install plant materials as provided by the Standard Specifications (1990 Edition) and details this sheet.

PEAT MOSS: Peat Moss shall be thoroughly incorporated into well pulverized backfill soil. The rate of application, based on bagged (18.1 Kg.) peat moss, shall be as follows:

- Ground cover beds - 25.0 bags/93 m²
- Each bare root and potted plant (except ground cover) - 1.0 bags
- Each plant with a 300-400 mm soil ball - 1.5 bags
- Each plant with a 460-610 mm soil ball - 2.5 bags

Peat Moss will be measured by the bag of 18.1 Kg. per each bag.

FURNISHING AND PLANTING PLANT MATERIALS:

Mulching shall be loosely and uniformly applied to each tree and to each shrub bed to a min. depth of 100 mm using shredded mulch or commercially available chipped wood or pine straw.

Preparation of shrub beds and furnishing and placing wood mulch shall be Subsidiary to planting trees and shrubs.

SEEDING AND SODDING: All disturbed areas shall be seeded or sodded, mulched and fertilized. Seed and Fertilizer rates are shown on seeding sheets.

TREE TIE SYSTEM:

Provide screw type earth anchors in conjunction with tree guying system. Minimum anchor size shall be 50 mm Helix, 610 mm x 9 mm shaft, 40 mm dia. eye.

Furnishing and installation of tree ties shall not be paid directly, but shall be Subsidiary to planting trees.

GENERAL NOTES

FERTILIZER TABLETS:

Fertilizer shall be a commercially prepared tablet, tightly-compressed and formulated to be long-lasting (2 year min.) with a slow-release analysis of 20-10-5 derived from urea-formaldehyde, calcium phosphates, potassium sulfate, calcium sulfate, ferrous sulfate and meeting the following minimum guaranteed analysis:

- Total Nitrogen (N) * - 20.0%
 - 7% Water Soluble Organic Nitrogen
 - 13% Water Insoluble Nitrogen
 - Available Phosphoric Acid (P₂O₅) - 10.0%
 - Soluble Potash (K₂O) - 5.0%
 - Calcium (Ca) - 2.6%
 - Sulfur (S) - 1.6%
 - Iron (Fe) - 0.35%
- *17% slowly available nitrogen from urea-formaldehyde.
Tablets shall be 21 gram min. weight.

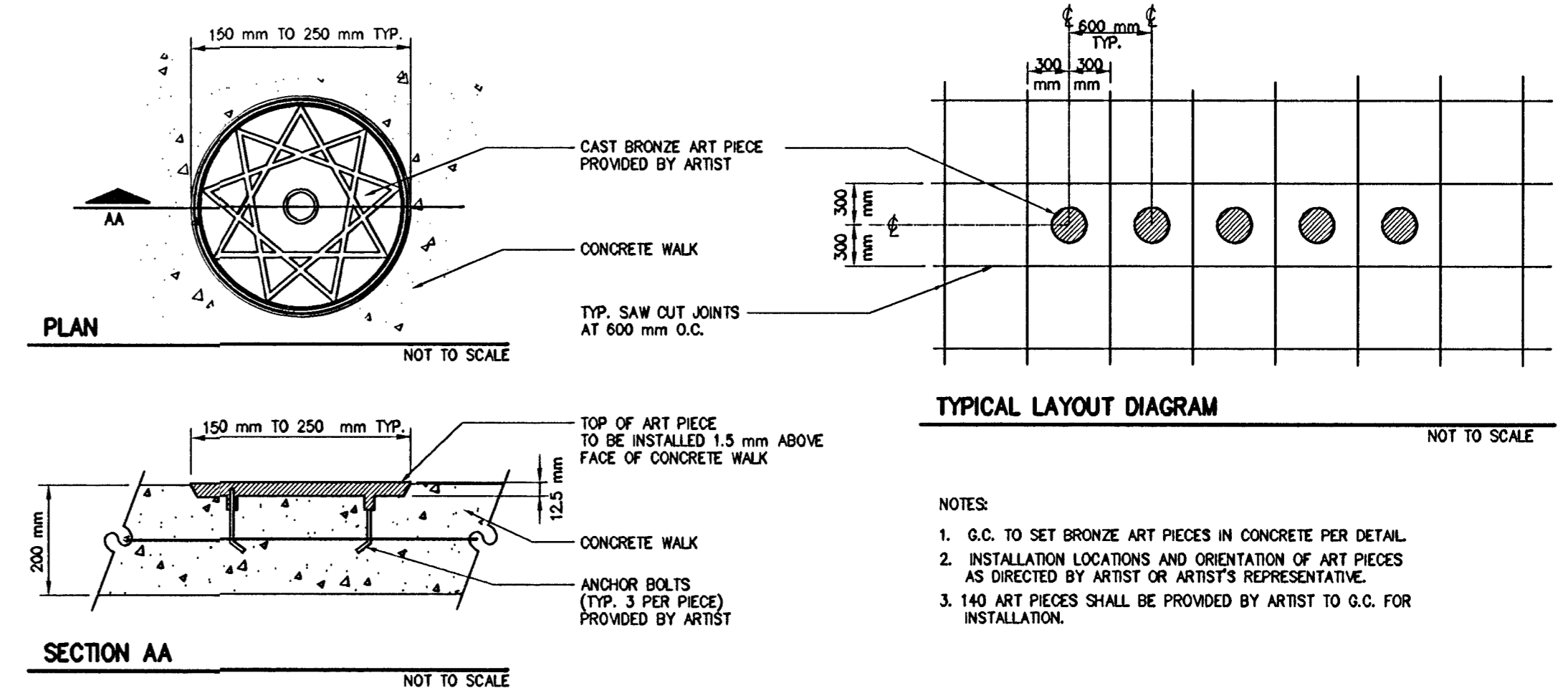
Tablets shall be uniformly placed halfway up the root ball about 25 mm from the root tips. Do not place tablets in the bottom of the hole. The rate of application shall be the number of 21 gram tablets per each plant as shown below:

- Each bare root plant - 3 Tablets
- Each plant with a .405 m soil ball - 8 Tablets
- Each plant with a .460 m soil ball - 9 Tablets
- Each plant with a .508 m soil ball - 10 Tablets
- Each plant with a .610 m soil ball - 12 Tablets

Furnishing and application of fertilizer tablets shall not be paid directly, but shall be Subsidiary to planting trees and shrubs.

TREE LOCATIONS

| STATION | LT. | RT. | TYPE |
|----------|-------|--------|---------------------|
| 22+697 | | 13.054 | Sawtooth Oak |
| 22+715 | | 13.054 | Sawtooth Oak |
| 22+734 | | 11.782 | Chinese Pistache |
| 22+737 | | 11.782 | Chinese Pistache |
| 22+752 | | 13.054 | Patmore Ash |
| 22+757 | 7.210 | | Oklahoma Redbud |
| 22+760 | 7.210 | | Oklahoma Redbud |
| 22+774.5 | 7.210 | | Oklahoma Redbud |
| 22+777 | | 11.782 | Chinese Pistache |
| 22+777.5 | 7.210 | | Oklahoma Redbud |
| 22+787.5 | | 11.782 | Chinese Pistache |
| 22+826 | 7.210 | | Chinese Pistache |
| 22+827 | | 13.054 | Sawtooth Oak |
| 22+839 | | 11.782 | Japanese Tree Lilac |
| 22+843 | | 11.782 | Japanese Tree Lilac |
| 22+845 | 7.210 | | Chinese Pistache |
| 22+854 | | 11.782 | Japanese Tree Lilac |
| 22+857 | | 11.782 | Japanese Tree Lilac |
| 22+868 | | 13.054 | Sawtooth Oak |
| 22+882 | | 11.782 | Goldenrain tree |
| 22+884 | 8.482 | | Urbanite Ash |
| 22+885 | | 11.782 | Goldenrain tree |
| 22+901 | 8.482 | | Urbanite Ash |
| 22+912 | | 13.054 | Patmore Ash |
| 22+926 | | 11.782 | Capital Pear |
| 22+929 | | 11.782 | Capital Pear |
| 23+004 | 7.210 | | Goldenrain tree |
| 23+007 | 7.210 | | Goldenrain tree |
| 23+027 | 7.210 | | Goldenrain tree |
| 23+30 | 7.210 | | Goldenrain tree |
| 23+113 | 7.210 | | Spring Snow Crab |
| 23+116 | 7.210 | | Spring Snow Crab |
| 23+117 | | 13.054 | Lacebark Elm |
| 23+128 | 7.210 | | Spring Snow Crab |
| 23+131 | 7.210 | | Spring Snow Crab |
| 23+137 | | 13.054 | Lacebark Elm |
| 23+156 | | 13.054 | Lacebark Elm |
| 23+175 | | 13.054 | Lacebark Elm |



ART PIECE DETAILS

PROJECT ARTIST:
KENT WILLIAMS
524 SOUTH COMMERCE
WICHITA, KANSAS 67202
TEL: 316-263-8770

- NOTES:
- G.C. TO SET BRONZE ART PIECES IN CONCRETE PER DETAIL.
 - INSTALLATION LOCATIONS AND ORIENTATION OF ART PIECES AS DIRECTED BY ARTIST OR ARTIST'S REPRESENTATIVE.
 - 140 ART PIECES SHALL BE PROVIDED BY ARTIST TO G.C. FOR INSTALLATION.

CITY OF WICHITA
BROADWAY STREET IMPROVEMENTS
LANDSCAPE SUMMARY AND NOTES

Booker ASSOCIATES INC.
OF KANSAS
Wichita Kansas

SCALE N.T.S. DATE DATE DWG. NO. K9542