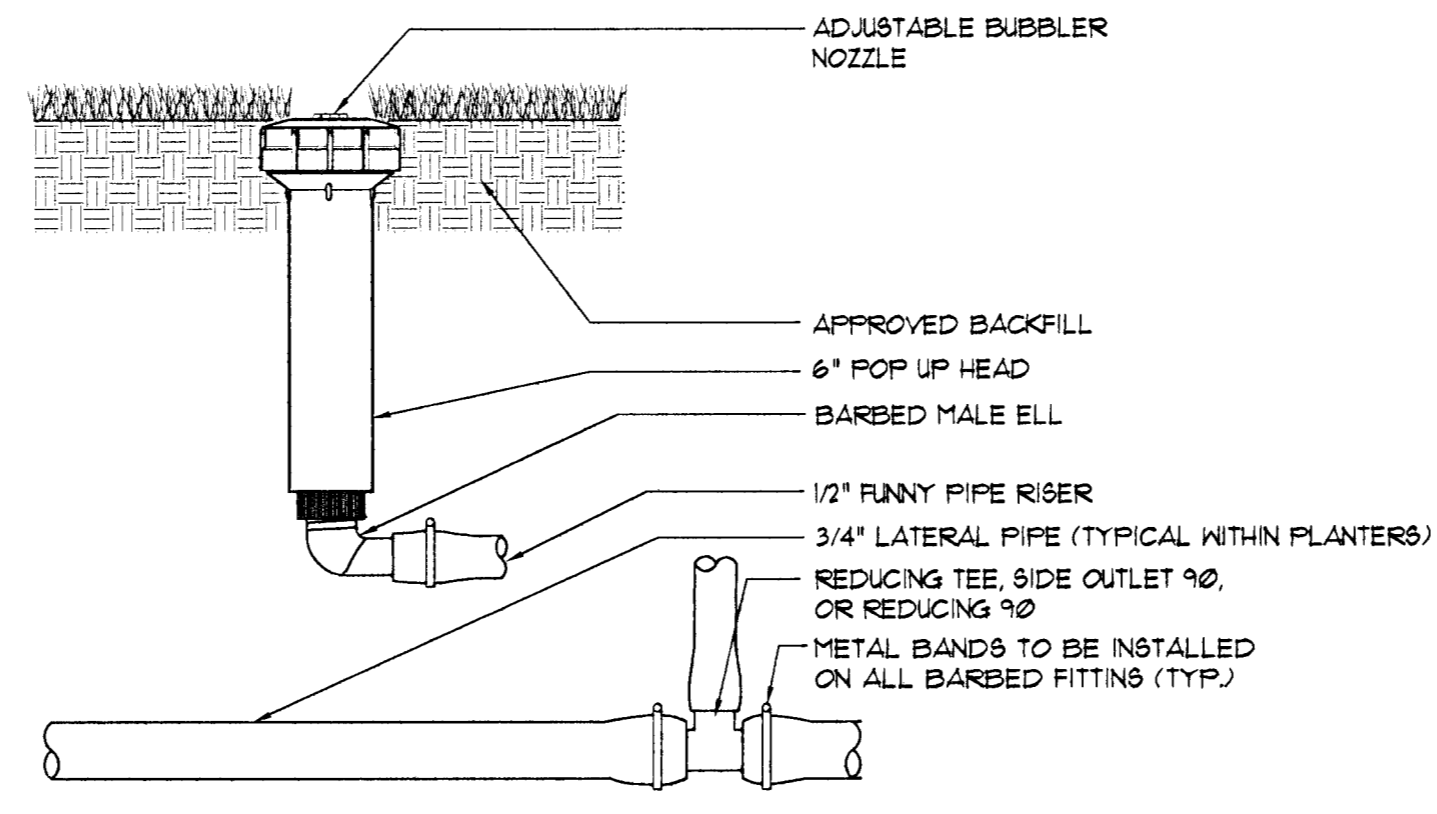


SECTION/ELEVATION

* NOTES: INSTALL SPRINKLER 1" ABOVE FINISHED GRADE

1 6" POP UP SPRAY HEAD

N.T.S.

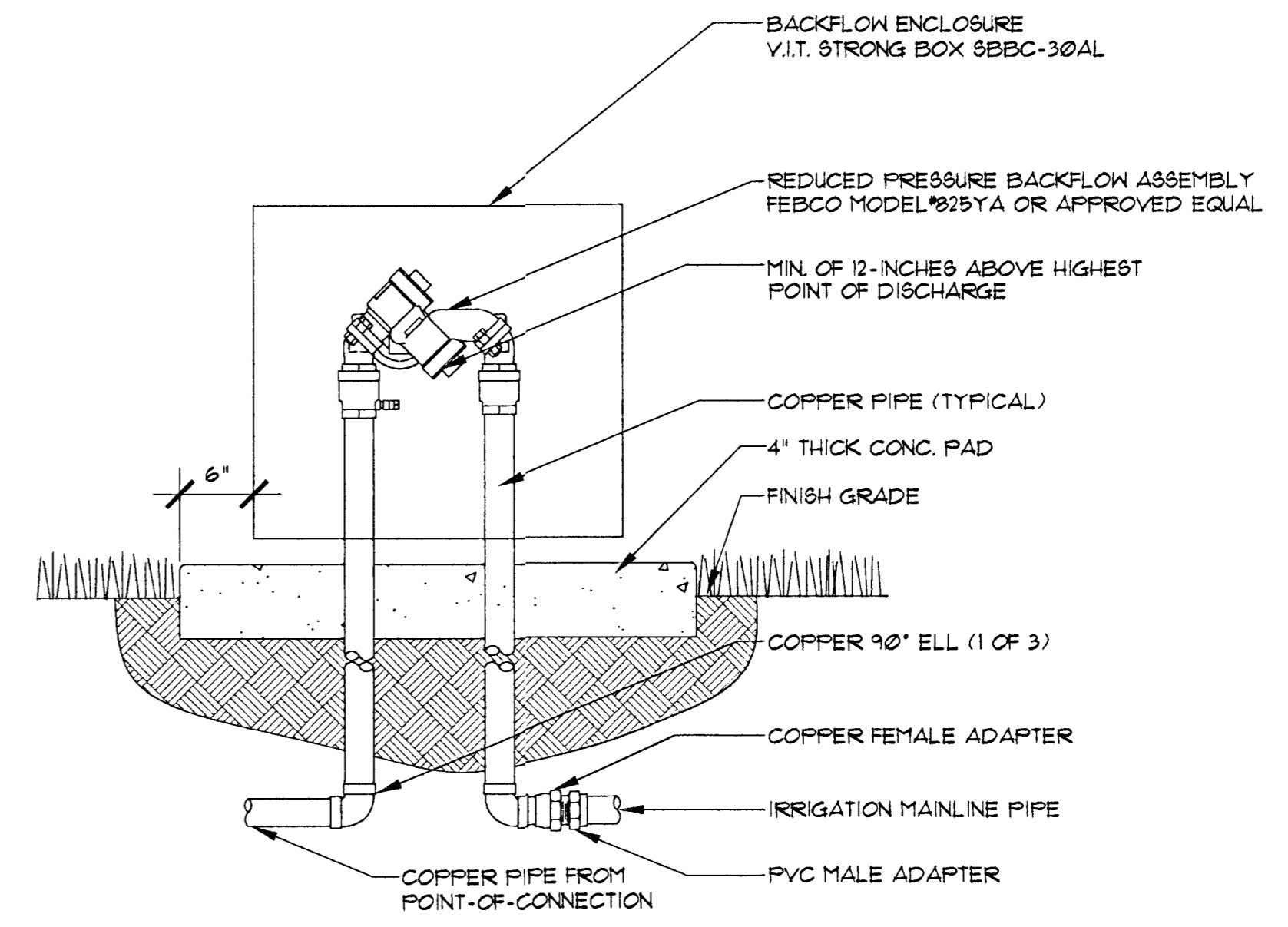


SECTION/ELEVATION

* NOTES: INSTALL SPRINKLER 1" ABOVE FINISHED GRADE

2 6" POP UP BUBBLER

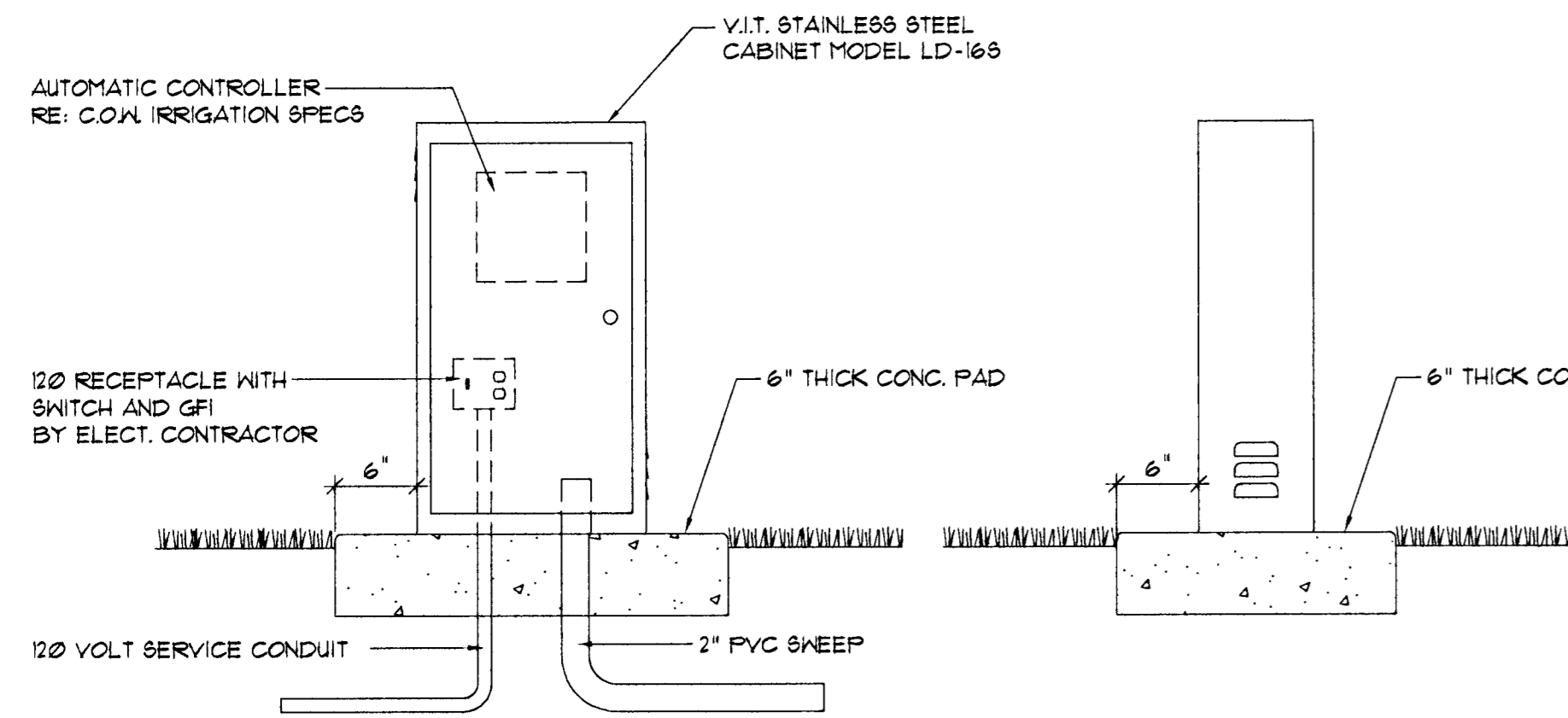
N.T.S.



NOTE:
1. INSTALL BACKFLOW PREVENTER AS REQUIRED BY LOCAL CODES AND HEALTH DEPARTMENT. VERIFY LOCAL REQUIREMENTS PRIOR TO INSTALLATION.

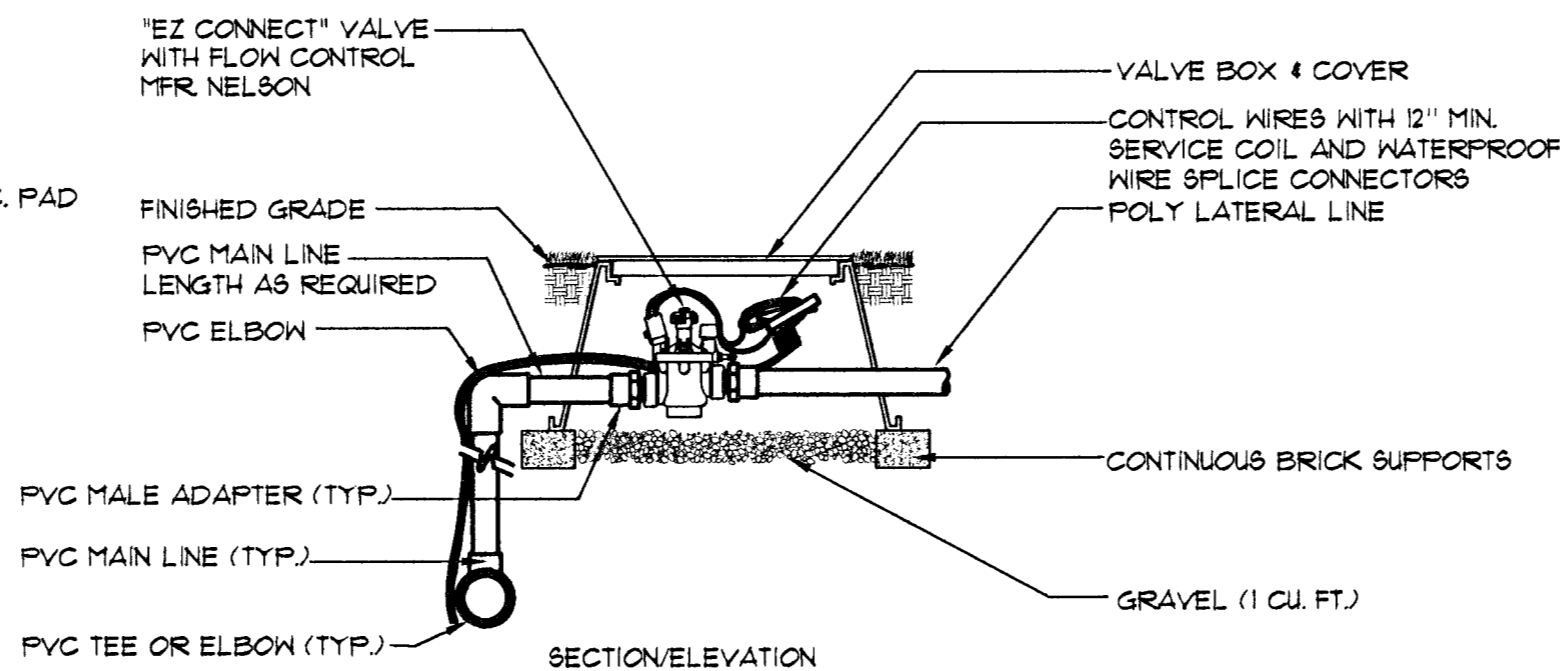
3 REDUCED PRESSURE BACKFLOW ASSEMBLY

N.T.S.



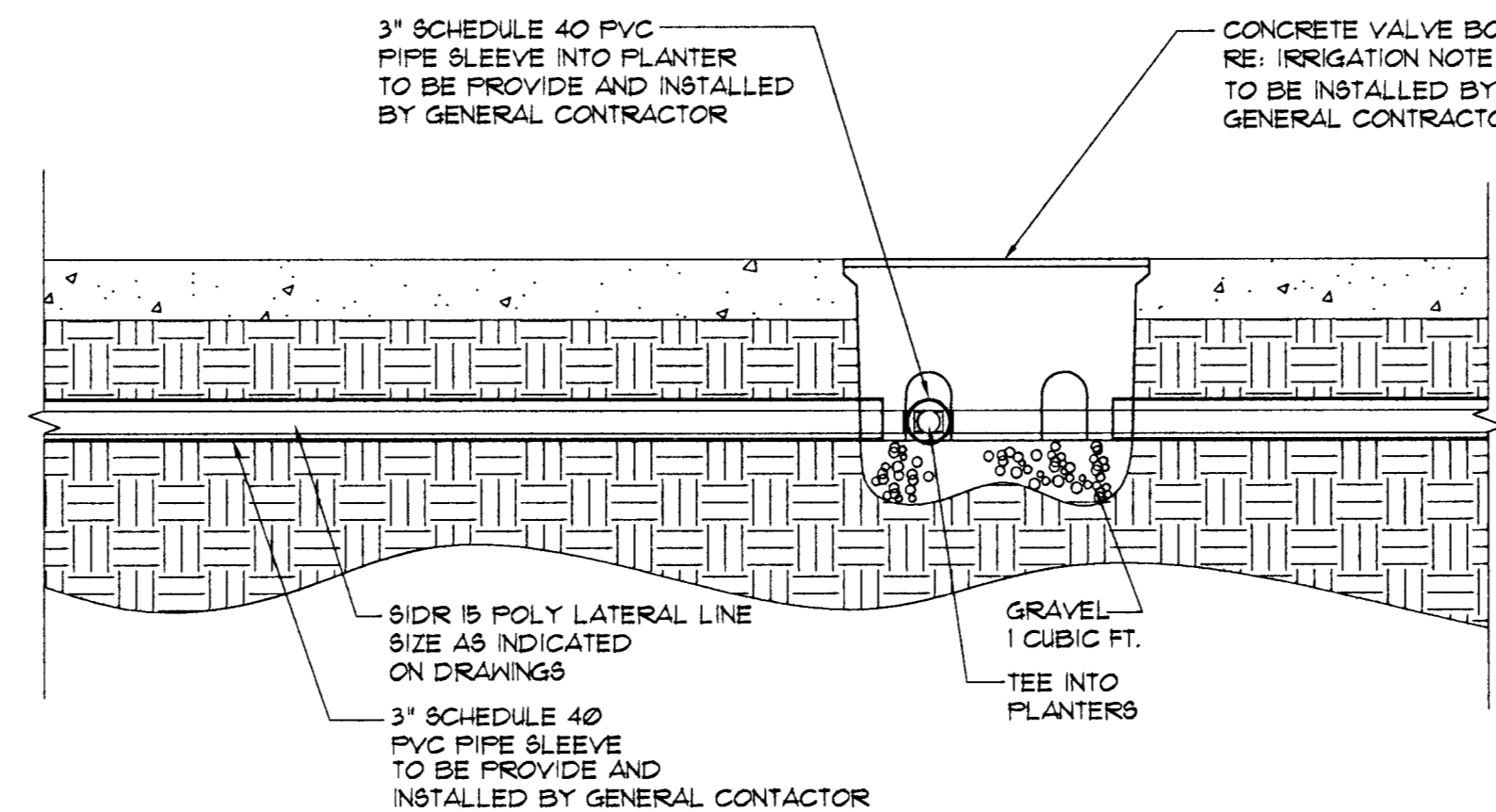
4 CONTROLLER ENCLOSURE

SCALE: 1" = 20'-0"



5 REMOTE CONTROL VALVE

N.T.S.



6 PIPE SLEEVE DETAIL

SCALE: 1" = 1'

IRRIGATION NOTES:

- IRRIGATION SYSTEM SHALL BE INSTALLED IN ACCORDANCE WITH THE CITY OF WICHITA STANDARD IRRIGATION SPECIFICATIONS SUBJECT TO THE FOLLOWING REVISIONS. PLEASE ADD THE FOLLOWING TO THE STANDARD SPECS:
 - PIPE:
 - PLASTIC PIPE:
 - USE SCHEDULE 40 POLYVINYL CHLORIDE (FOR ALL MAIN LINES).
 - PE CONTROLLED ID PIPE: ASTM F 111 AND ASTM D 2239+ PE 3408 COMPOUND+ ASTM D2239, PE 3408, SDR 15, 100 PSI POLY PIPE (FOR ALL LATERAL LINES).
 - INSERT FITTINGS FOR PE PIPE: ASTM D 2629, PA OR PP, SECURE WITH PROPER SIZE STAINLESS STEEL CRIBBEKER CLAMPS.
 - VALVE BOXES:
 - TURF AREAS - USE AMETEK 18" VALVE BOX OR APPROVED EQUAL
 - PEDESTRIAN SIDEWALK AREAS - USE POLYMER CONCRETE BOX, H SERIES LIGHT WEIGHT, MODEL #41118-12, MANUFACTURED BY CARSON INDUSTRIES LLC, OR APPROVED EQUAL. KNOCK OUTS SHALL BE PROVIDED ON 3 SIDES MIN. AND THE WORD "IRRIGATION" STAMPED ONTO COVER.
 - VEHICULAR TRAFFIC AREAS - USE POLYMER CONCRETE BOX, H SERIES HEAVY DUTY, MODEL #41118-12, MANUFACTURED BY CARSON INDUSTRIES LLC, OR APPROVED EQUAL. KNOCK OUTS SHALL BE PROVIDED ON 3 SIDES MIN. AND THE WORD "IRRIGATION" STAMPED ONTO COVER.
 - BACKFLOW ENCLOSURE: USE V.I.T. STRONG BOX 8BBC-30AL OR APPROVED EQUAL.
 - CONTROLLER ENCLOSURE: USE V.I.T. STRONG BOX LD-168 OR APPROVED EQUAL.
 - PIPE SLEEVES:
 - SLEEVES - USE 3" SCHEDULE 40 PVC WITH SOLVENT WELD JOINTS
 - HEADS:
 - USE 6" POP UP SPRAY HEADS AND 6" POP UP ADJUSTABLE BUBBLERS WHERE INDICATED ON PLANS. ACCEPTABLE MANUFACTURERS: RAINBIRD, NELSON, TORO OR APPROVED EQUAL.
- IRRIGATION CONTRACTOR SHALL COORDINATE WITH GENERAL CONTRACTOR ON THE TIMING OF THE INSTALLATION OF SLEEVES AND VALVE BOXES LOCATED IN PAVED AREAS.
- SYSTEM SHALL BE PROGRAMMED TO RUN IN THE EARLY MORNING PRIOR TO 6:00 AM.
- IRRIGATION CONTRACTOR SHALL NOT USE AUTOMATIC DRAIN VALVES. MANUAL DRAIN VALVES LOCATED AT SYSTEM LOW POINTS SHALL BE INSTALLED.
- BACKFLOW PREVENTER SHALL BE INSTALLED AT THE DISTANCE ABOVE THE HIGHEST SPRINKLER HEAD AS REQUIRED BY LOCAL CODE.
- LINE SIZES INDICATED ARE MINIMUMS CONTRACTOR MAY CHOOSE TO SIZE LINES LARGER AT NO ADDITIONAL COST TO OWNER.
- ALL IRRIGATION WILL BE BASE BID.

IRRIGATION LEGEND

- 6" POP UP SPRAY HEAD
- 6" POP UP ADJ. BUBBLER
- (4) 8Q NUMBER OF HEADS, RADIUS, AND PATTERN
- IRRIGATION VALVE BOX
- CIRCUIT LINE
- MAIN LINE
- ⊗ BACKFLOW PREVENTER AND ENCLOSURE
- == SCHEDULE 40 PIPE SLEEVES BENEATH ROADWAY MINIMUM DEPTH 24"
- ▲ QUICK COUPLER HOSE CONNECTION LOCATIONS ON MAIN LINE
- CONT CONTROLLER LOCATION



IRRIGATION DETAILS