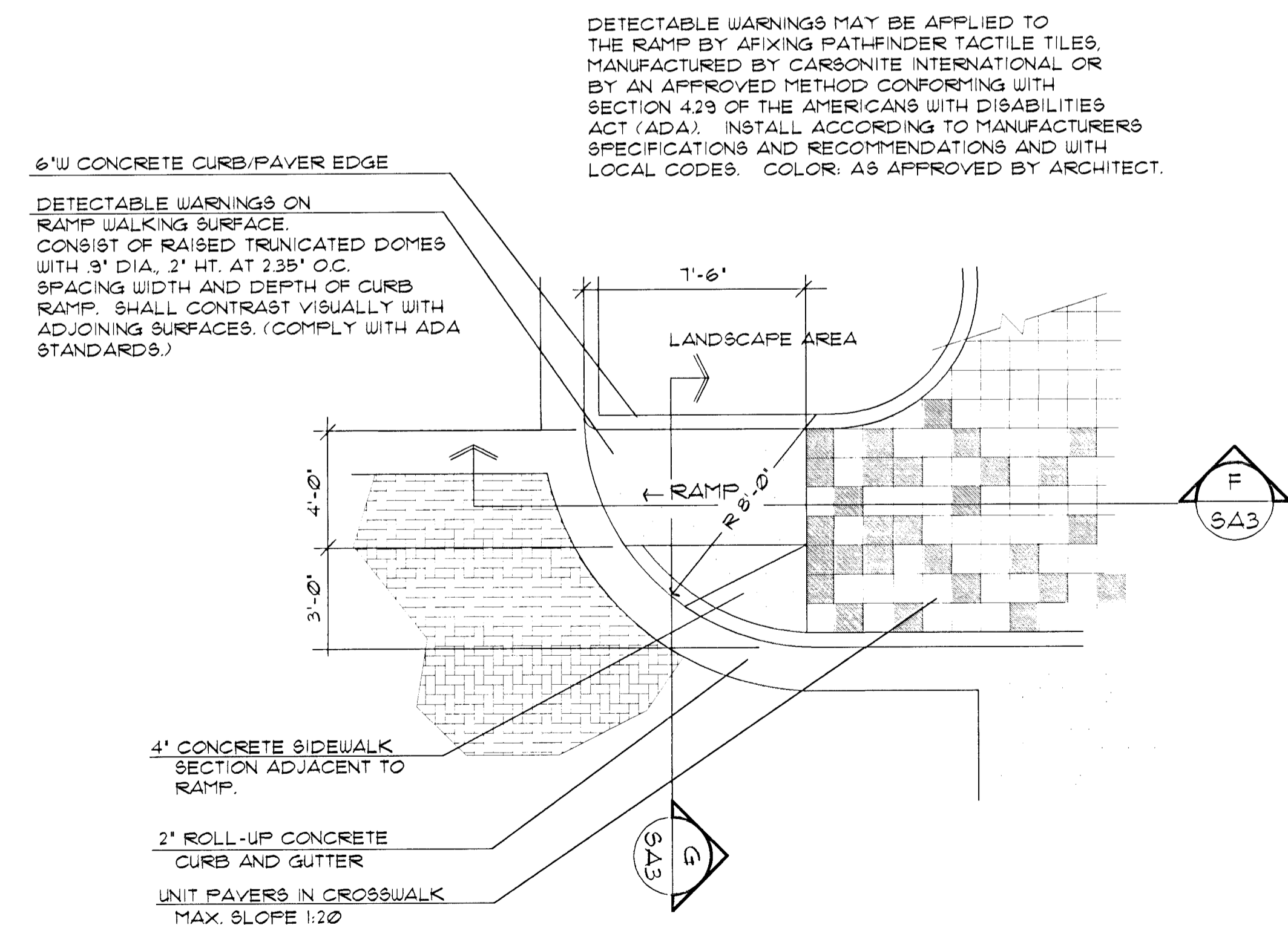
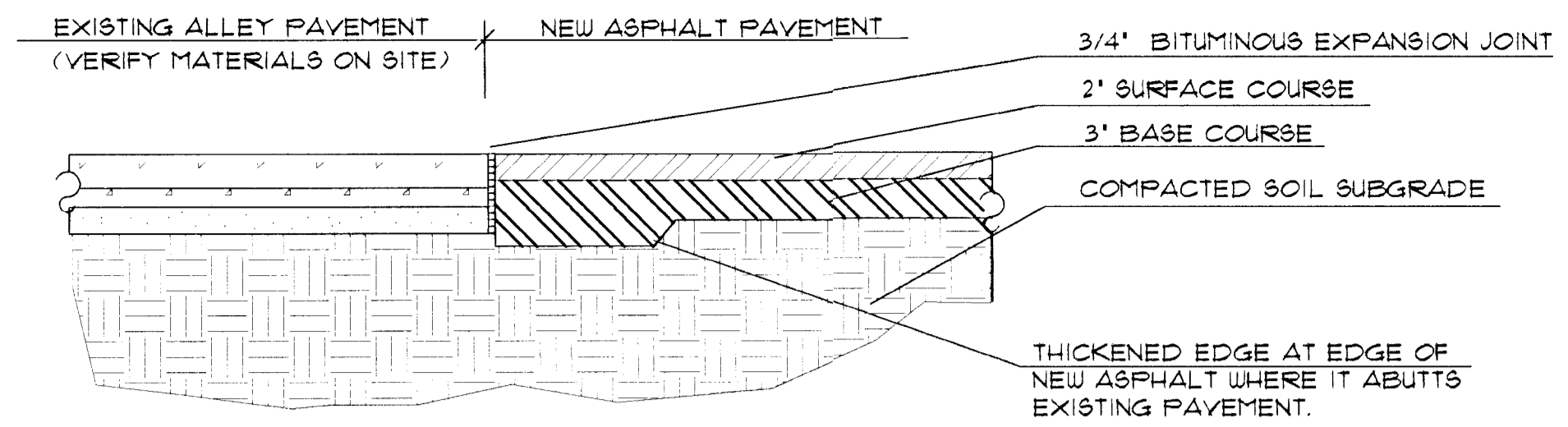


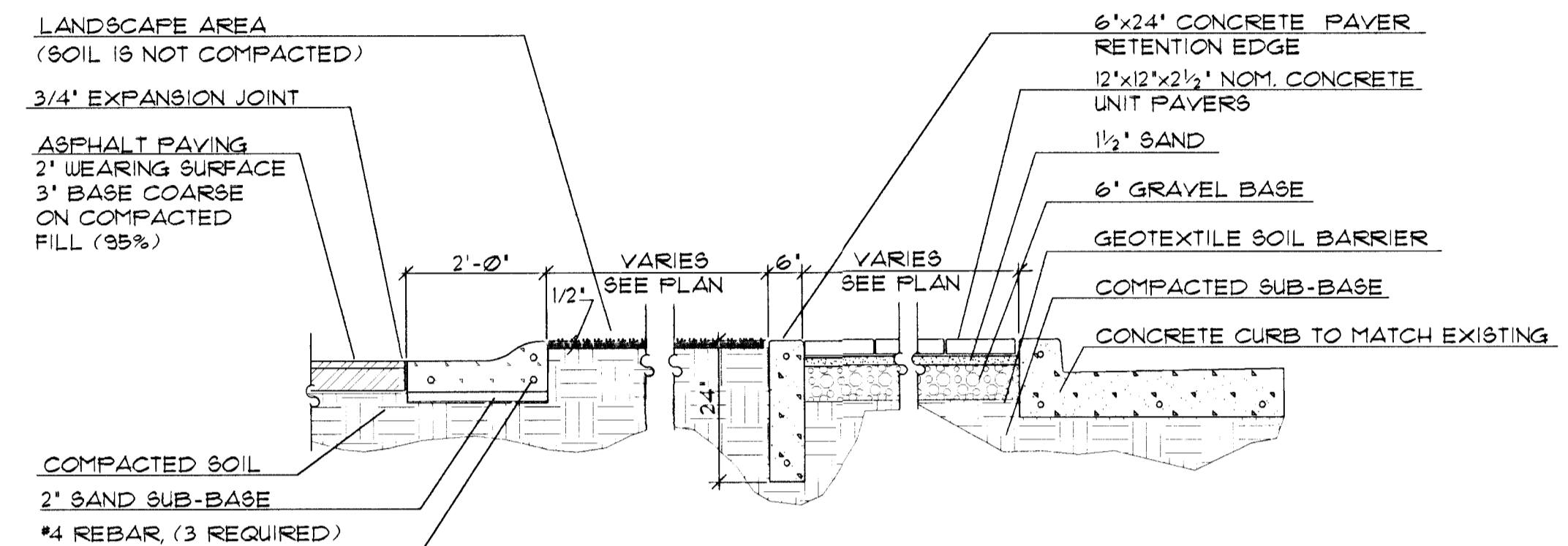
**A** BRICK VENEER @ PARKING GARAGE  
SCALE: 1/2" = 1'-0"



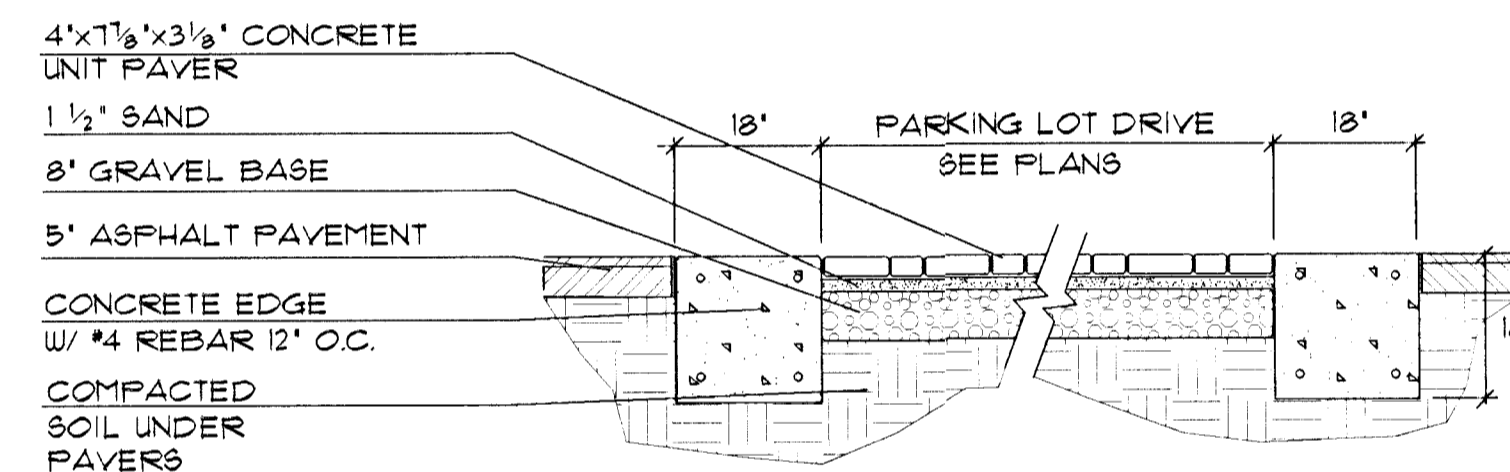
**B** SIDEWALK RAMP AT LOT APPROACH  
SCALE: 1/4" = 1'-0"



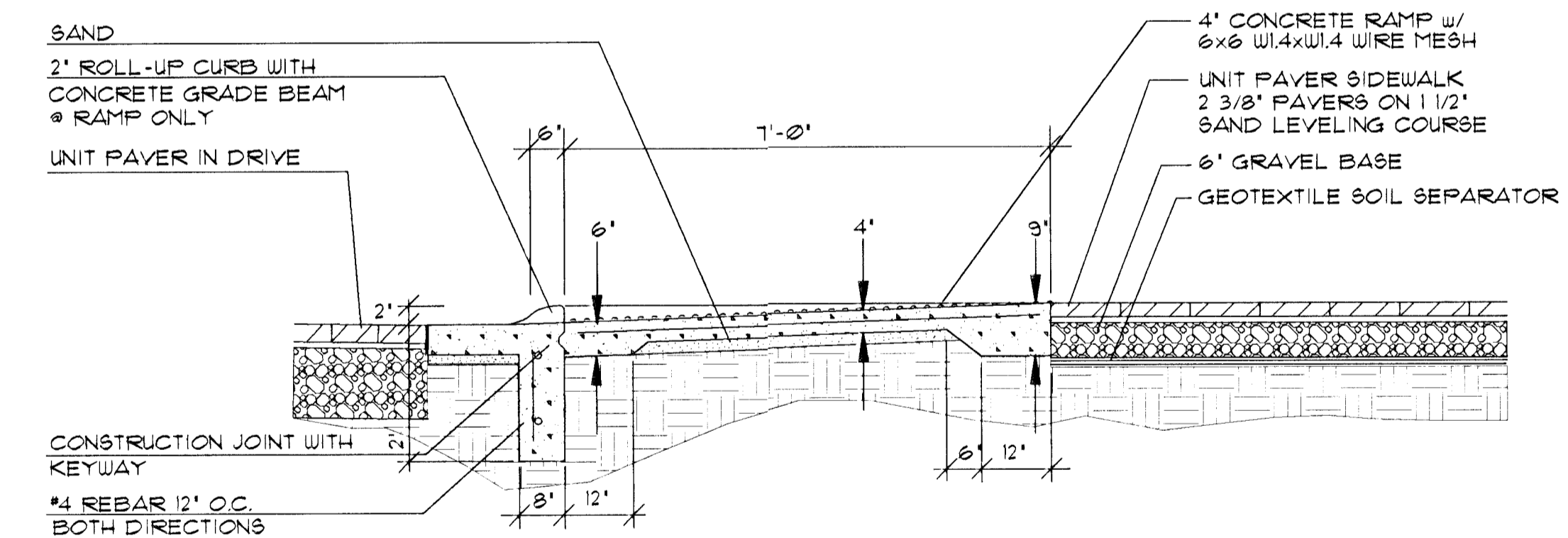
**C** ASPHALT PAVEMENT AT EXISTING ALLEY  
SCALE: 1" = 1'-0"



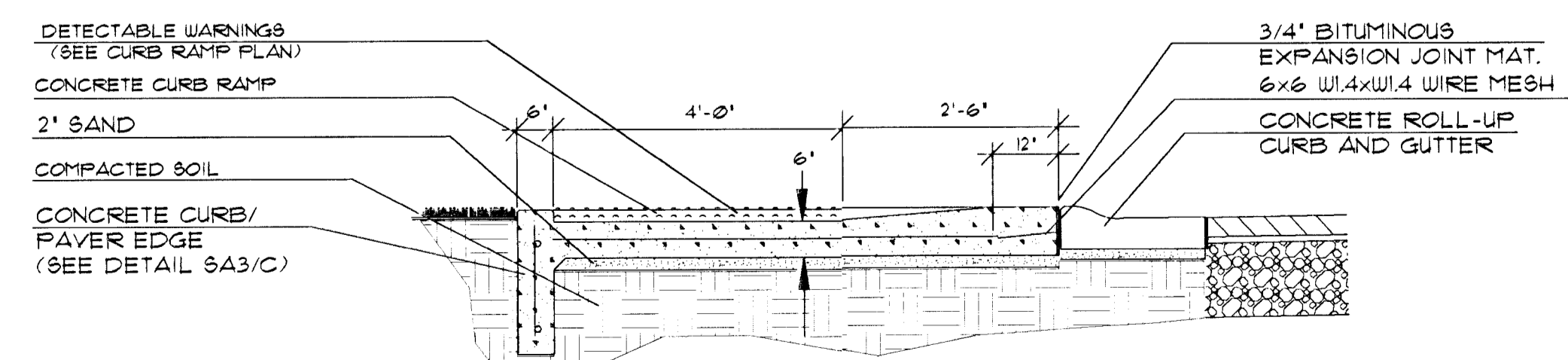
**D** UNIT PAVER SIDEWALK AT BROADWAY  
SCALE: 1/2" = 1'-0"



**E** CONCRETE UNIT PAVEMENT IN VEHICULAR DRIVE  
SCALE: 1/2" = 1'-0"

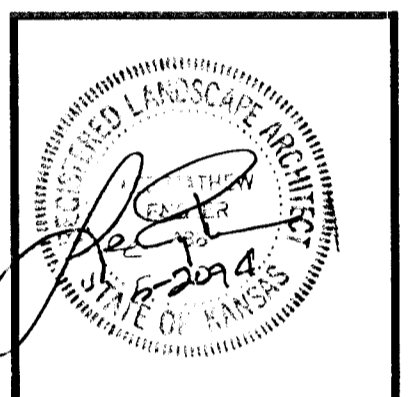


**F** CURB RAMP SECTION "F"  
SCALE: 1/2" = 1'-0"



**G** CURB RAMP SECTION "G"  
SCALE: 1/2" = 1'-0"

**Wilson Darnell Mann PA**  
 architecture site planning interiors  
 105 N. Washington Wichita, Kansas 67202 316-262-4700



COPYRIGHT © 1993  
 Wilson Darnell Mann, PA  
 prints issued  
 5-11-94 FIELD CHK.

WDA no. 3400B  
 drawn LME check

**WICHITA CORE AREA  
PARKING LOTS**  
 WICHITA, KANSAS  
 SITE DETAILS