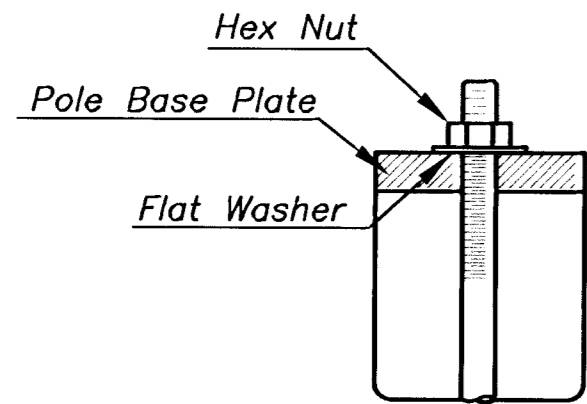
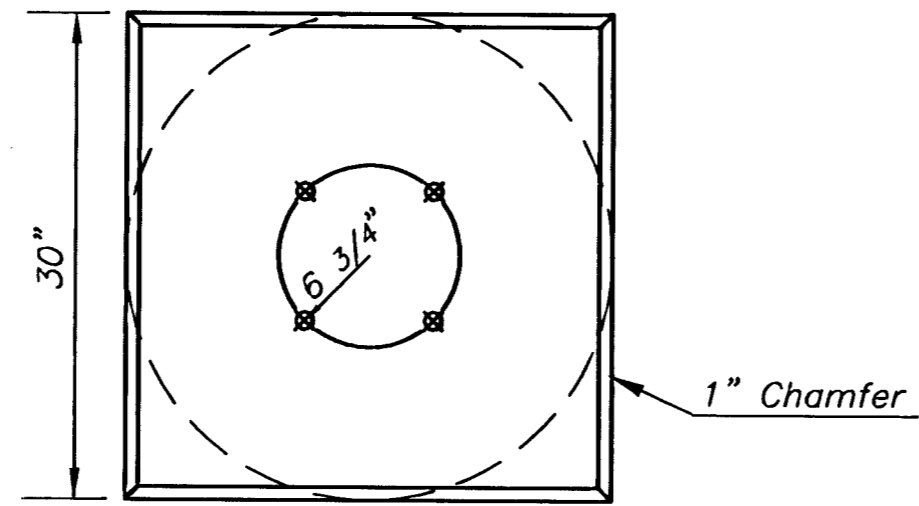
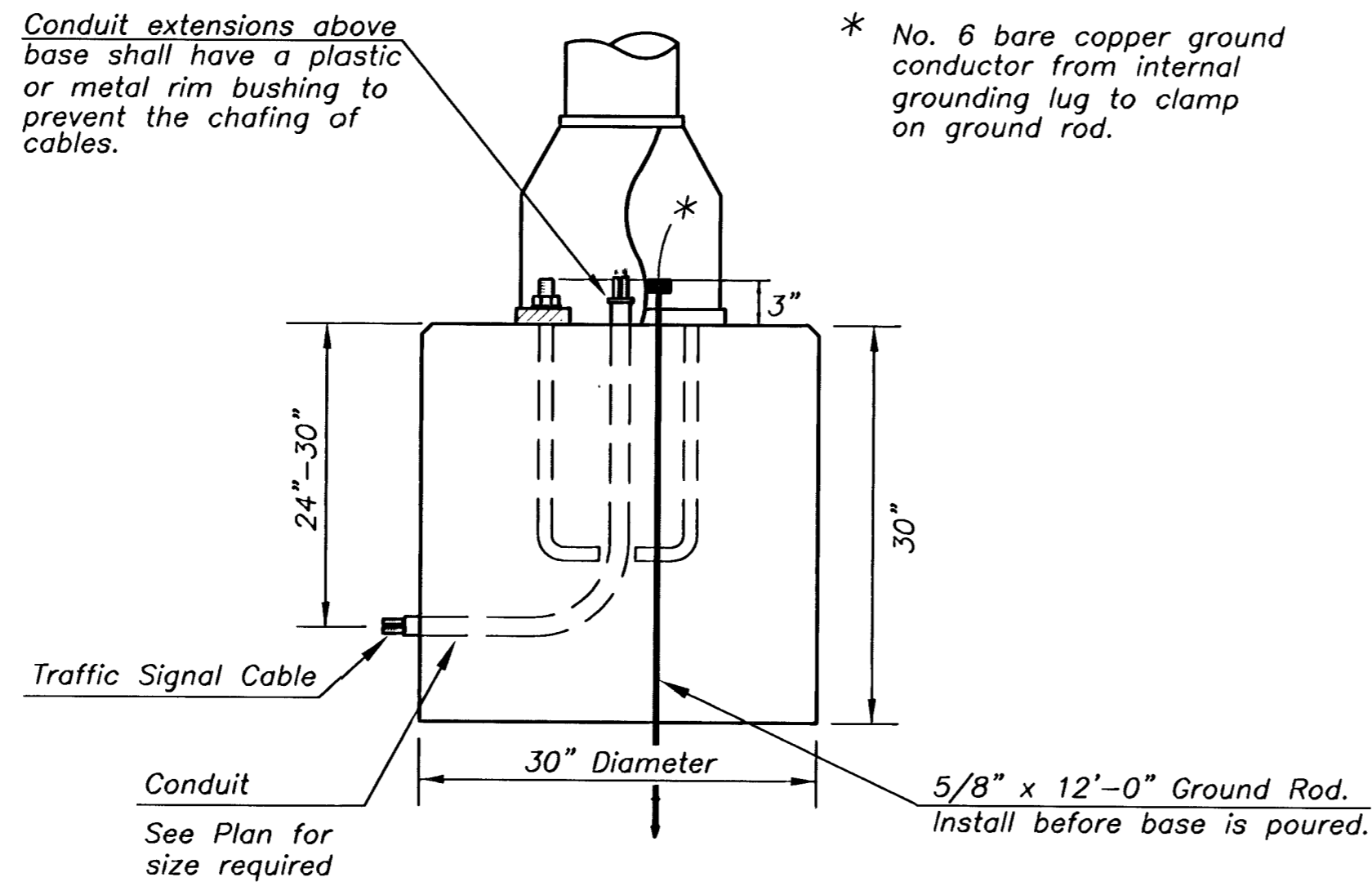


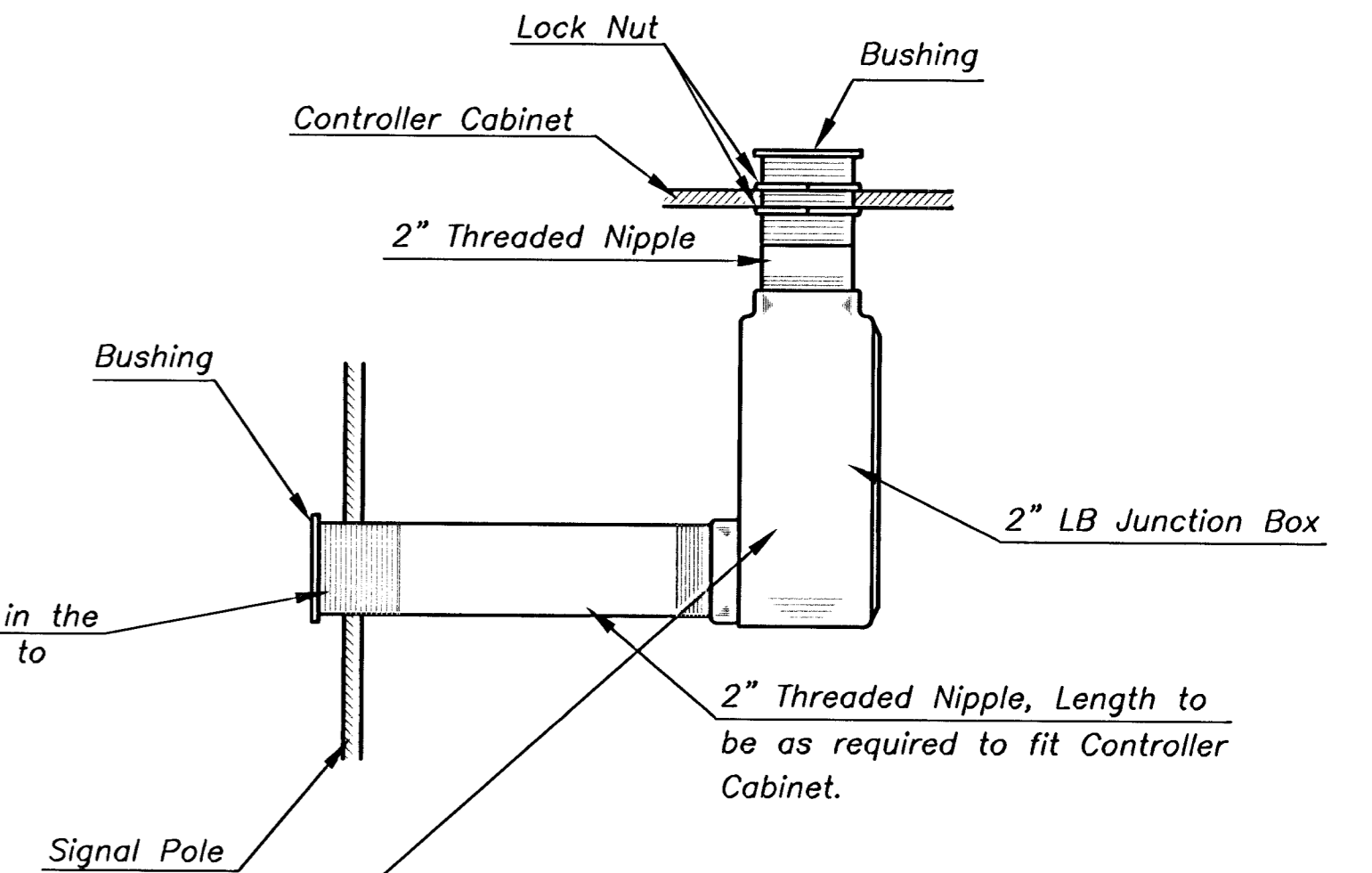
Use Keystone "No-Weld Number 1 Anti-Seize Compound" on all bolts & nuts.



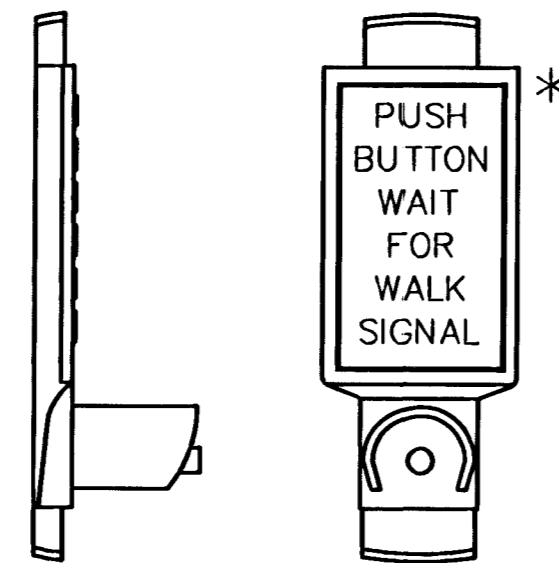
**ANCHOR BOLT
DETAIL**



CONCRETE BASE DETAIL

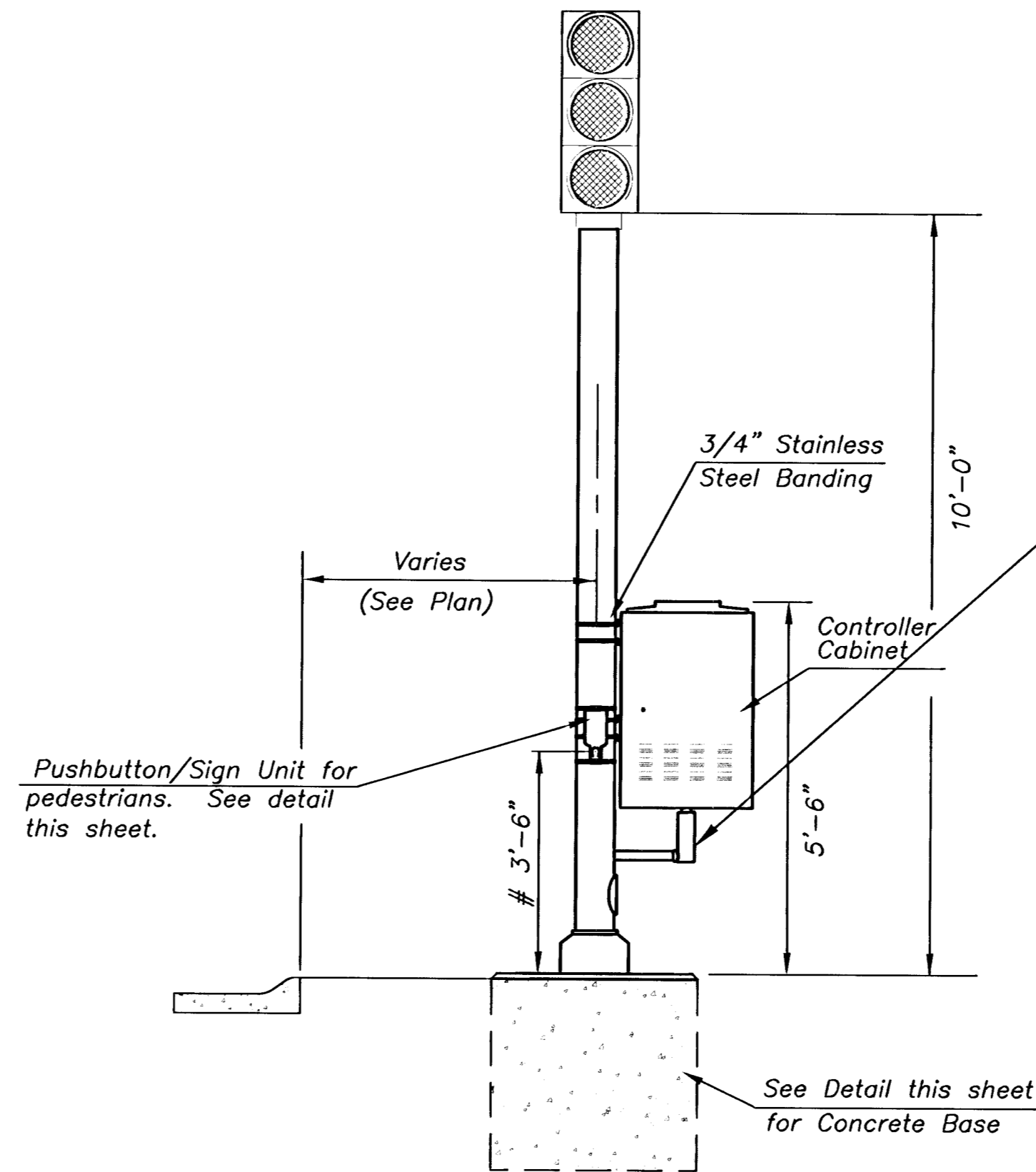


* NOTE: MESSAGE TO BE CAST WITH HOUSING (ONE PIECE)



INSTALL PEDESTRIAN PUSHBUTTON UNDERNEATH CORRESPONDING PEDESTRIAN SIGNAL HEAD ON SIDE OF POLE NEAREST CROSSWALK. UNIT SHALL BE FIRMLY ATTACHED TO THE SIDE OF POLE WITH 3/4" STEEL BANDS. SHARP ENDS SHALL BE FOLDED UNDER TO PREVENT INJURY TO PEDESTRIANS.

**PEDESTRIAN PUSHBUTTON/SIGN
UNIT DETAIL**



TRAFFIC SIGNAL PEDESTAL

From Sidewalk Finish Grade to Center of Pushbutton.

MAIZE AND HARVEST PEDESTAL DETAIL WICHITA, KANSAS			
	Ruggles & Bohm, P.A. Engineering, Surveying, Land Planning		DESIGN KWL DRAWN KWL REVIEW KWL UTILITY
	924 North Main Wichita, Kansas 67203 www.rbkansas.com		(316) 264-8008 (316) 264-4621 fax E-mail: info@rbkansas.com
DRAWING FILE Base [layout]		PROJECT NUMBER 472-83509	
		DATE Nov. 26, 2002	
		SHEET 7 OF 7	