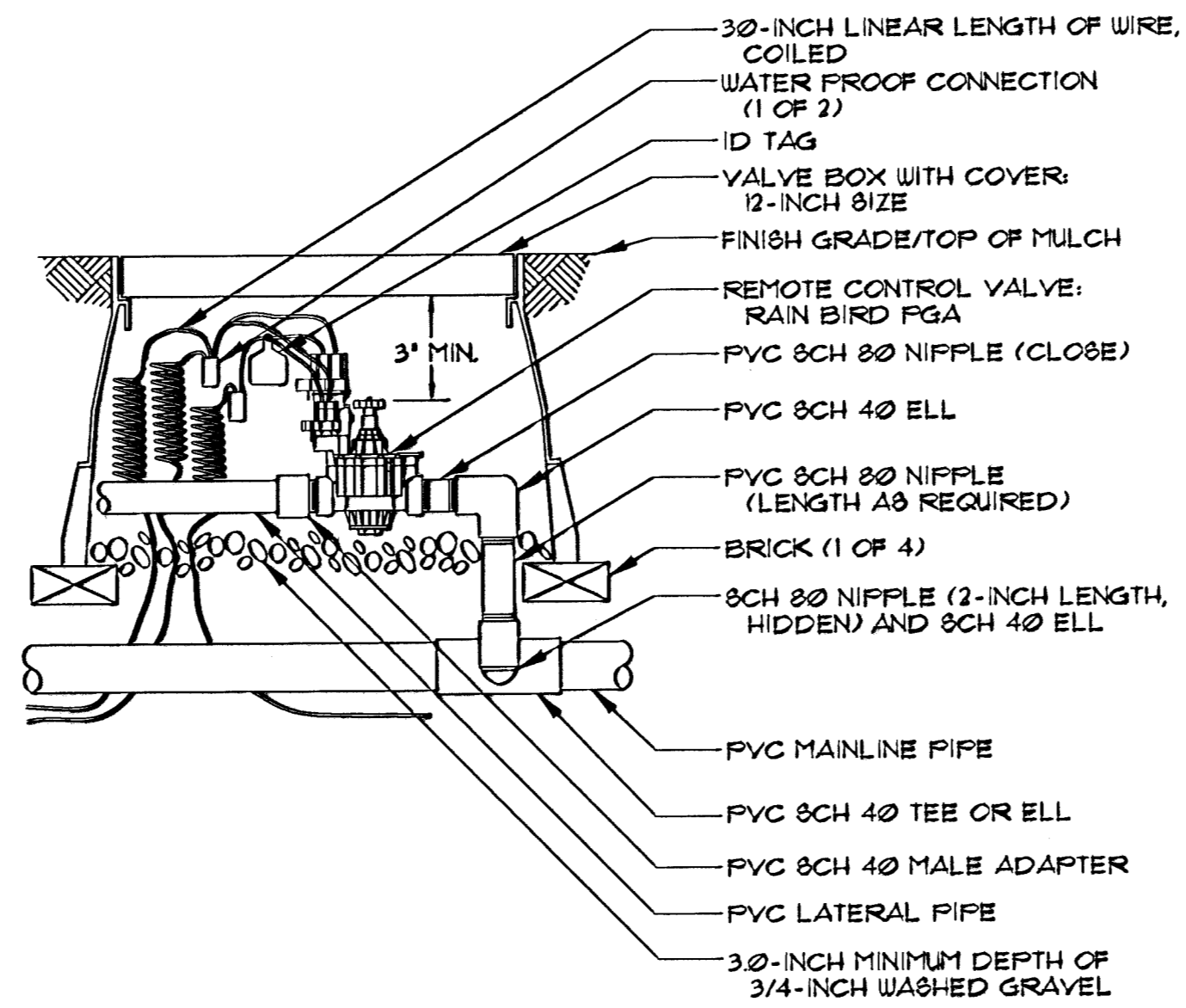


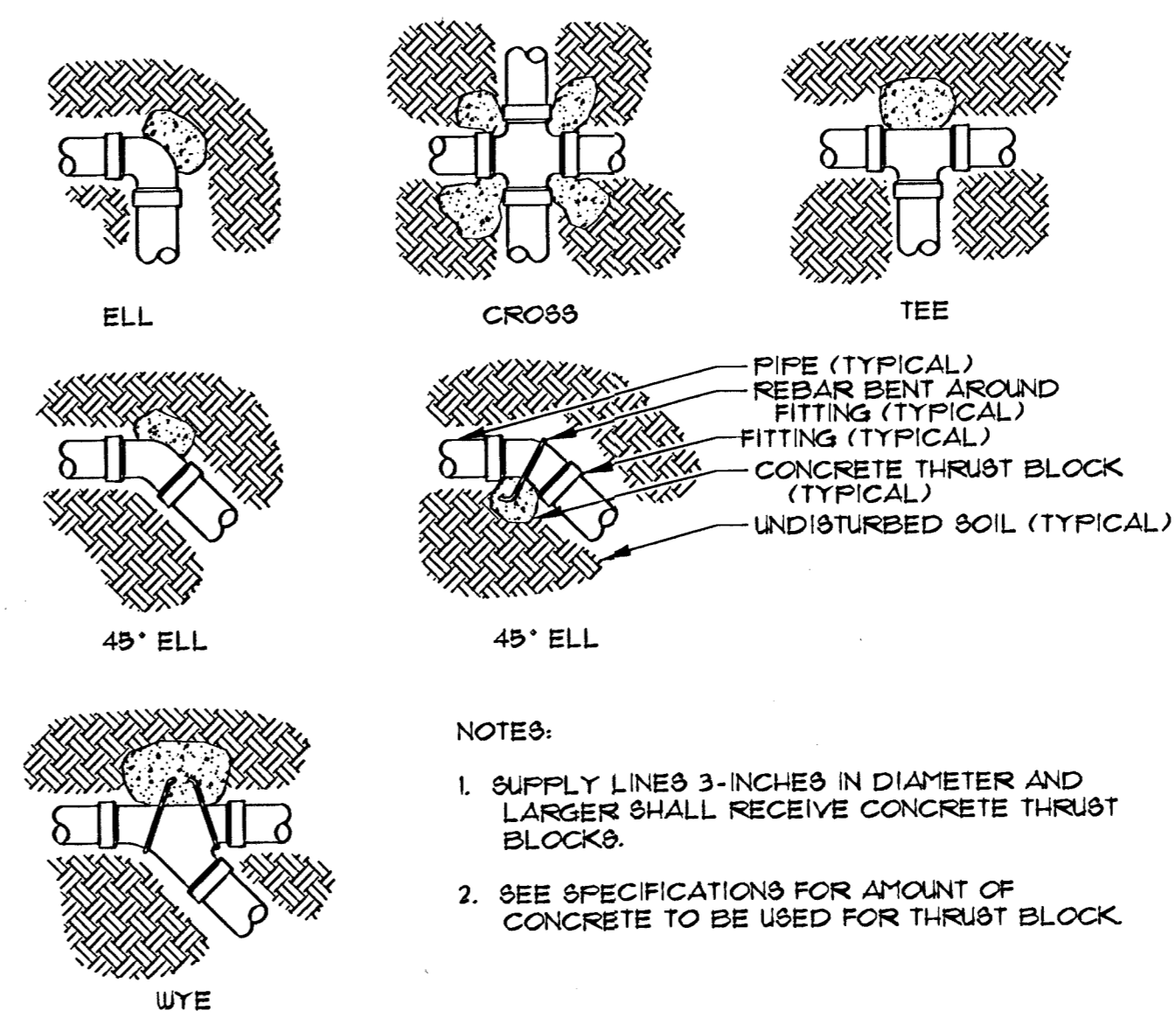
DRIP IRRIGATION CONTROL ZONE KIT

NO SCALE



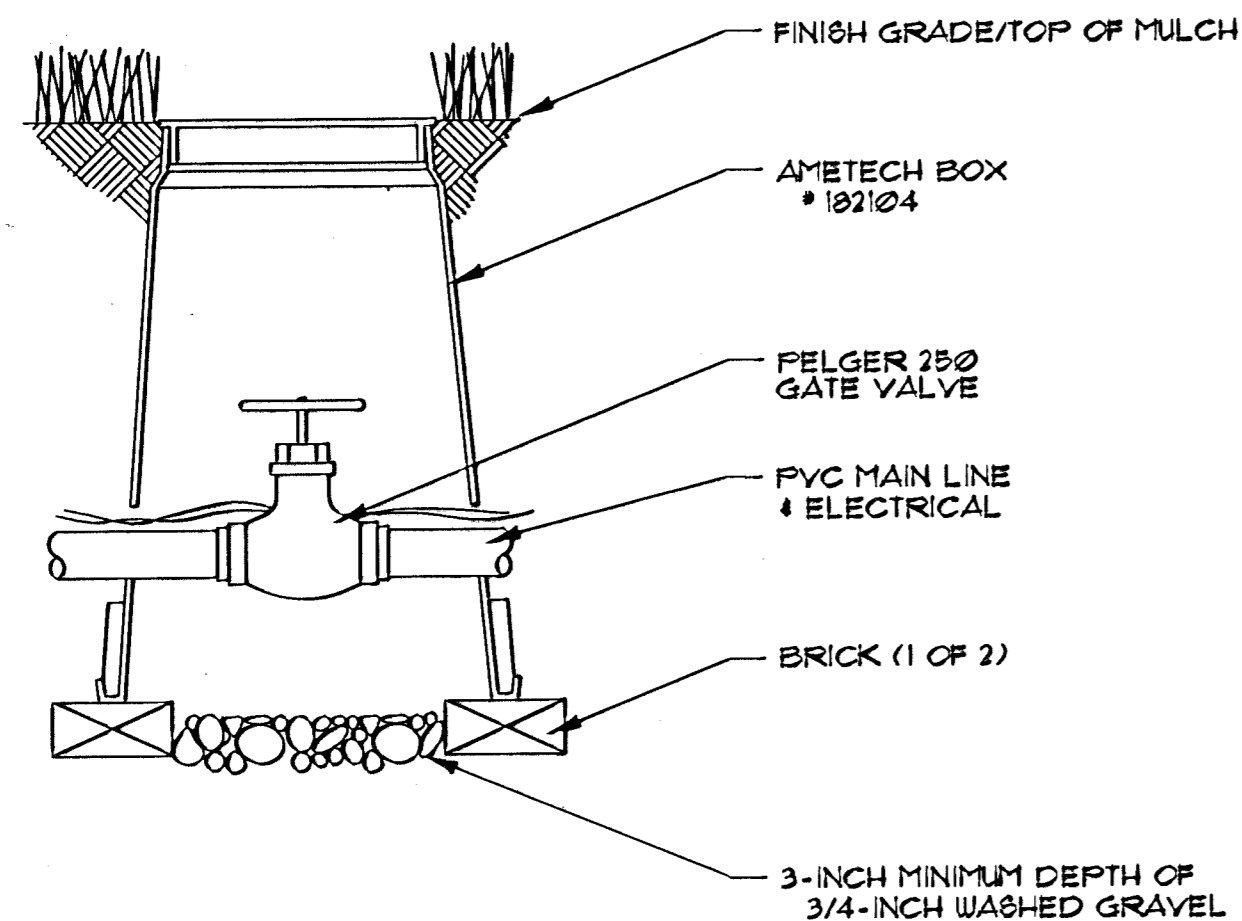
REMOTE CONTROL VALVE

NO SCALE



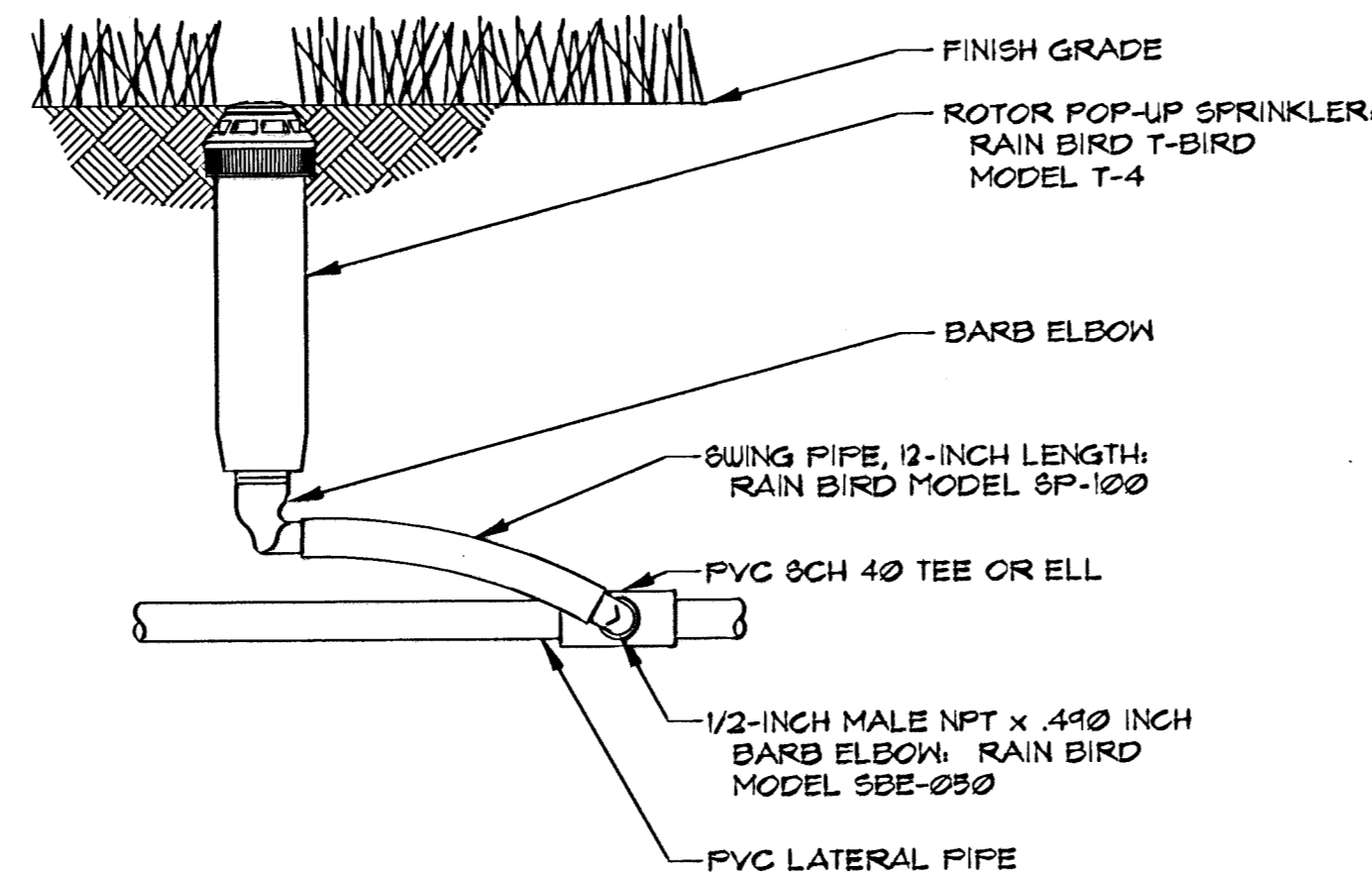
THRUST BLOCK

NO SCALE



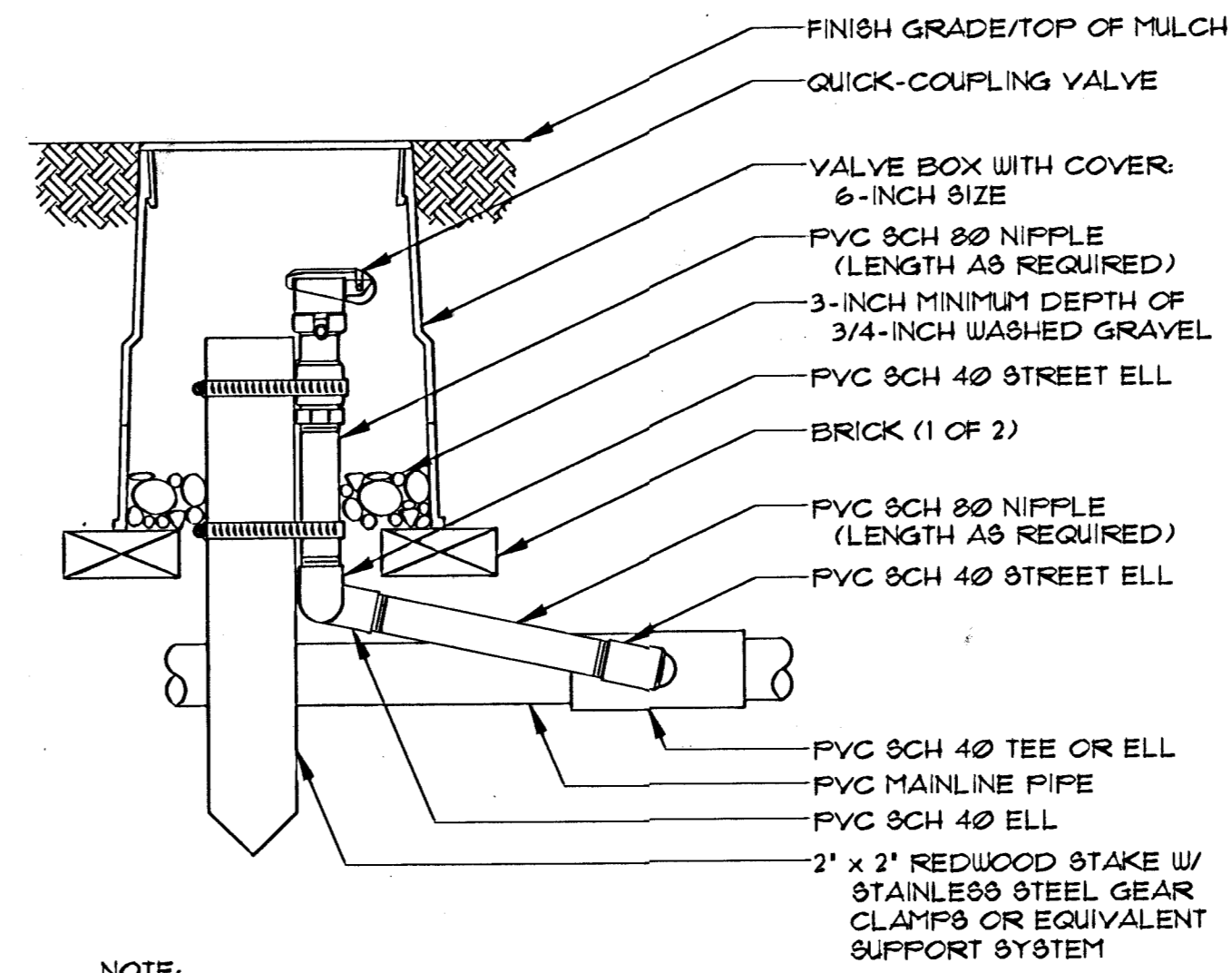
MAIN LINE ISOLATION VALVE

NO SCALE



ROTOR POP-UP SPRINKLER

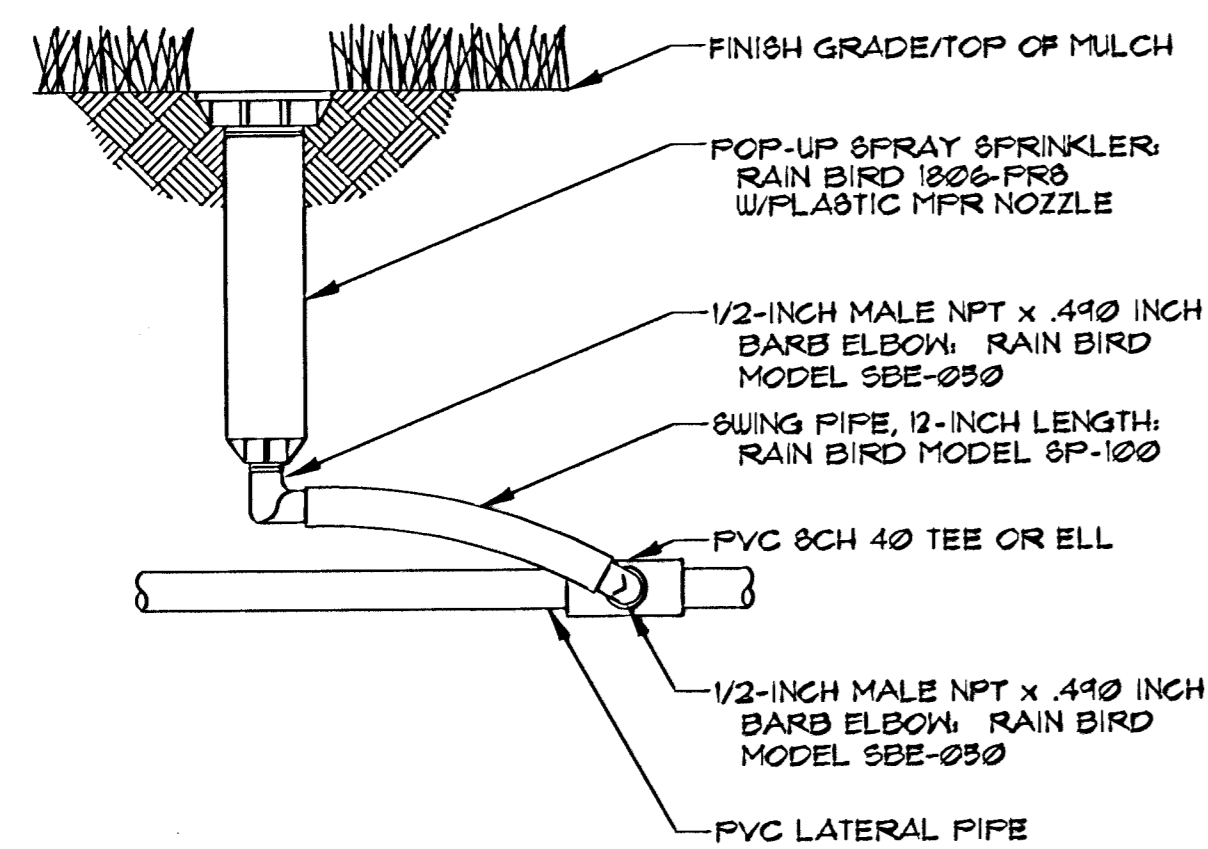
NO SCALE



NOTE:
1. FURNISH FITTINGS AND PIPING NOMINALLY SIZED IDENTICAL TO NOMINAL QUICK COUPLING VALVE INLET SIZE.

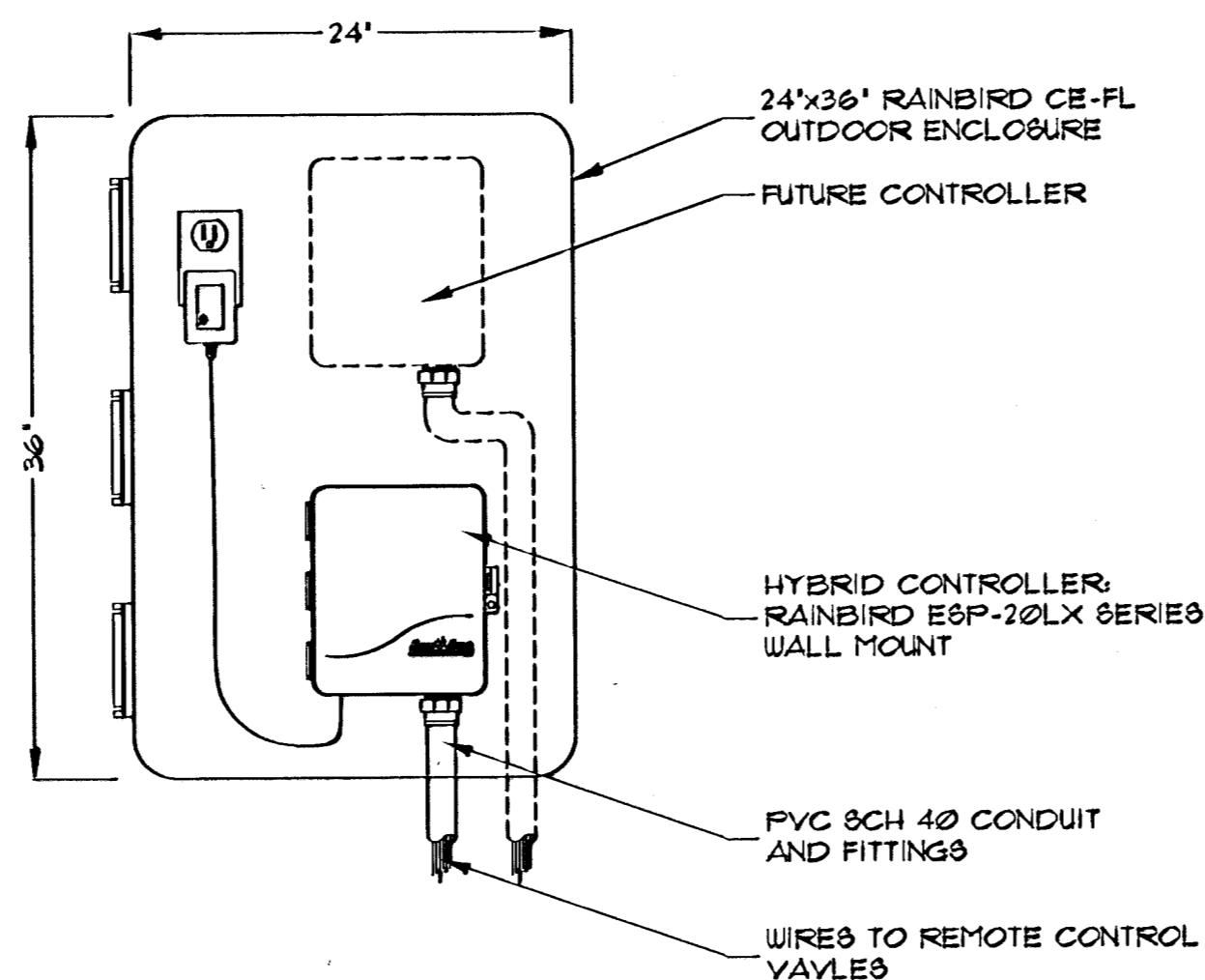
QUICK-COUPLING VALVE

NO SCALE



POP-UP SPRAY SPRINKLER

NO SCALE



CONTROLLER

NO SCALE



NORTHEAST SOCCER COMPLEX
PROJECT NAME

PHASE 1 - IRRIGATION DETAILS
SHEET TITLE

EL DESIGN BY:	LAB DRAWN BY:	EL/JAG CHECKED BY:
DECEMBER 2000 DATE	00197 JOB NO.	4 / 4 SHEET/OF