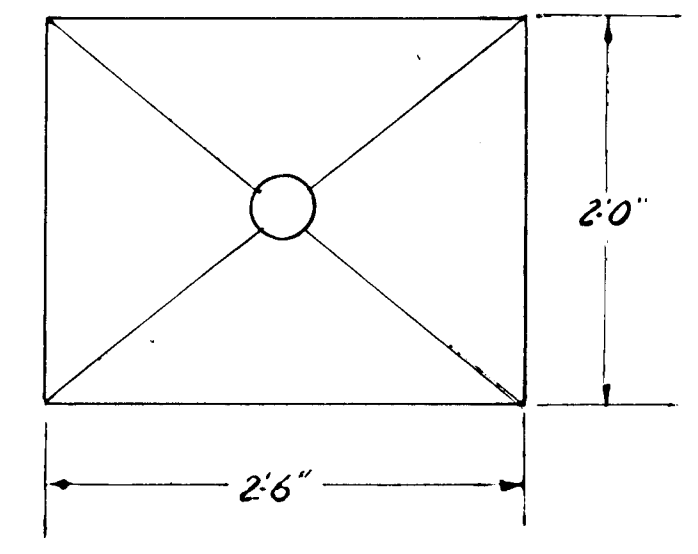
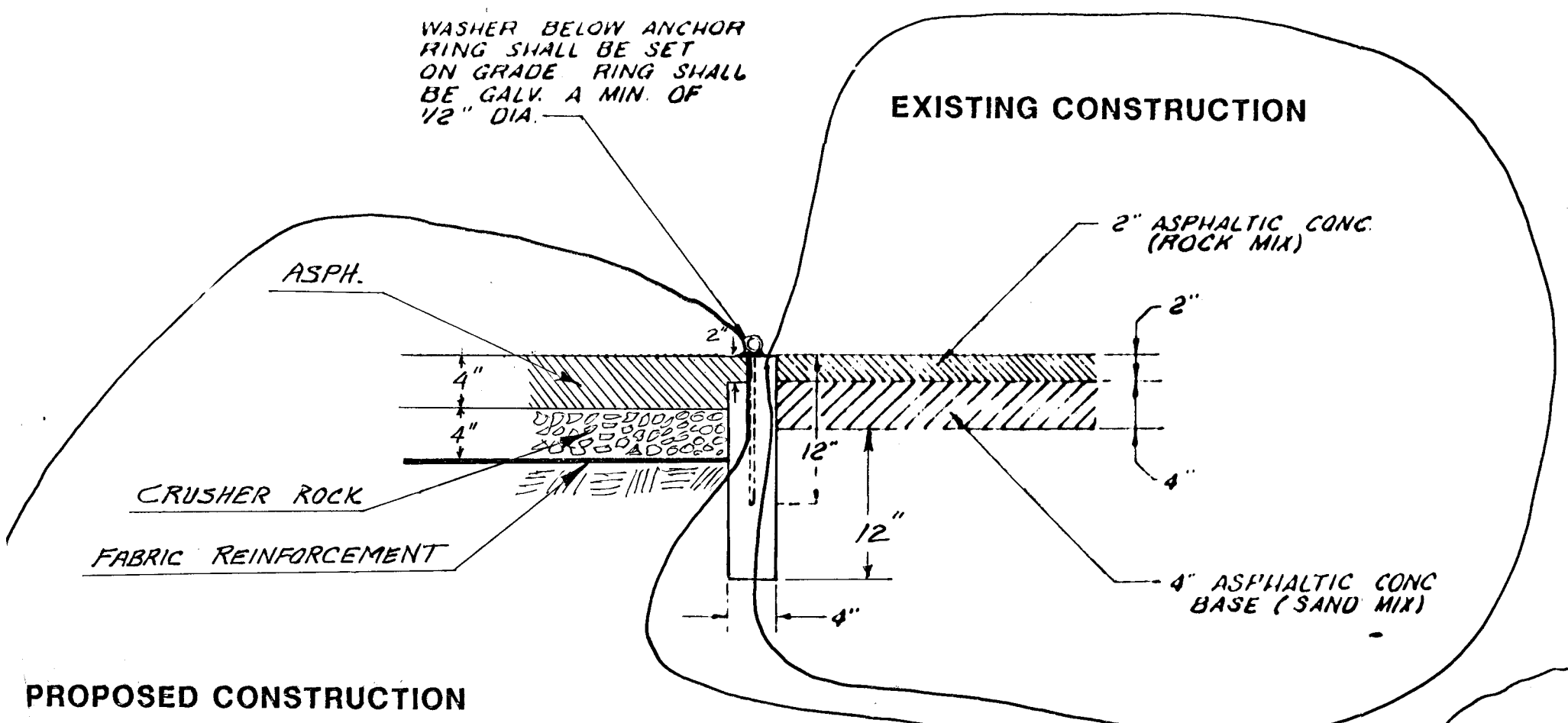


PROPOSED CONSTRUCTION
BASE BID
 ADD ALTERNATE #1
 ADD ALTERNATE #2

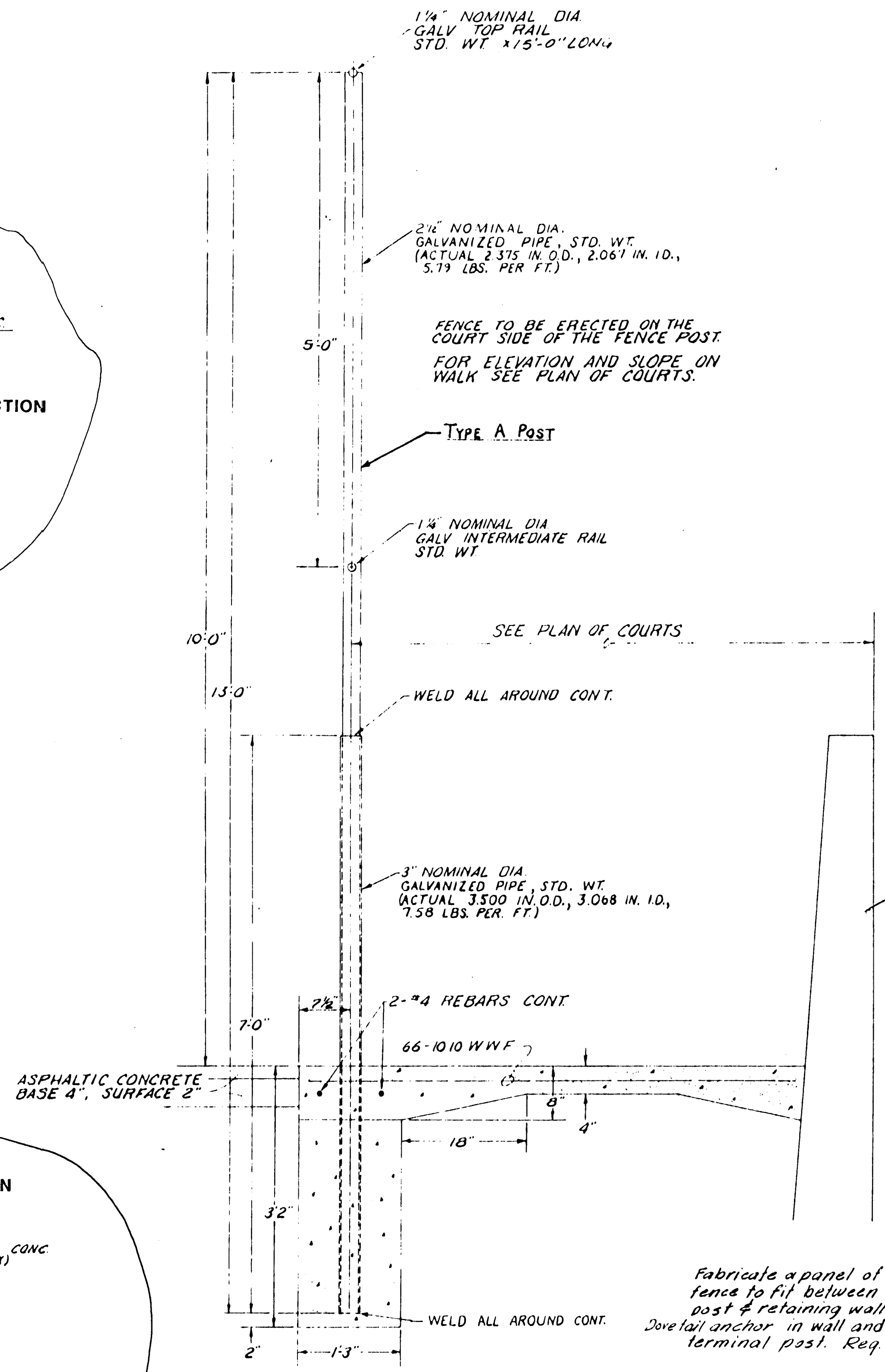


NET POST DETAIL
 SCALE 1" = 1'-0"

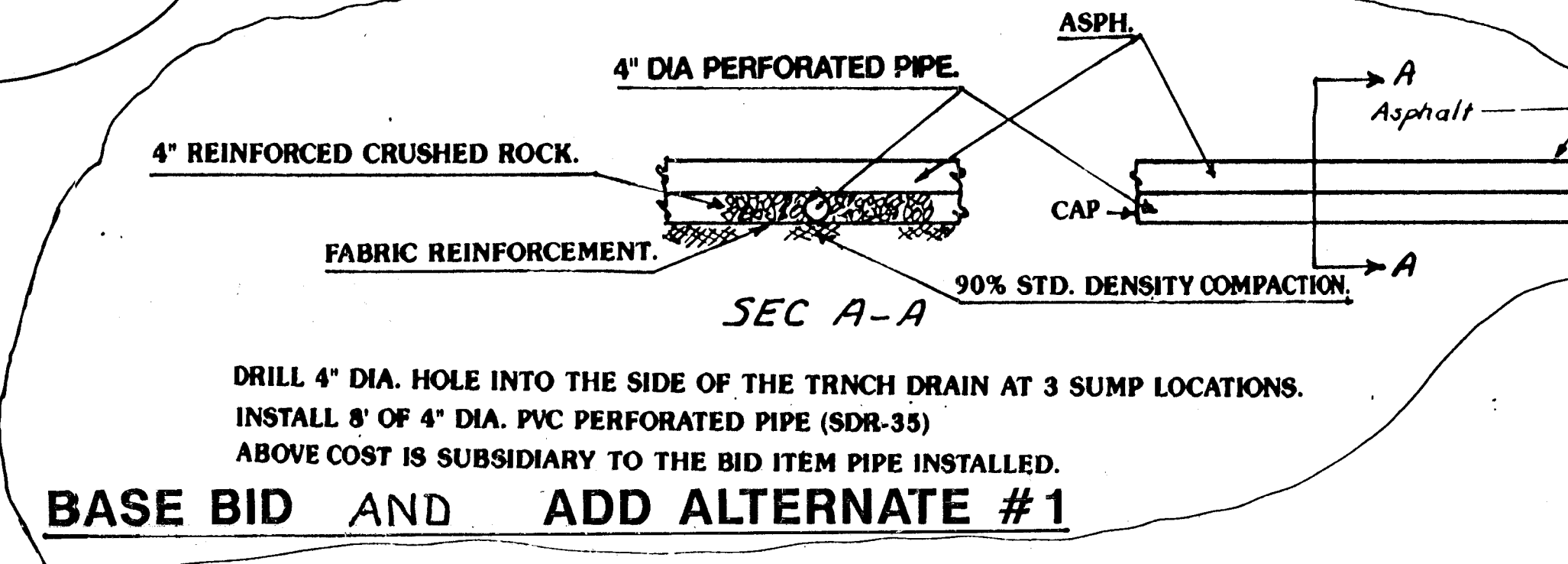


PROPOSED CONSTRUCTION
BASE BID
 ADD ALTERNATE #1
 ADD ALTERNATE #2

CENTER ANCHOR DETAIL
 SCALE 1" = 1'-0"

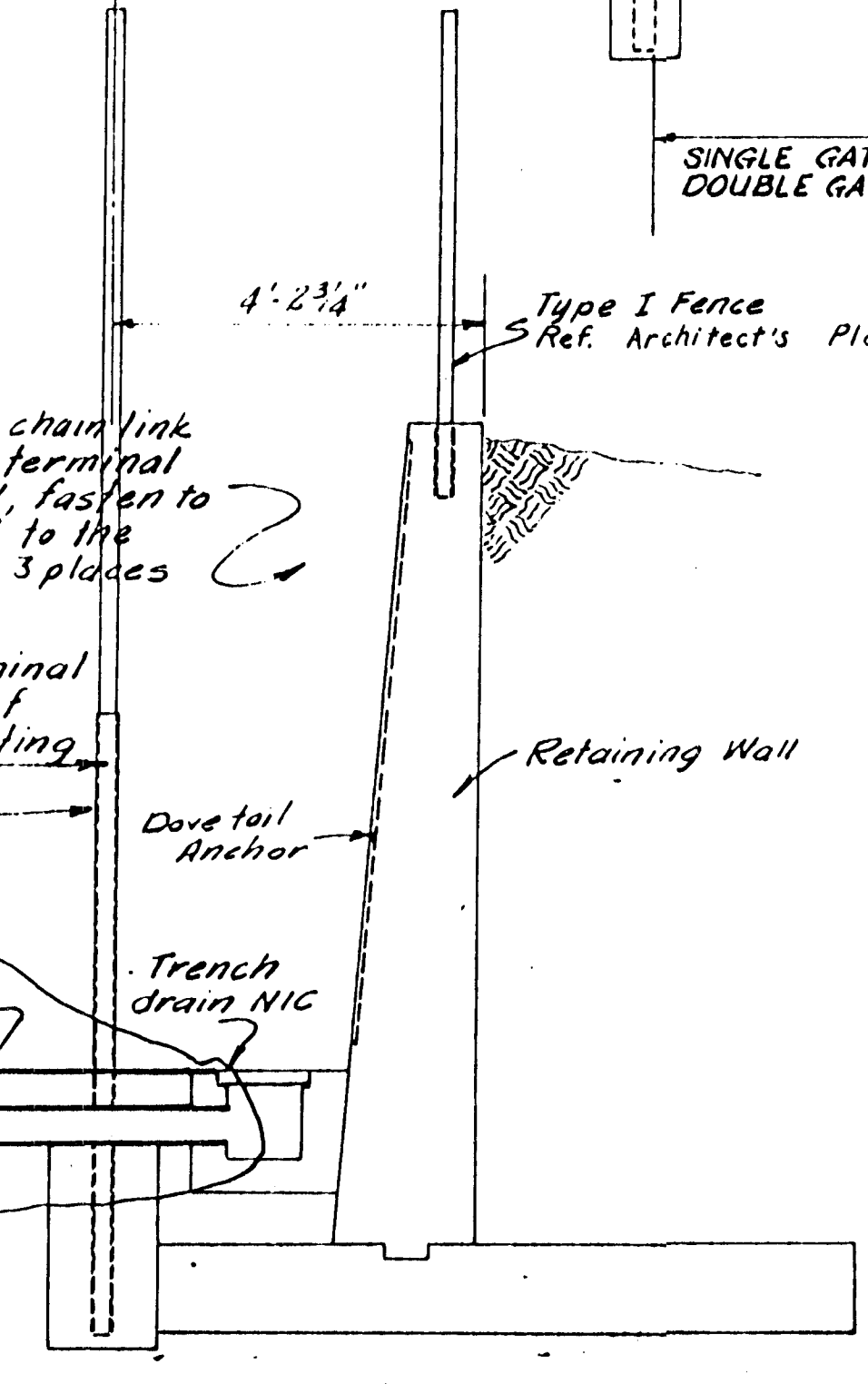


SECTION-A A
 THRU WALK AND FENCE LINE
 NO SCALE

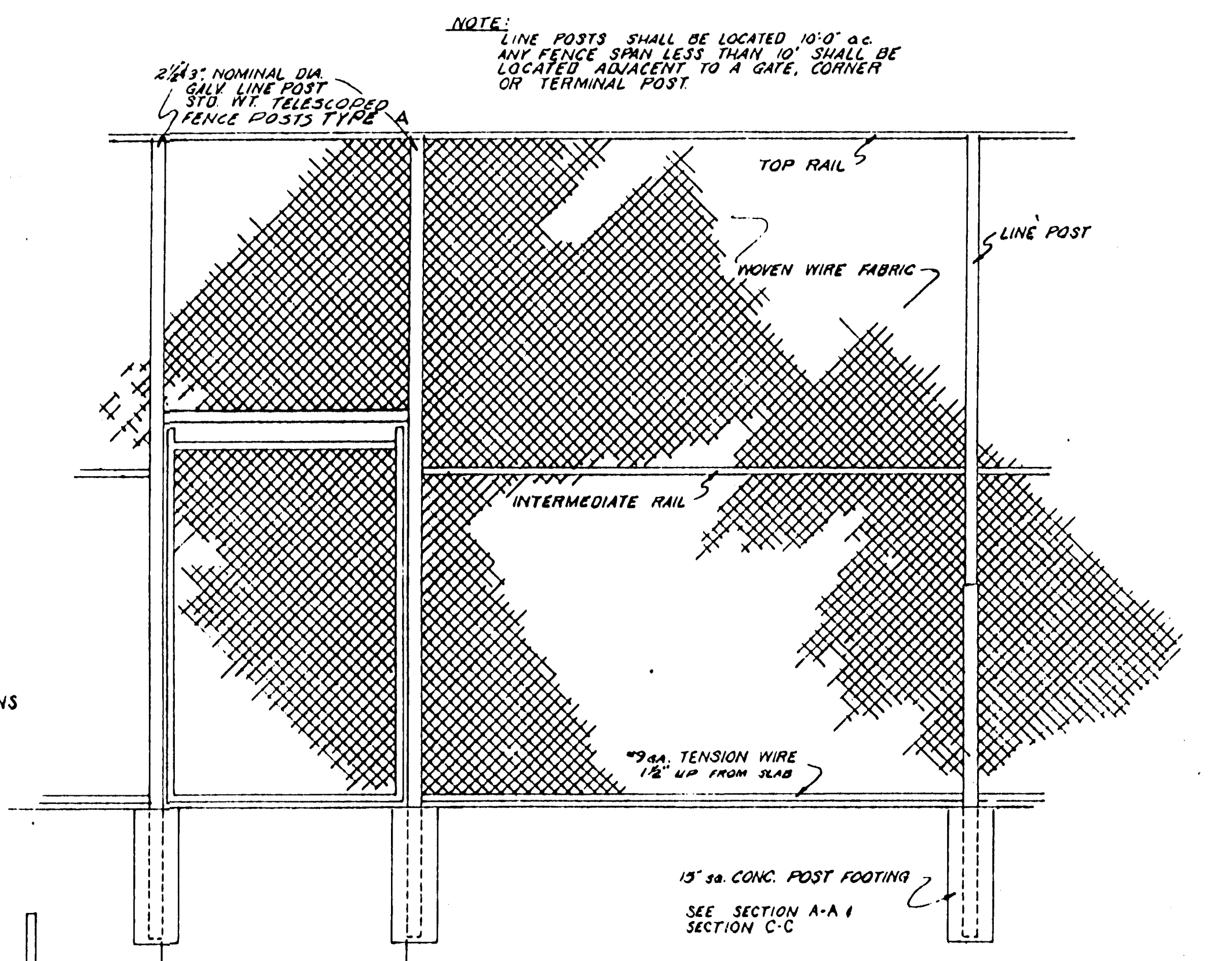


BASE BID AND ADD ALTERNATE #1

DRILL 4" DIA. HOLE INTO THE SIDE OF THE TRNCH DRAIN AT 3 SUMP LOCATIONS.
 INSTALL 8' OF 4" DIA. PVC PERFORATED PIPE (SDR-35)
 ABOVE COST IS SUBSIDIARY TO THE BID ITEM PIPE INSTALLED.



SECTION B-B
 Scale 1/2" = 1'-0"



TYPICAL COURT LEVEL FENCING
 SCALE 1/2" = 1'-0"

NOTE: LINE POSTS SHALL BE LOCATED 10'-0" OC AND FENCE SPAN LESS THAN 10' SHALL BE LOCATED ADJACENT TO A GATE, CORNER OR TERMINAL POST

Fabricate a panel of chain link fence to fit between terminal post & retaining wall, fasten to dove tail anchor in wall and to the terminal post. Req. 3 places

Fence terminal post to be clear of retaining wall footing

DETAILS			
SOUTH RIVERSIDE PARK			
PROJ. NO. 472-82689			
BOARD OF PARK COMMISSIONERS WICHITA, KANSAS			
DATE	DRAWN D.P.R.	SCALE	SHEET 6 OF 6