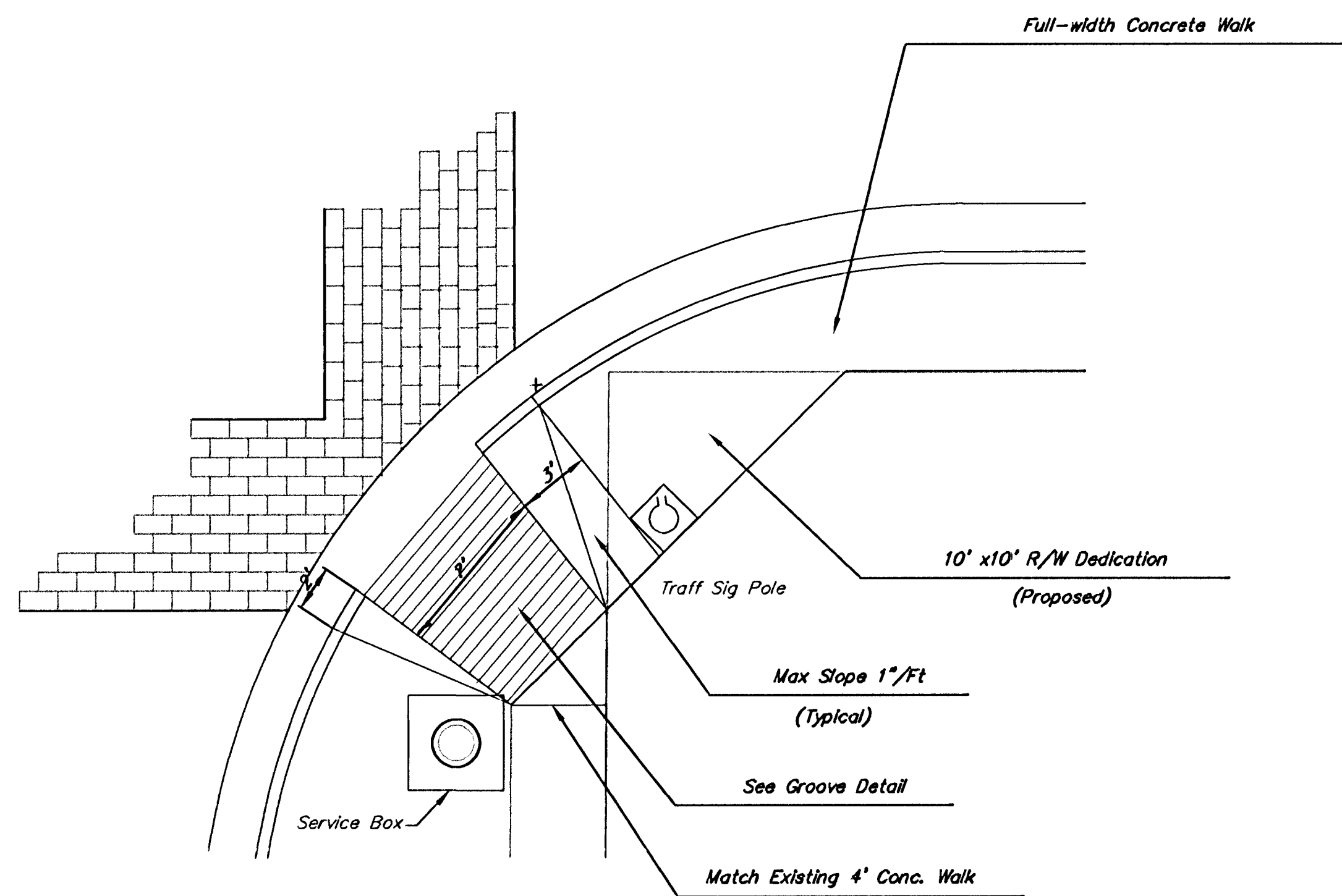
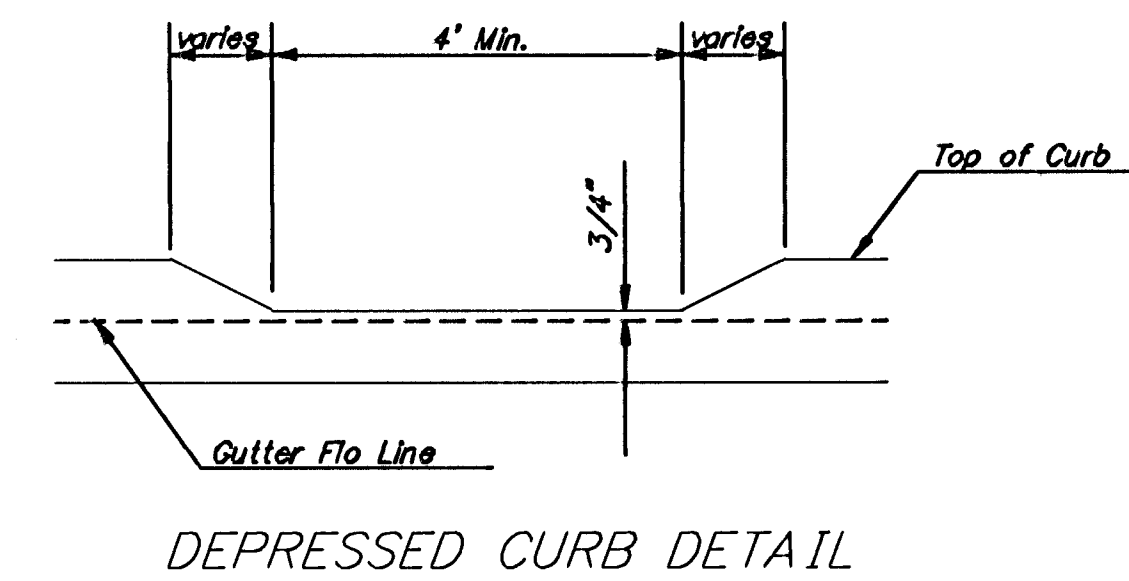
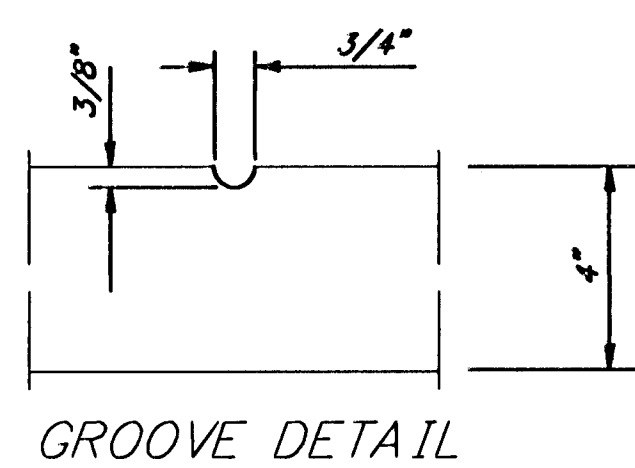
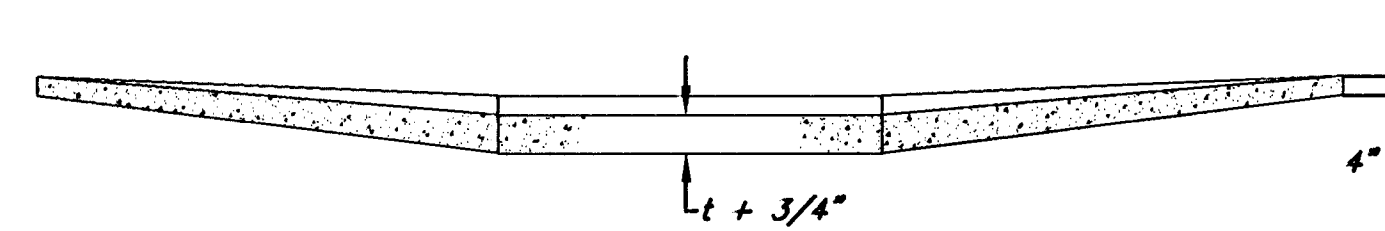
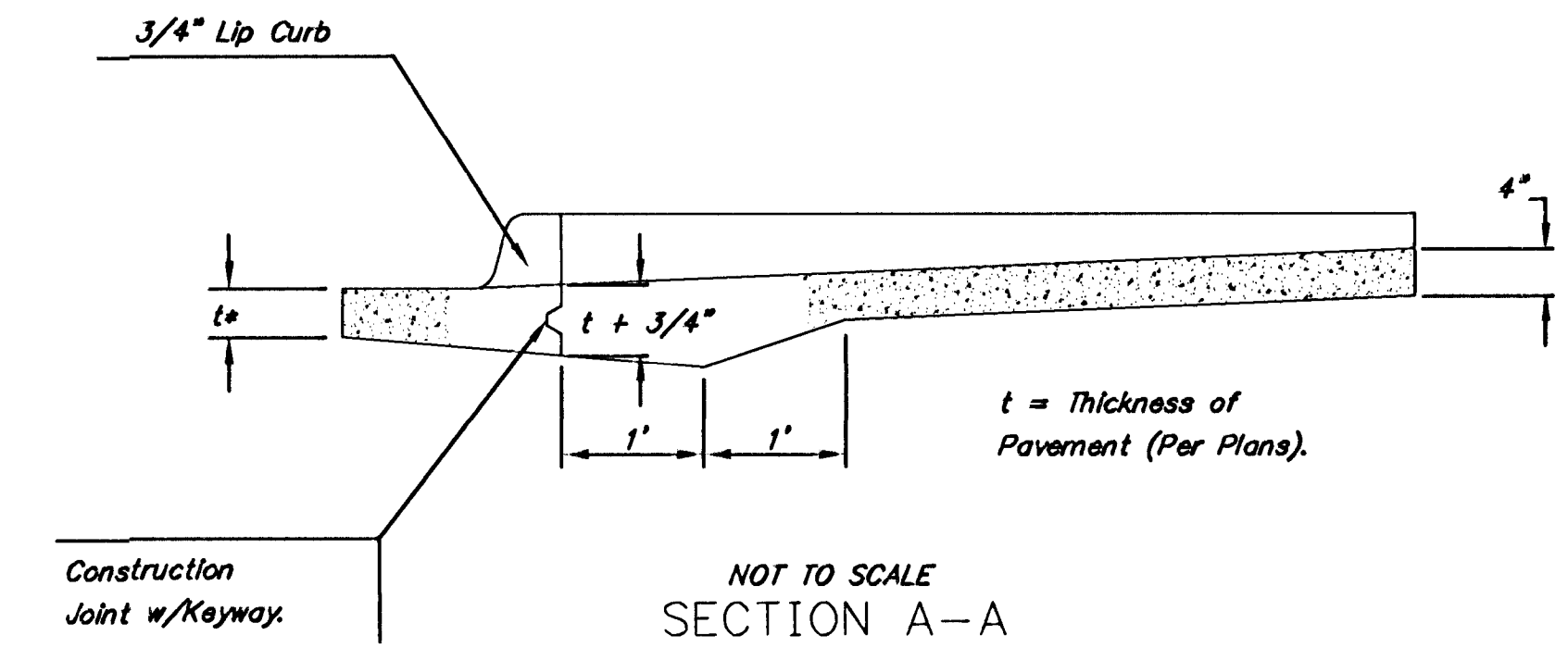
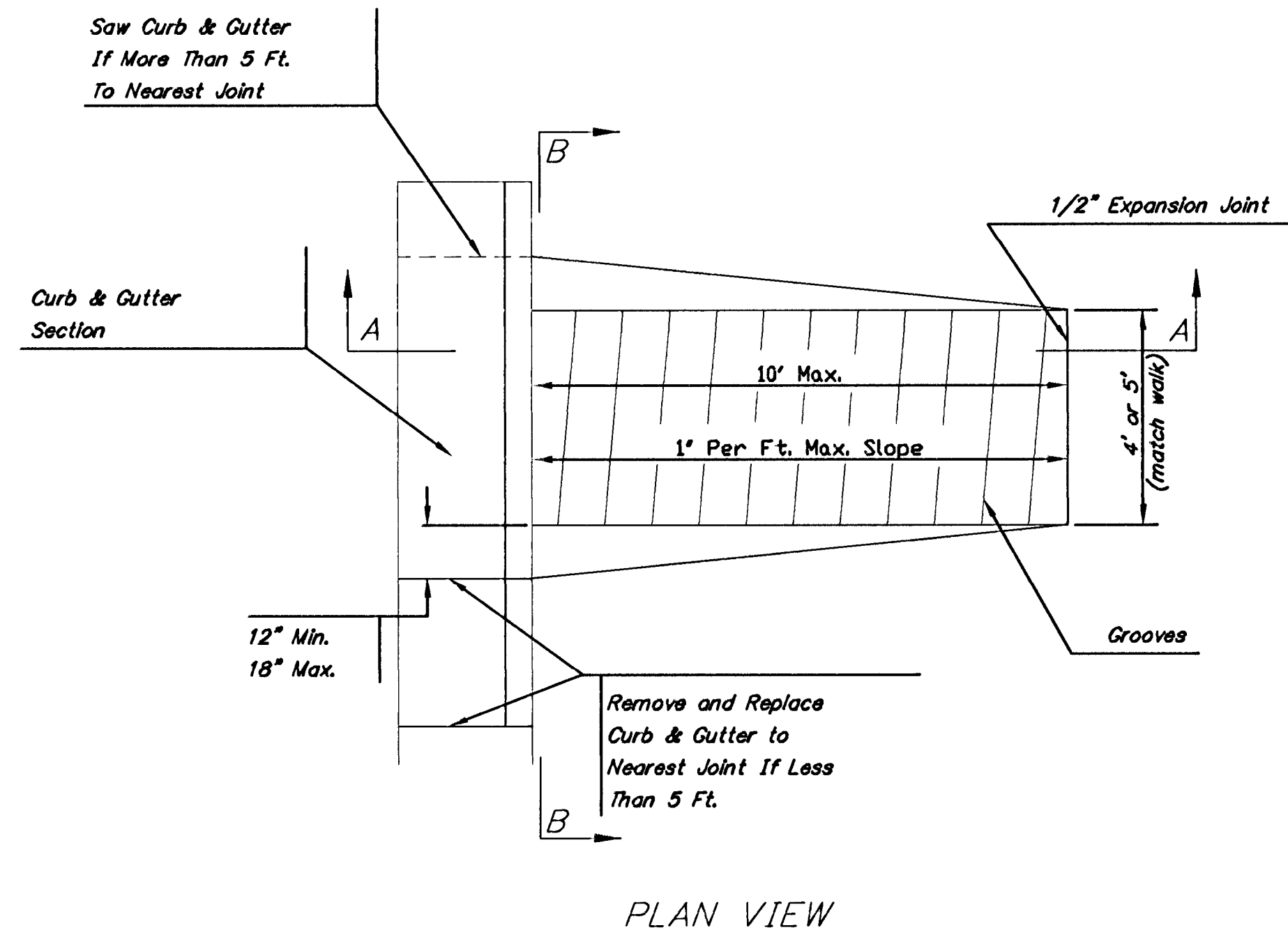
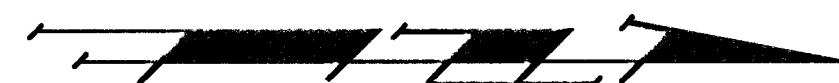


NW CORNER HARRY
@ EDGEMOOR
NOT TO SCALE



NE CORNER HARRY
@ EDGEMOOR
NOT TO SCALE



REVISED 8-23-95 JKB

HARRY AND EDGEMOOR INTERSECTION
WHEELCHAIR RAMP DETAILS

BAUGHMAN COMPANY P. A.
ENGINEERING & SURVEYING
316/282-7271 • 315 ELLIS • WICHITA, KANSAS 67211

PROJECT NUMBER		SHEET	
468-82138 & 472-82668		5	
DESIGN	DRAWN	UTIL CHECK'D	DATE
TCR	SONNY	-----	8-3-92
SCALE		NONE	
		38	