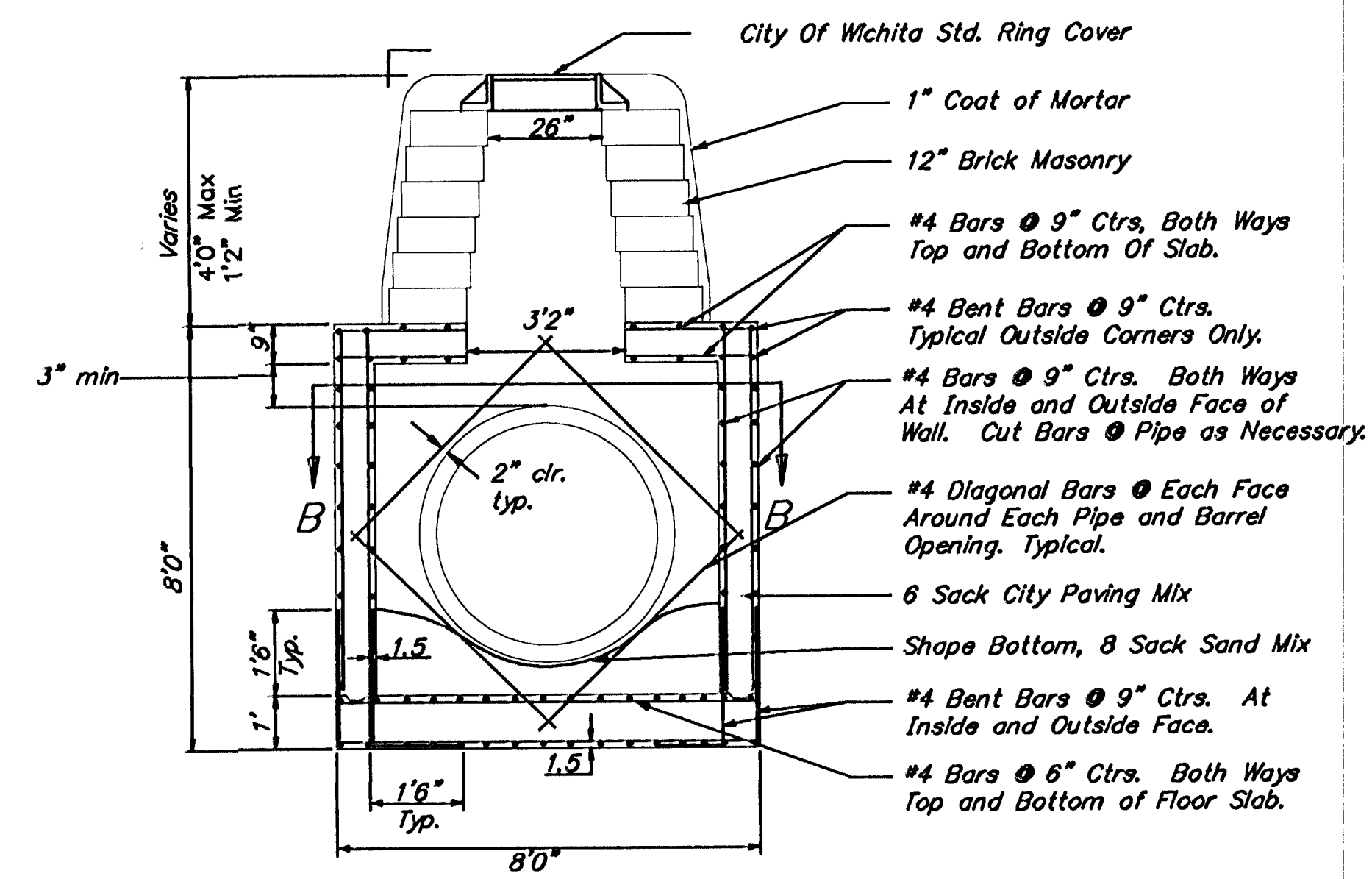
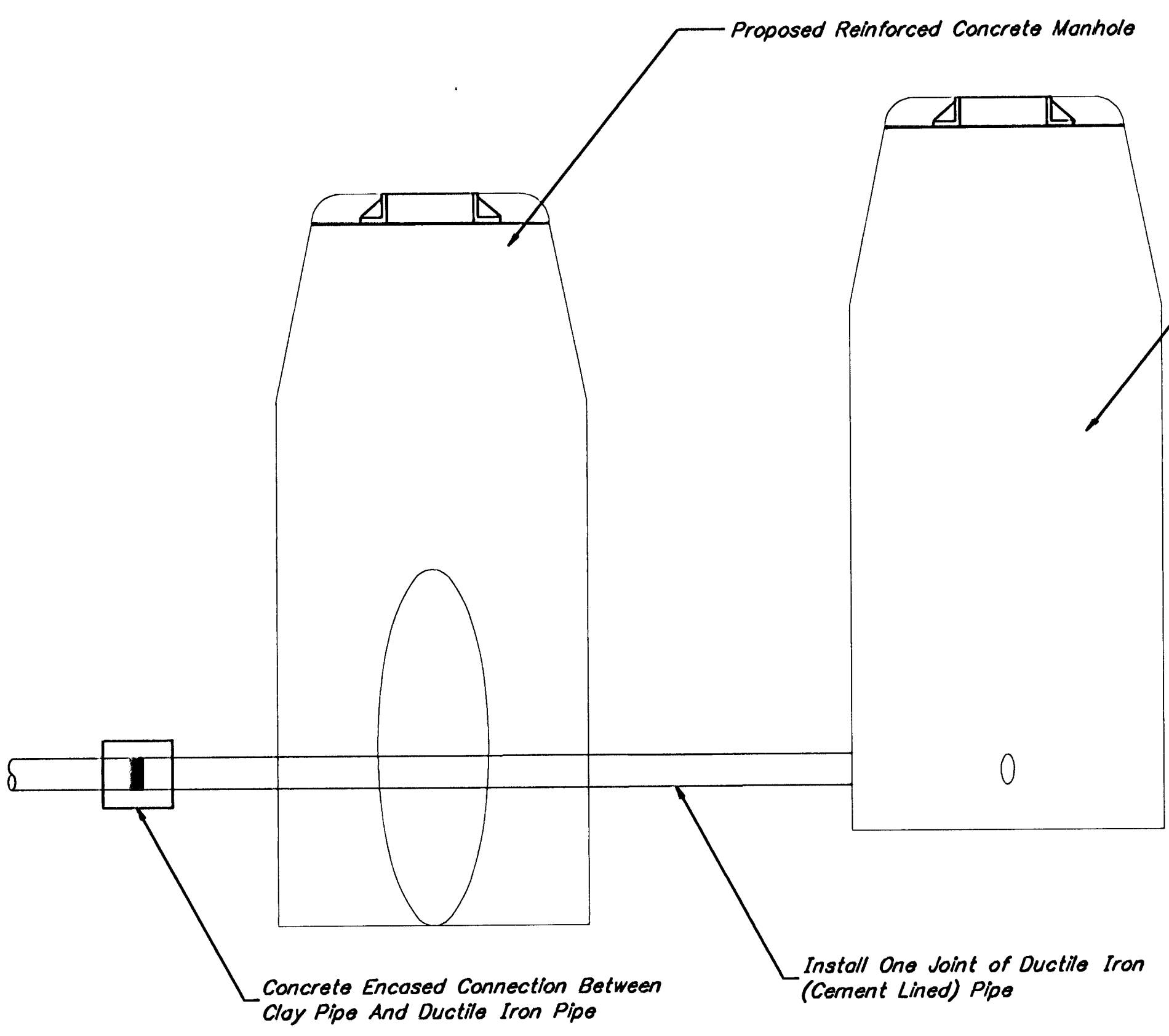


NOTE:
Bend Bars Not More Than 8"
to Clear Pipes, or Cut Bars
2" Clear of Pipe, as Necessary.

SECTION B-B



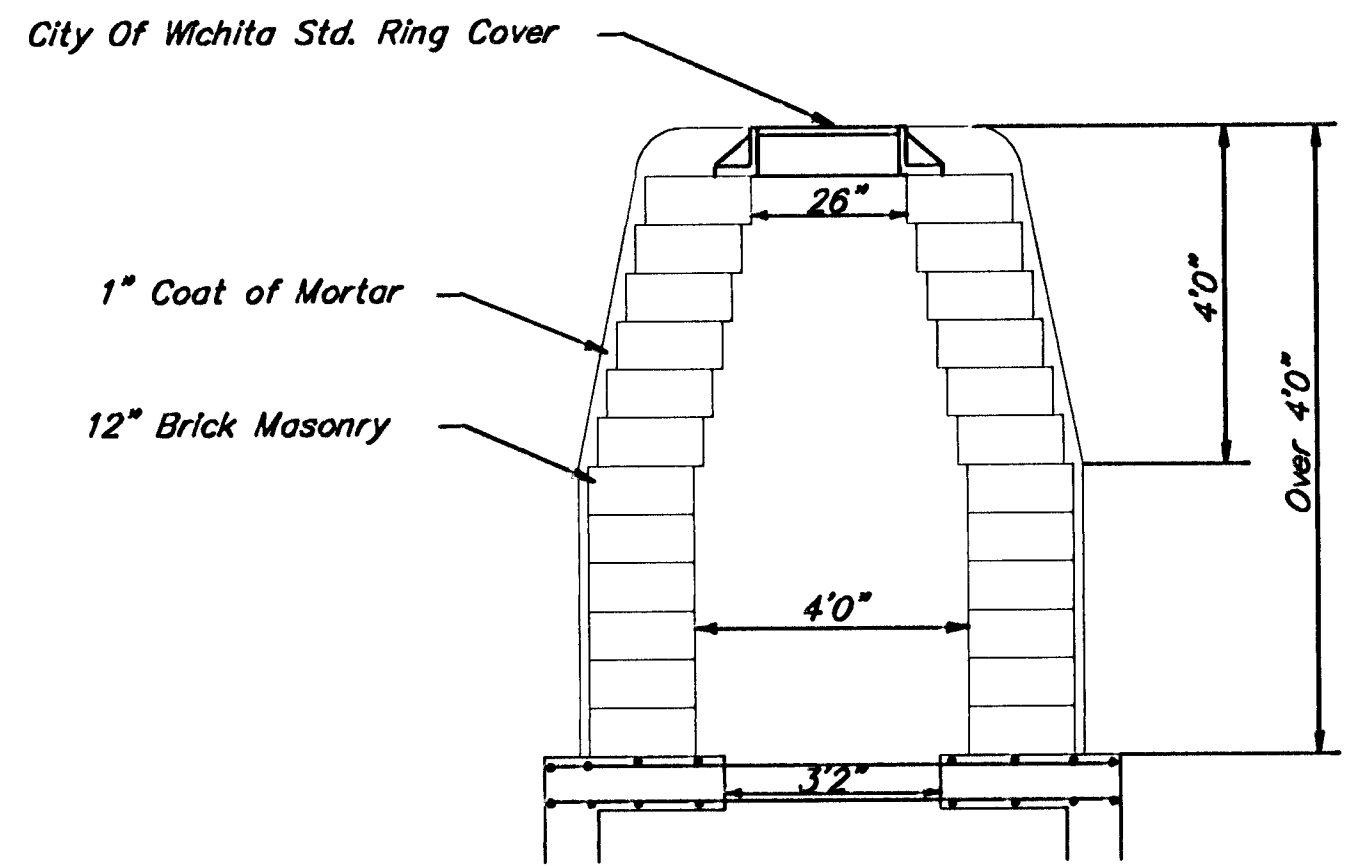
REINFORCED CONCRETE MANHOLE
STACK 2.33' TO 4'0"



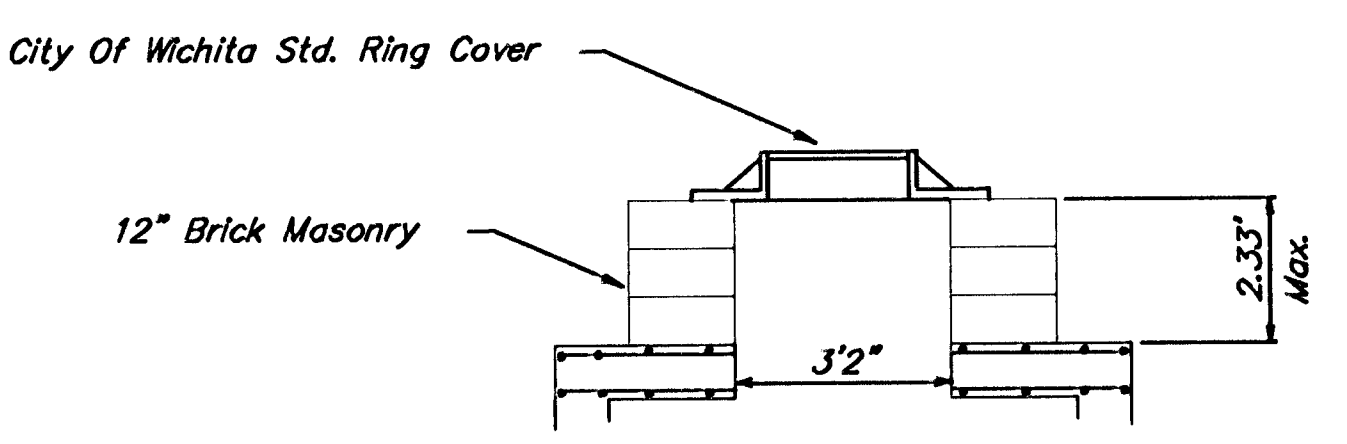
Ductile Iron Pipe Detail
Station 15+56.8, Sheet 10

GENERAL NOTES:


- MORTAR USED IN MASONRY CONSTRUCTION SHALL CONTAIN 8 SACKS OF CEMENT PER CUBIC YARD. CONCRETE USED IN MANHOLE WALLS AND BASES SHALL CONFORM TO THE REQUIREMENTS FOR CONCRETE PAVEMENT CONSTRUCTION AS SPECIFIED IN THE CITY STANDARD PAVING SPECIFICATIONS, USING CITY CONCRETE PAVEMENT MIX WITHOUT AIR ENTRAINING ADMIXTURE. MORTAR SHALL BE PLACED AROUND THE MANHOLE RING AS SHOWN ON THE DRAWINGS.
 - WHEN MANHOLES ARE CONSTRUCTED IN UNPAVED AREAS, COMPLETED MANHOLE SHALL BE WITHOUT LEAKS AND WATER TIGHT.
 - THE FLOORS OF ALL MANHOLES SHALL BE SHAPED WITH FLOW CHANNELS SUCH THAT THE MANHOLES WILL BE SELF CLEANING. USING 8-SACK SAND MIX CONCRETE. FLOW CHANNELS SHALL BE FORMED TO MATCH THE BOTTOM HALVES OF THE INFLOWING PIPES AND THE OUTFLOWING PIPE. MANHOLE FLOORS SHALL HAVE SLOPES OF 3 INCHES PER FOOT IN THE AREAS OUTSIDE OF THE FLOW CHANNELS SLOPED TOWARD THE FLOW CHANNELS.
 - MANHOLE COVER CASTINGS AND MANHOLE FRAME CASTINGS SHALL CONFORM TO THE REQUIREMENTS AS INDICATED IN THE STANDARD SPECIFICATIONS AND AS SHOWN IN THE STANDARD DETAIL DRAWING.
- THE ENDS OF ALL PIPES IN MANHOLES SHALL BE CUT OFF FLUSH WITH THE INSIDE FACE OF MANHOLE WALL.



MANHOLE STACK OVER 4'0"



MANHOLE STACK LESS THAN 2.33'

REINFORCED CONCRETE MANHOLE DETAIL				
HARRY & EDMOOR				
		BAUGHMAN COMPANY P. A. ENGINEERING & SURVEYING 316/282-7271 • 315 ELLIS • WICHITA, KANSAS 67211		
PROJECT NUMBER				SHEET
468-82138 & 472-82668				21
DESIGN	DRAWN	UTIL CHECK'D	DATE	SCALE
DESIGN	DRAWN	UTILITIES	DATE	SCALE
				38