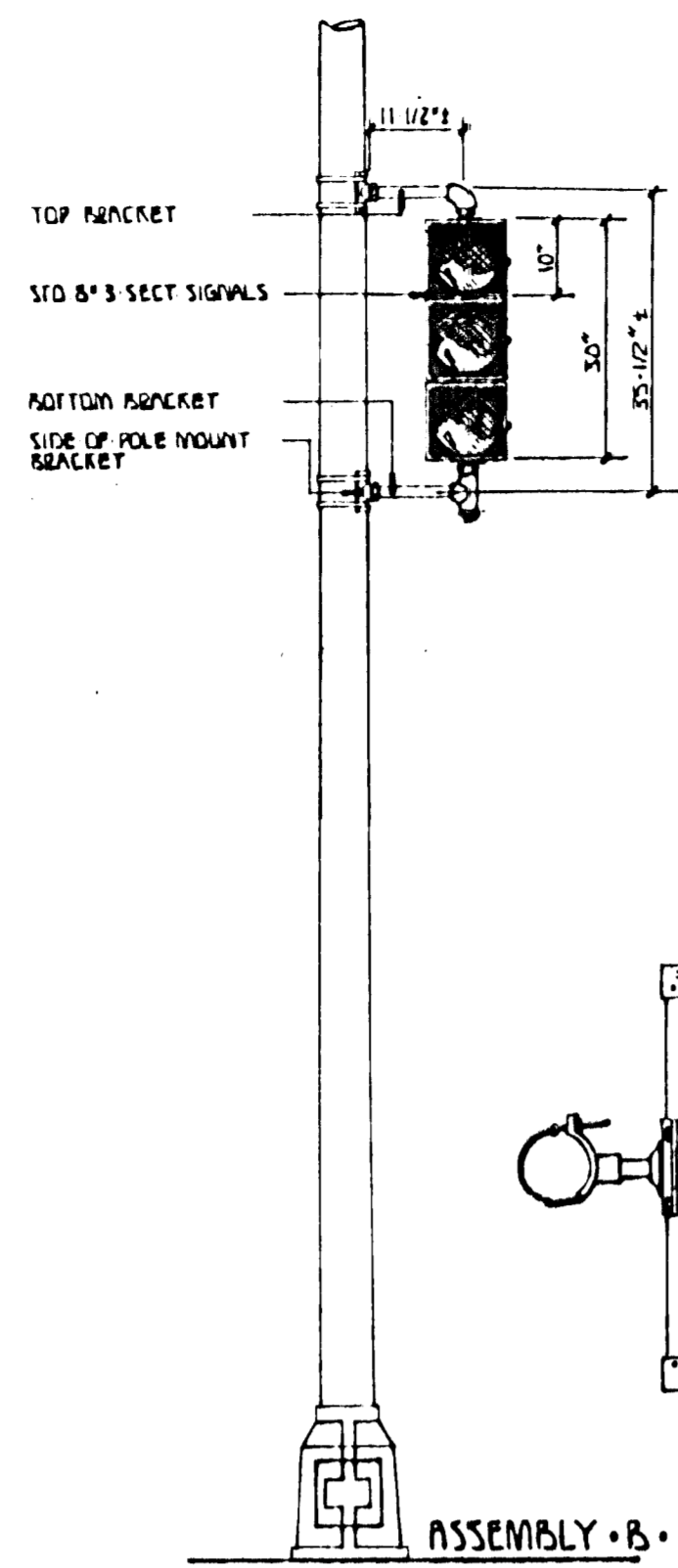
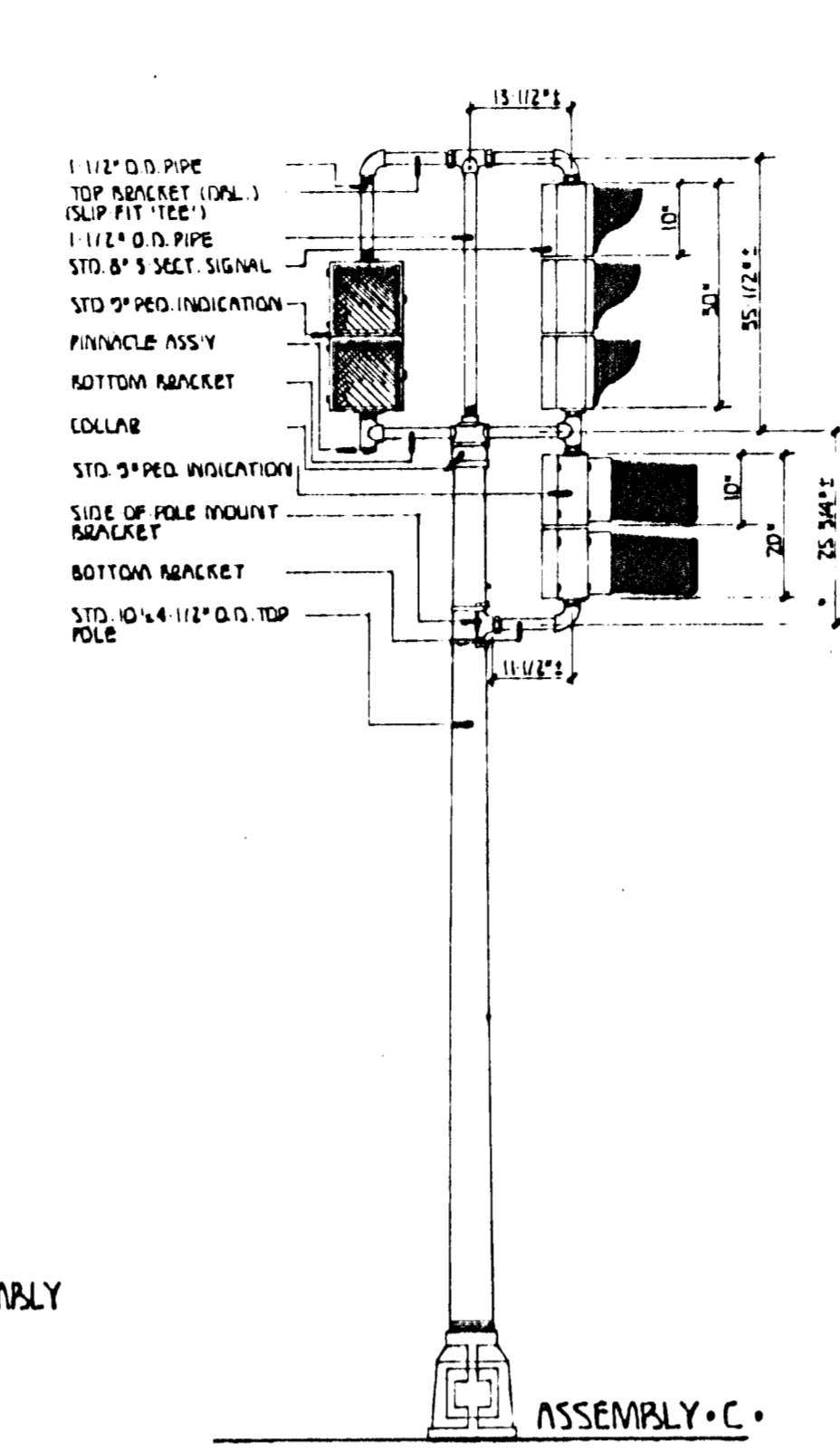


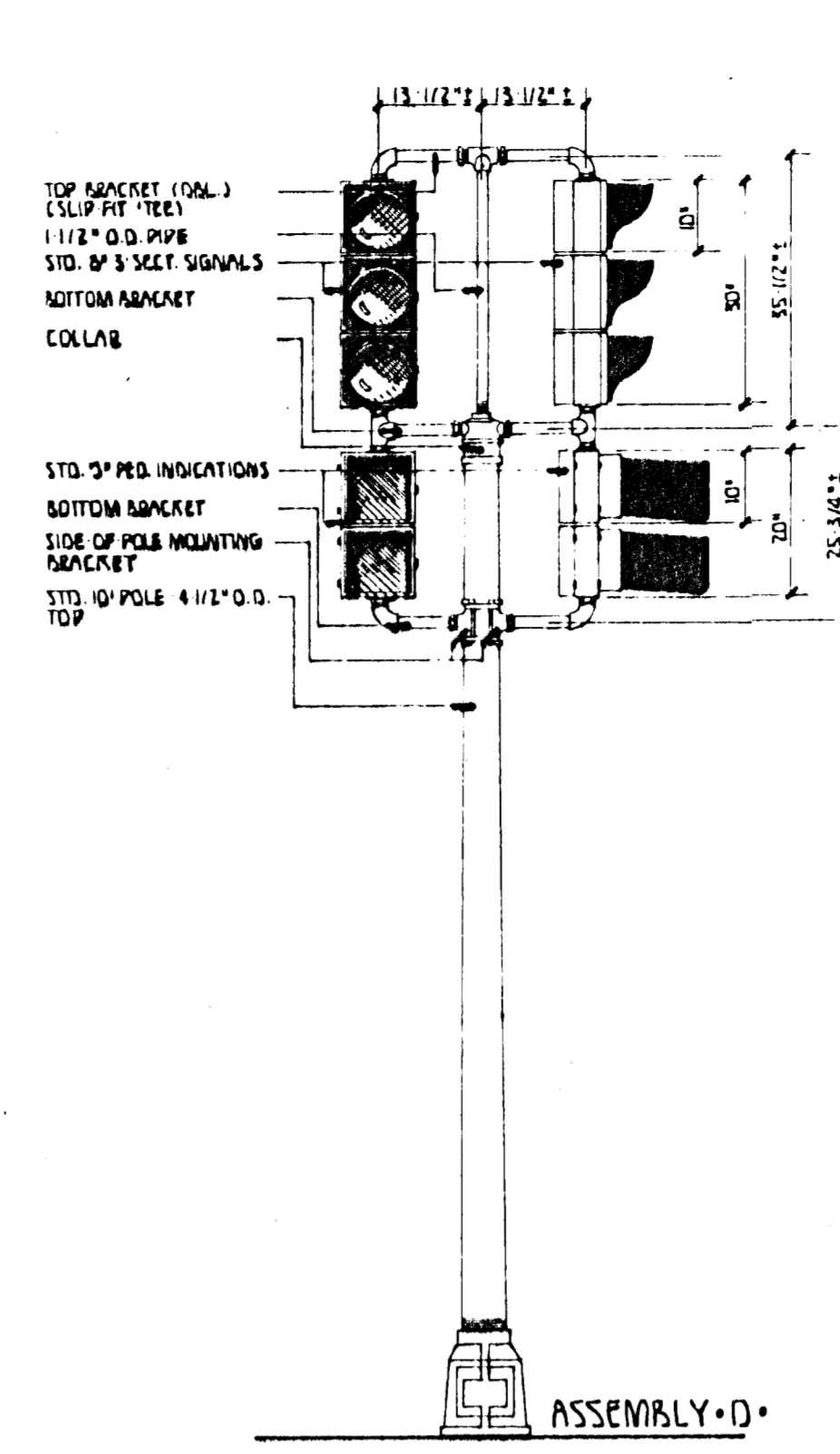
ASSEMBLY A



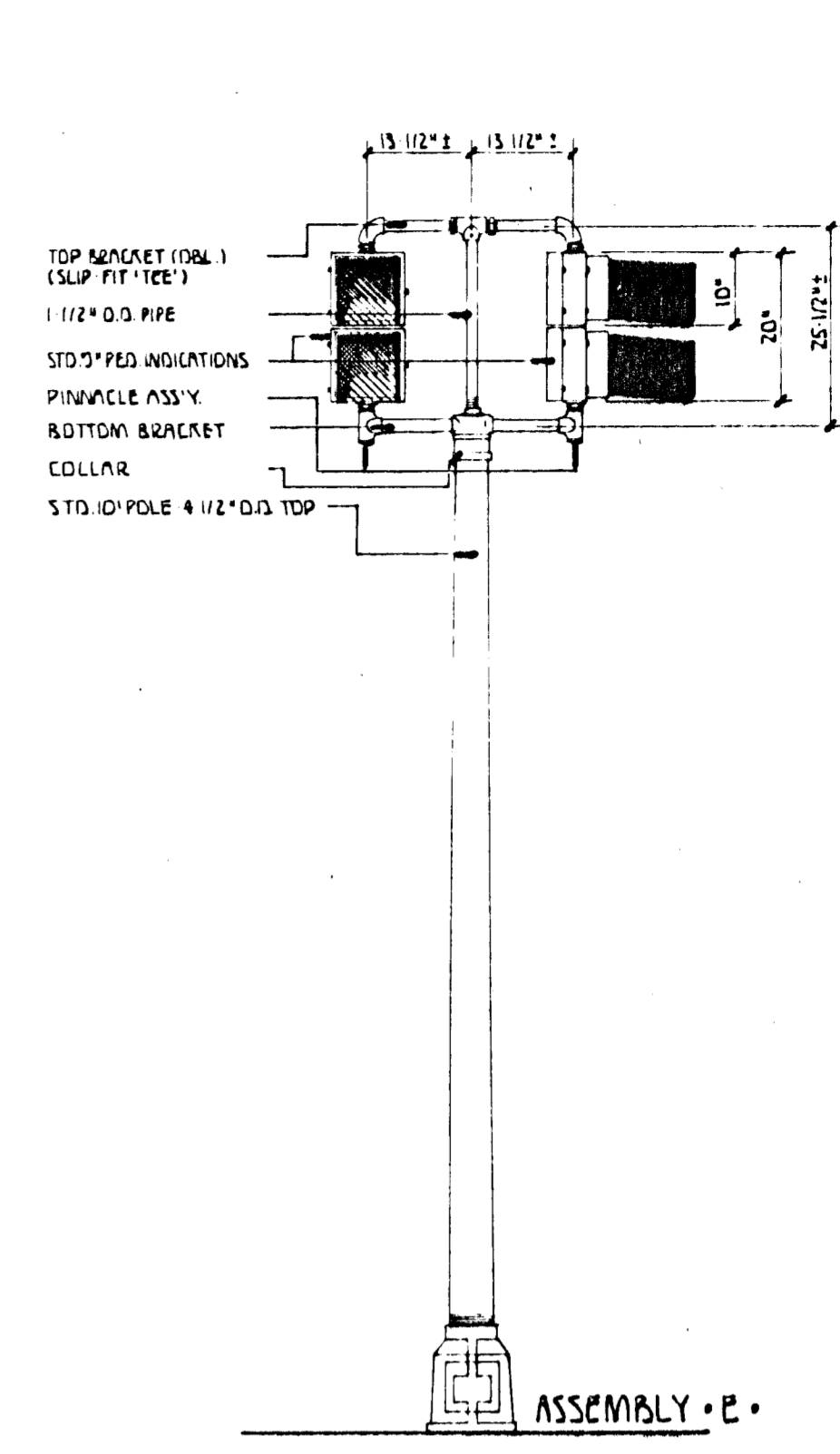
ASSEMBLY B



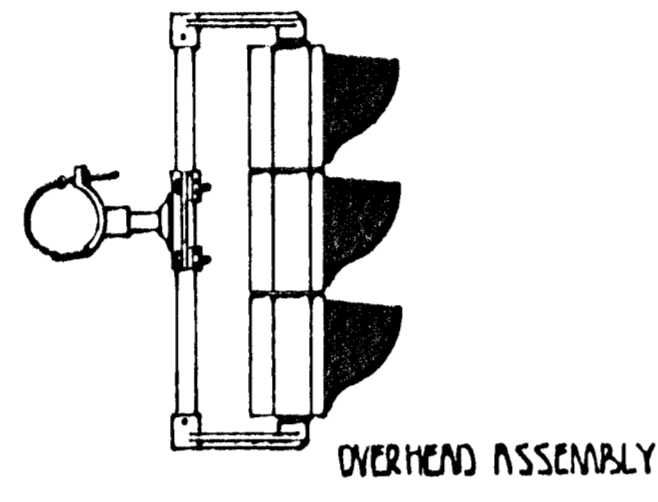
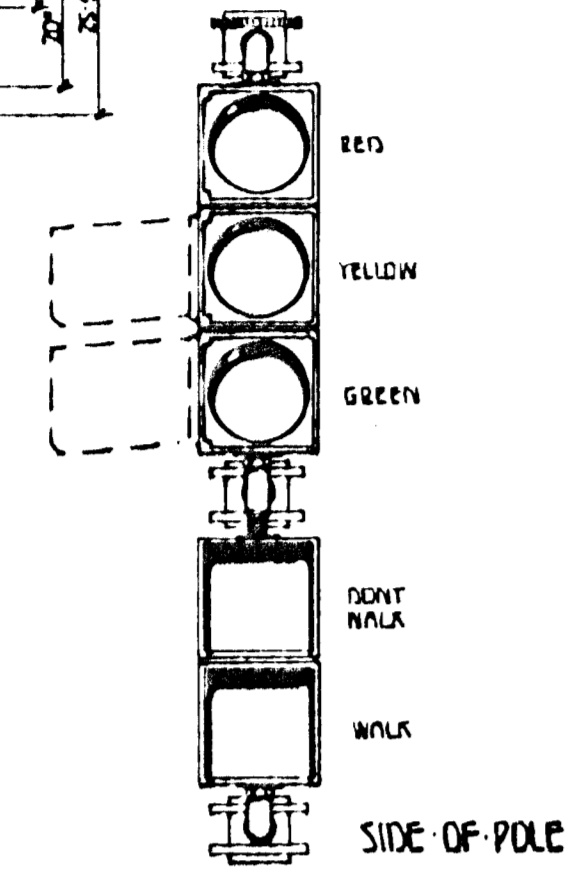
ASSEMBLY C



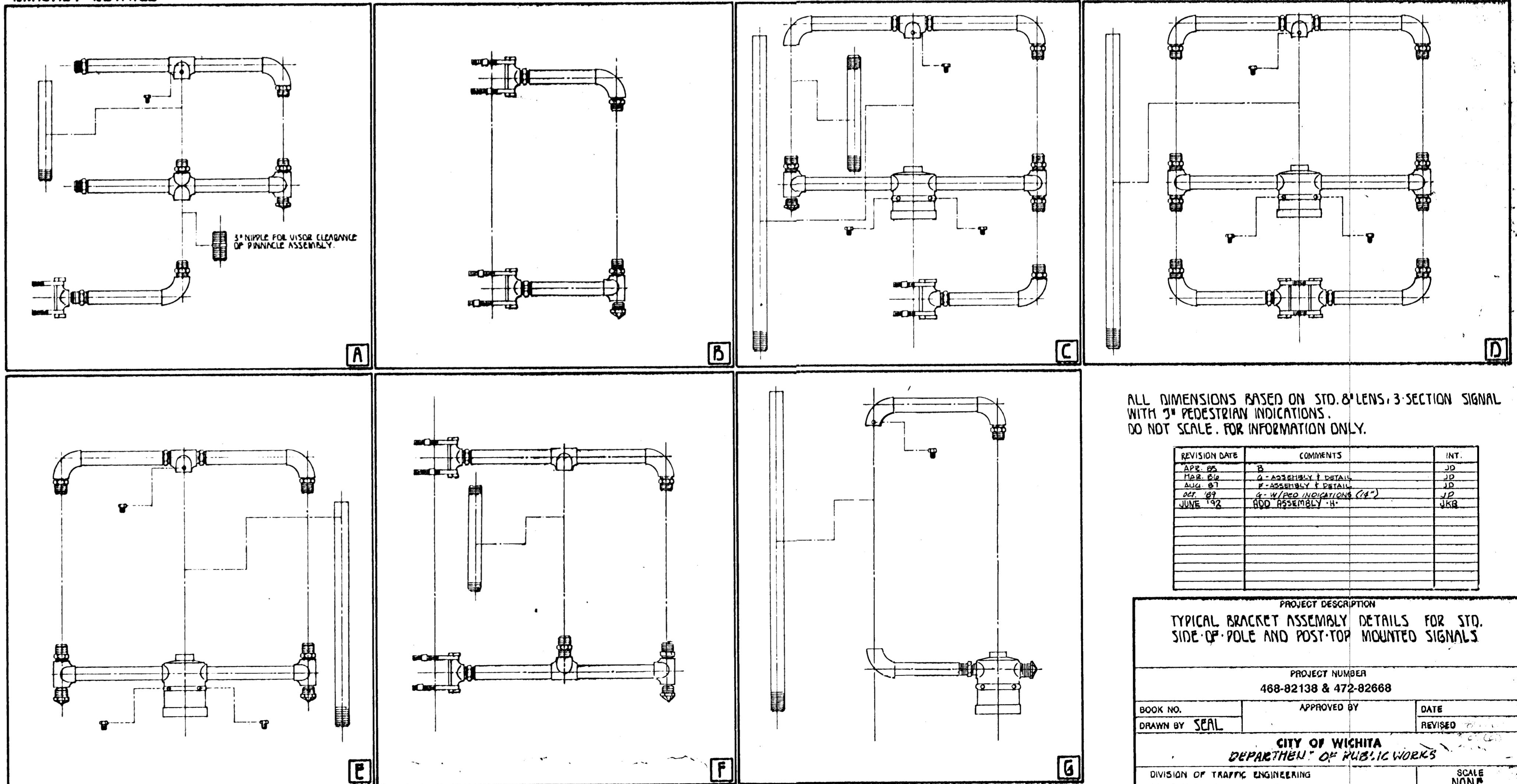
ASSEMBLY D



ASSEMBLY E



BRACKET DETAILS



ALL DIMENSIONS BASED ON STD. 8\"/>

REVISION DATE	COMMENTS	INT.
APR 95	B	JD
MAR 96	A - ASSEMBLY F DETAILS	JD
MAY 97	F - ASSEMBLY F DETAILS	JD
SEP 98	G - 10\"/>	
JUNE 99	ADD ASSEMBLY H	WKB

PROJECT DESCRIPTION
TYPICAL BRACKET ASSEMBLY DETAILS FOR STD. SIDE-OF-POLE AND POST-TOP MOUNTED SIGNALS

PROJECT NUMBER 468-82138 & 472-82668		
BOOK NO.	APPROVED BY	DATE
DRAWN BY SEAL		REVISED
CITY OF WICHITA DEPARTMENT OF PUBLIC WORKS		
DIVISION OF TRAFFIC ENGINEERING WM G. MCKINLEY, TRAFFIC ENGINEER		SCALE NONE