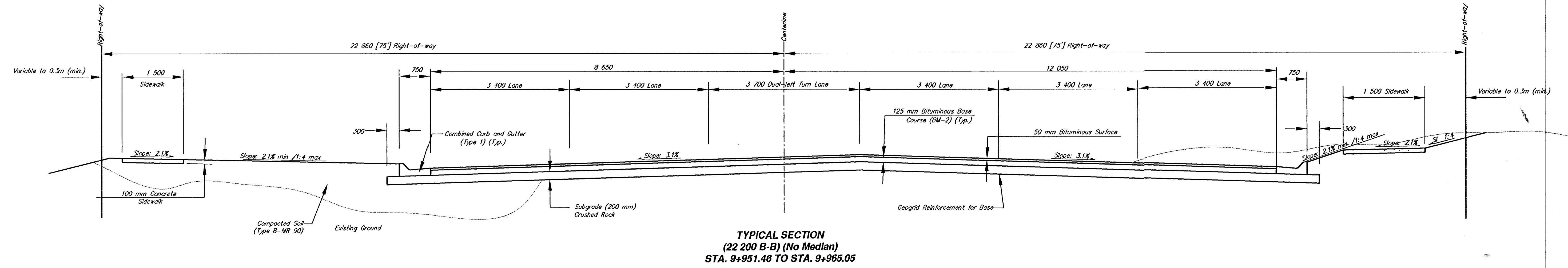
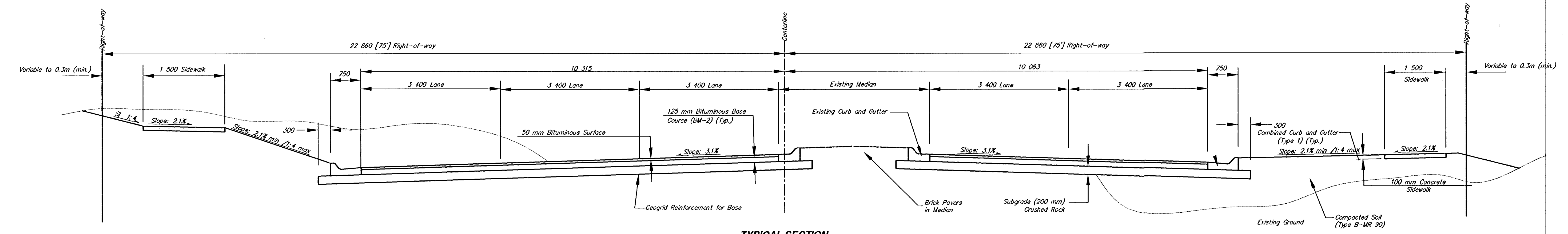


FHWA REGION NO.	STATE	PROJECT NUMBER	FISCAL YEAR	SHEET NUMBER	TOTAL SHEETS
7	KANSAS	87N-0127-01	1999	5	90

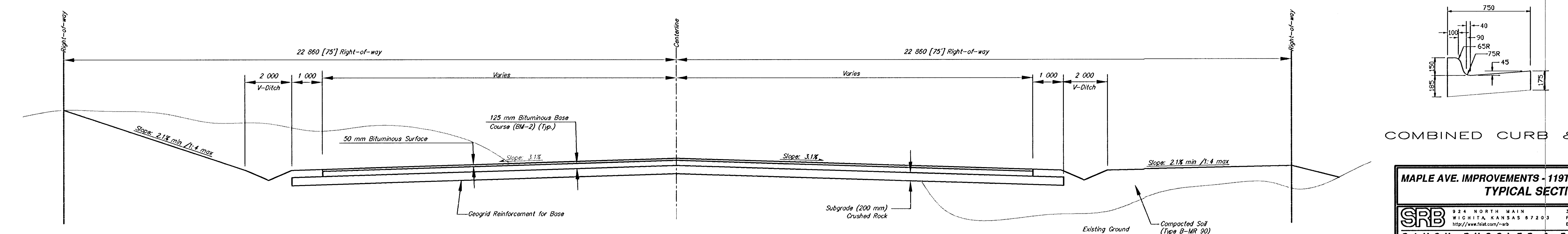
BY	DATE
REFERENCES NOTED	
REFERENCES CHECKED	



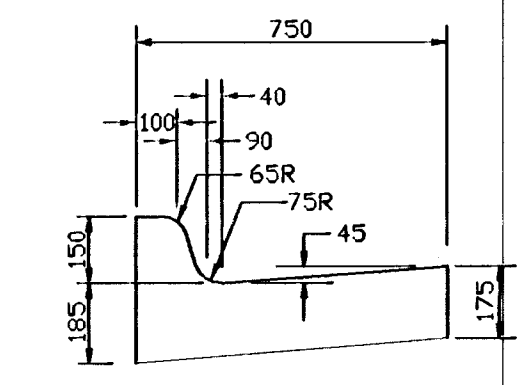
**TYPICAL SECTION  
(22 200 B-B) (No Median)  
STA. 9+951.46 TO STA. 9+965.05**



**TYPICAL SECTION  
(22 200 B-B) (Median)  
STA. 5+030.59 TO STA. 5+077.31**



**TYPICAL SECTION  
(ASPHALT MAT)  
STA. 9+896.12 TO STA. 9+951.46 (MAPLE)  
STA. 4+821.04 TO STA. 4+935.15 (119TH ST. W.)**



COMBINED CURB & GUTTER

**MAPLE AVE. IMPROVEMENTS - 119TH ST. W. TO MAIZE RD.  
TYPICAL SECTIONS**

	924 NORTH MAIN WICHITA, KANSAS 67203 http://www.srb.com	316-284-8008 FAX 316-284-8921 E-Mail: srbsales@srb.com	REVISED
	<b>SAVOY, RUGGLES &amp; BOHM, P. A.</b> ENGINEERING & SURVEYING		5
PROJECT NUMBER 472-76-245-83053-000-000-001			90
DRAWN Staff	DESIGN Staff	REVIEW Staff	DATE 2-28-2000 UTILITY SRB JOB 1218T