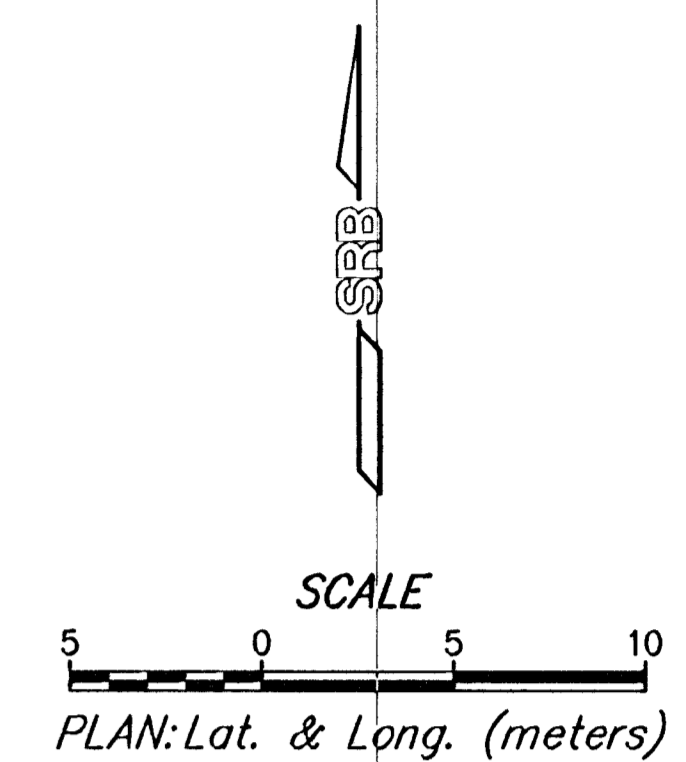
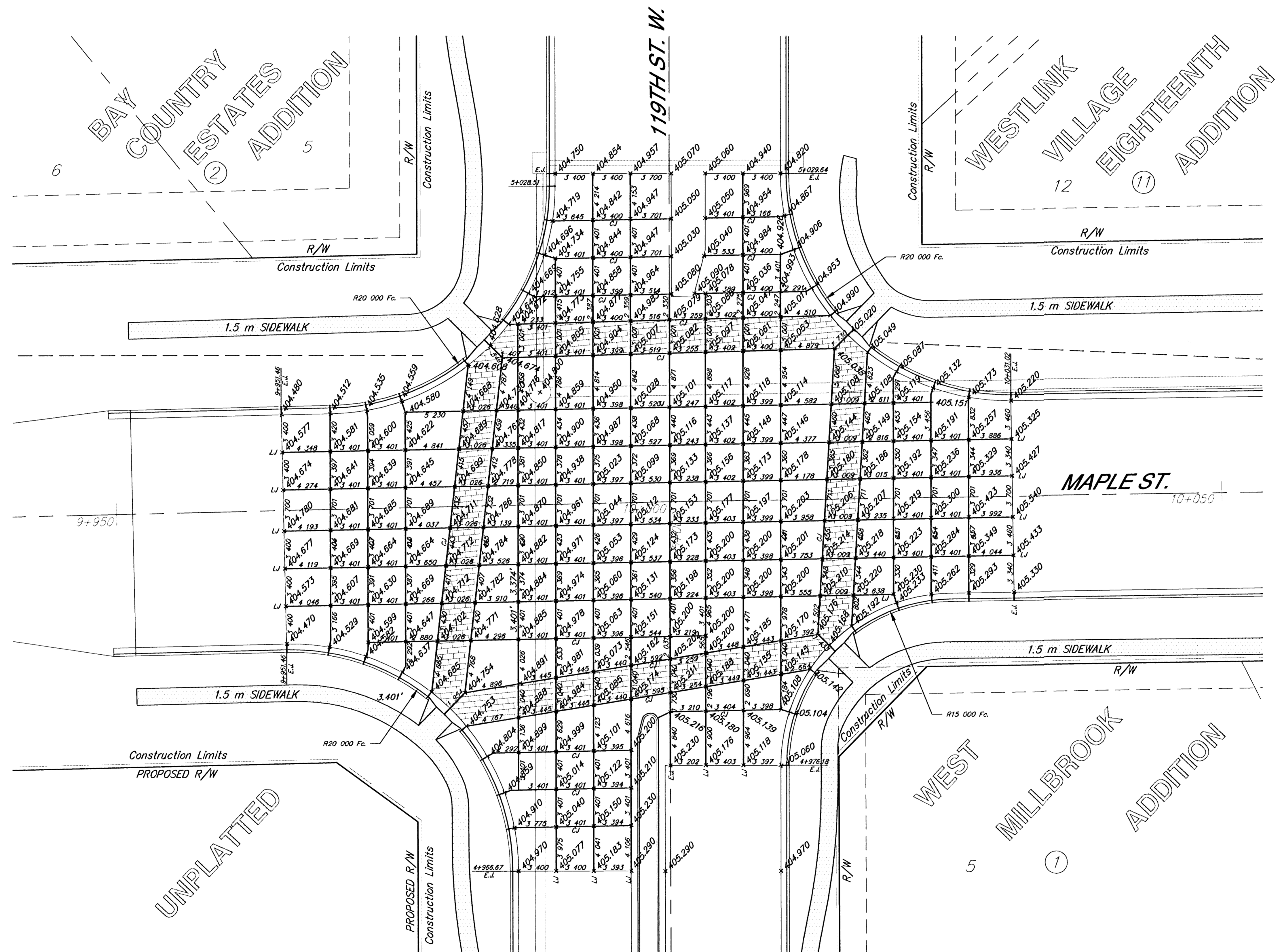


FHWA REGION NO.	STATE	PROJECT NUMBER	FISCAL YEAR	SHEET NUMBER	TOTAL SHEETS
7	KANSAS	87N-0127-01	1999	21	90

BY	DATE
REFERENCES NOTED	REFERENCES CHECKED



MAPLE AVE. IMPROVEMENTS - 119TH ST. W. TO MAIZE RD.  
INTERSECTION PLAN

<b>SRB</b>	924 NORTH MAIN WICHITA, KANSAS 67203 http://www.srb.com/~srw	316-264-8008 FAX 264-4621 E-Mail: wsr@srb.com
<b>SAVOY, RUGGLES &amp; BOHM, P. A.</b> ENGINEERING & SURVEYING		
PROJECT NUMBER 472-76-245-83053-000-000-001		
DRAWN Staff	DESIGN Staff	REVIEW DATE 8-21-00
UTILITY SRB JOB 1218T	INTERSECTION REV 21	TOTAL SHEETS 90