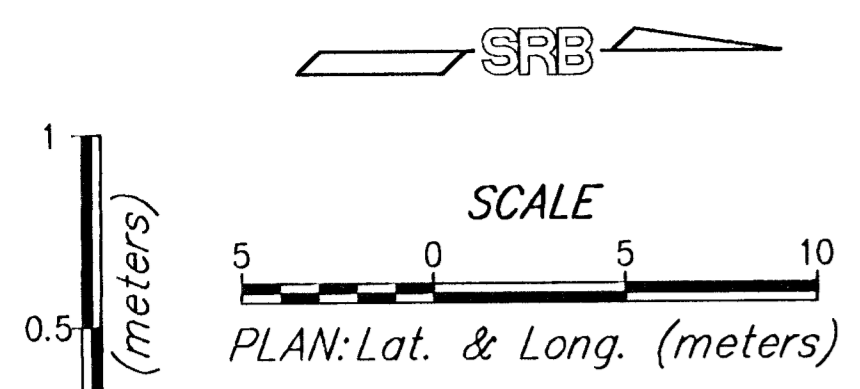


FHWA REGION NO.	STATE	PROJECT NUMBER	FISCAL YEAR	SHEET NUMBER	TOTAL SHEETS
7	KANSAS	87N-0127-01	1999	28	90

DATE	
BY	
REFERENCES NOTED	
REFERENCES CHECKED	

UNPLATTED

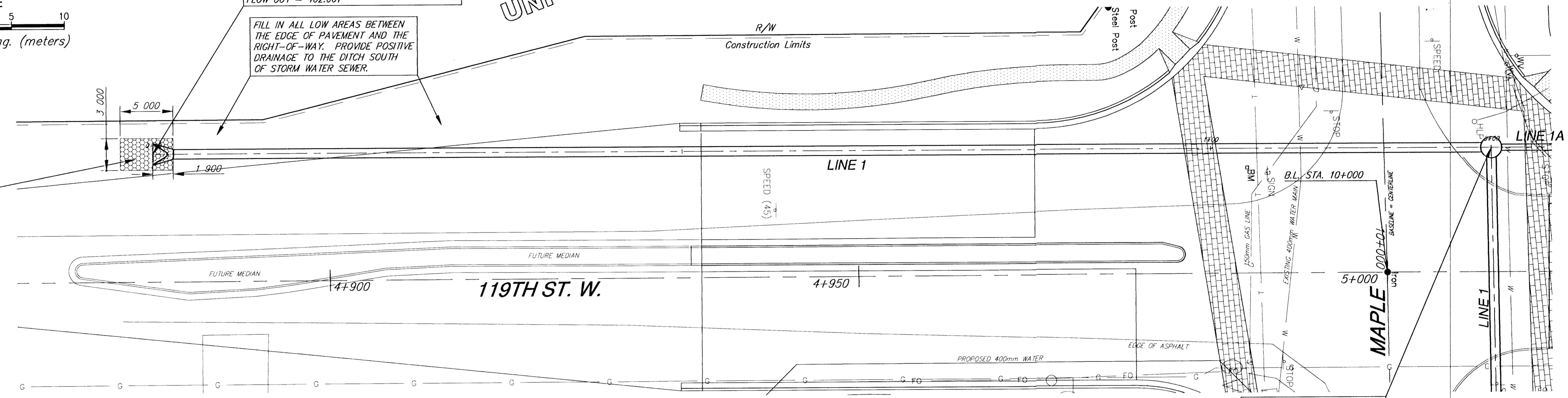
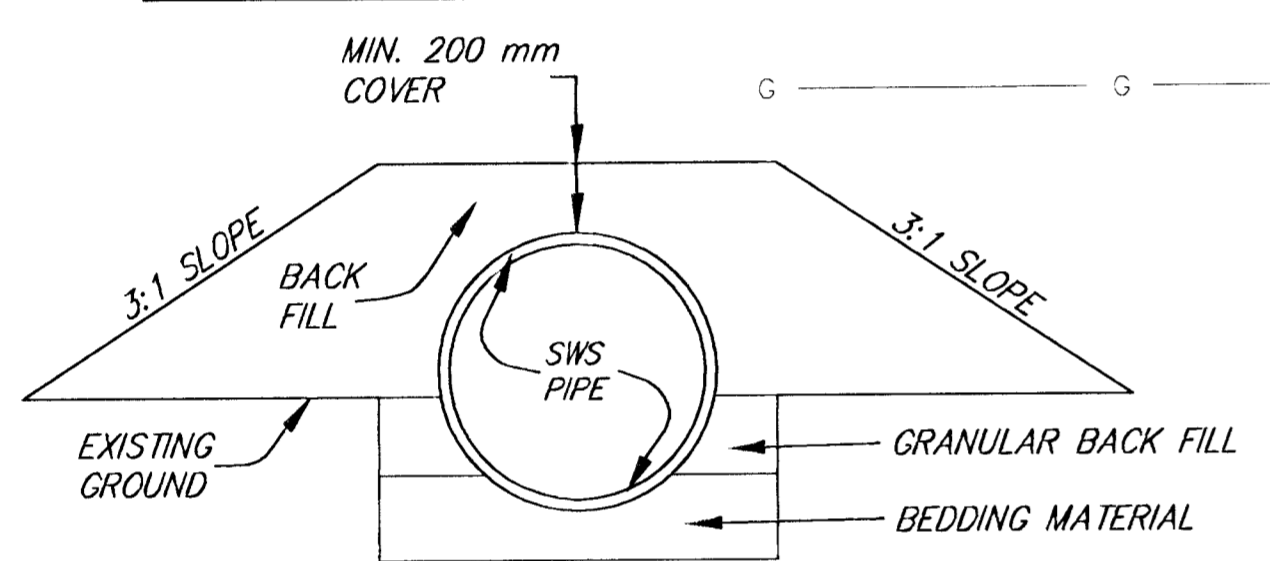


STATION 0+00, LINE 1  
B.L. STA. 9+985.63, 116 360 RT. OF CL MAPLE  
BEGIN STORM SEWER CONSTRUCTION  
WITH 900mm END SECTION.  
FLOW OUT = 402.661

FILL IN ALL LOW AREAS BETWEEN  
THE EDGE OF PAVEMENT AND THE  
RIGHT-OF-WAY. PROVIDE POSITIVE  
DRAINAGE TO THE DITCH SOUTH  
OF STORM WATER SEWER.

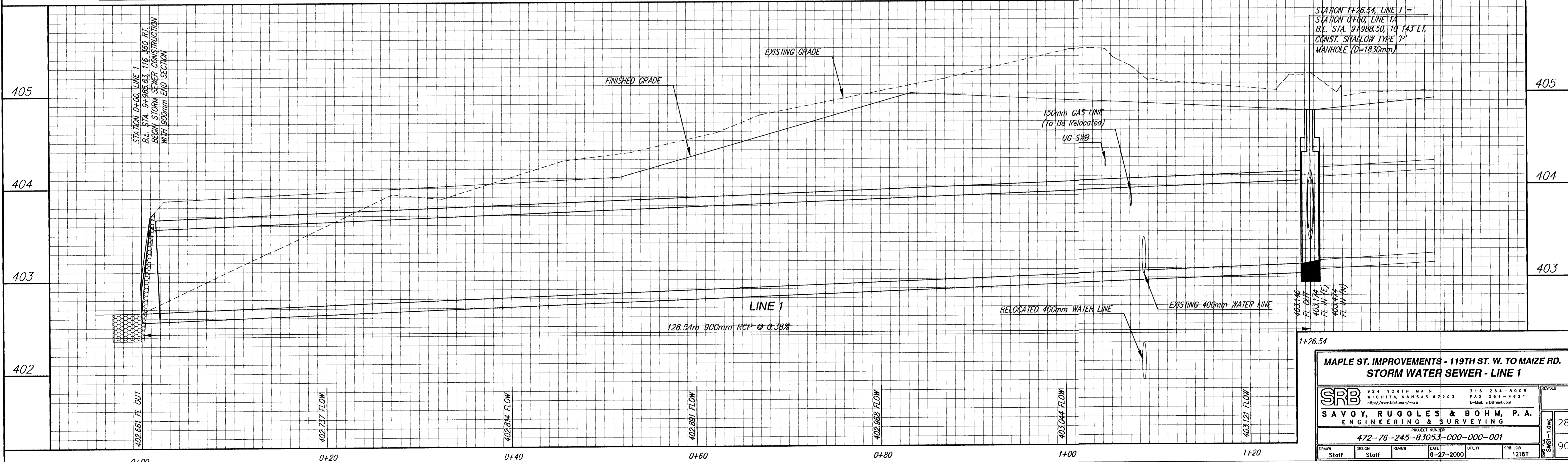
INSTALL 15 sq. m. HEAVY  
STONE RIP-RAP

DETAIL FOR FILL OVER  
PIPE IN LOW LYING AREAS



STATION 1+26.54, LINE 1 =  
STATION 0+00, LINE 1A  
B.L. STA. 9+988.50, 10 143 LT.  
CONST. SHALLOW TYPE 'P'  
MANHOLE (D=1830mm)  
FLOW IN (E) = 403.474  
FLOW IN (N) = 403.174  
FLOW OUT = 403.146  
TOP ELEV. = 404.800

STATION 1+26.54, LINE 1 =  
STATION 0+00, LINE 1A  
B.L. STA. 9+988.50, 10 143 LT.  
CONST. SHALLOW TYPE 'P'  
MANHOLE (D=1830mm)



MAPLE ST. IMPROVEMENTS - 119TH ST. W. TO MAIZE RD.  
STORM WATER SEWER - LINE 1

SRB 224 NORTH MAIN 318-284-8008  
WICHITA, KANSAS 67203 FAX 318-284-1821  
http://www.srb.com/~sr E-Mail: sr@sr.com

SAVOY, RUGGLES & BOHM, P.A.  
ENGINEERING & SURVEYING

PROJECT NUMBER  
472-76-245-83053-000-000-001

DESIGN	STAFF	REVIEW	DATE	UTILITY	SRB JOB
Staff	Staff	Staff	8-27-2000	UTILITY	1216T

28  
90