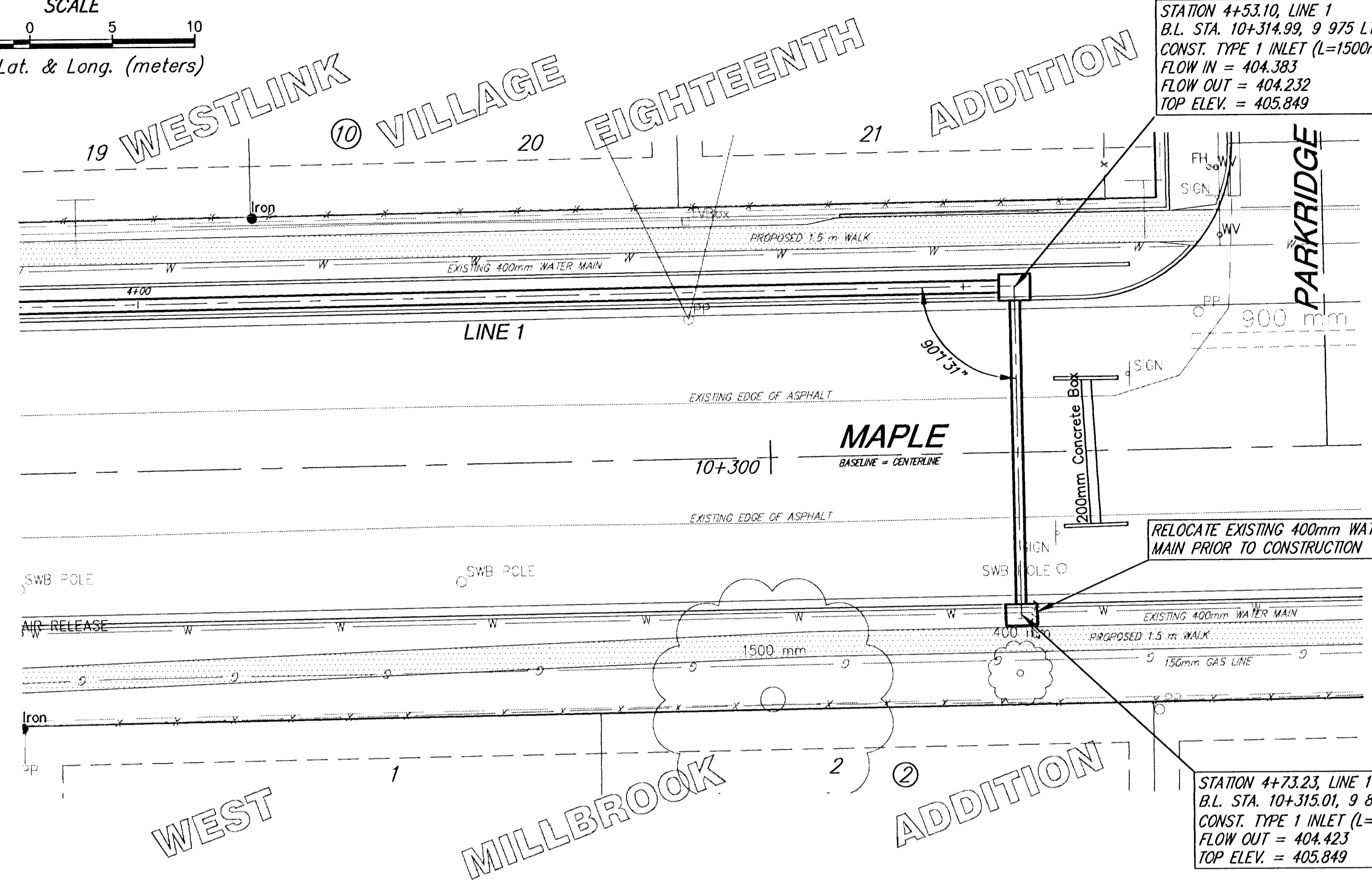


FHWA REGION NO.	STATE	PROJECT NUMBER	FISCAL YEAR	SHEET NUMBER	TOTAL SHEETS
7	KANSAS	87N-0127-01	1999	31	90

DATE	BY	REFERENCES NOTED	REFERENCES CHECKED

SCALE
 5 0 5 10
 PLAN: Lat. & Long. (meters)

SRB
 1
 0.5
 0
 0.5
 PROFILE: Lat. (meters)



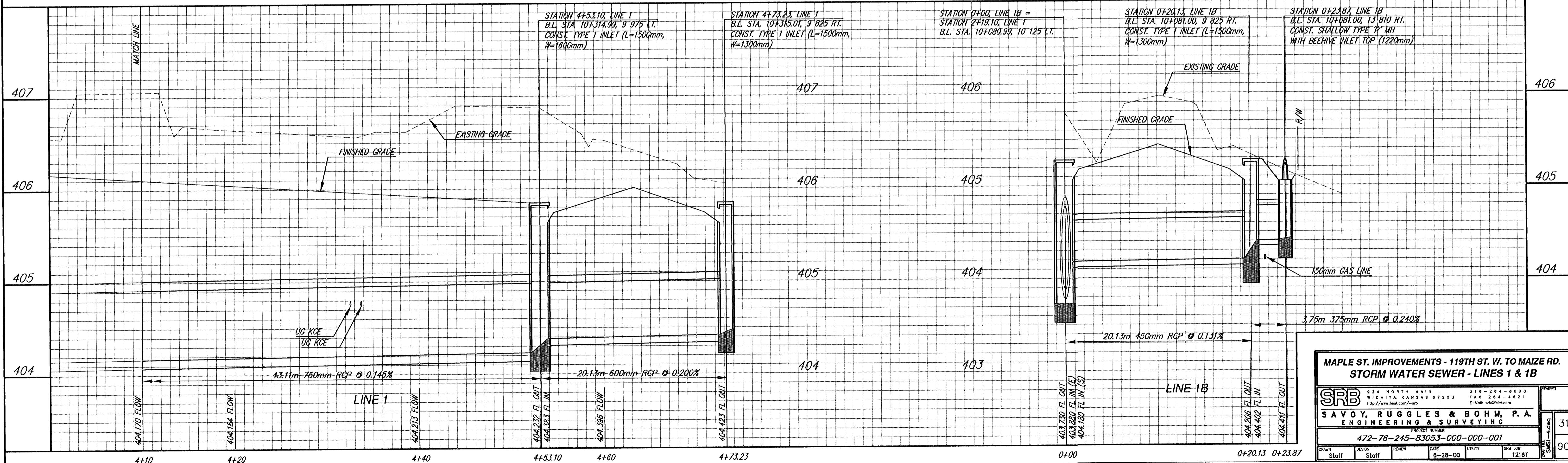
STATION 4+53.10, LINE 1
 B.L. STA. 10+314.99, 9 975 LT.
 CONST. TYPE 1 INLET (L=1500mm, W=1600mm)
 FLOW IN = 404.383
 FLOW OUT = 404.232
 TOP ELEV. = 405.849

STATION 0+00, LINE 1B =
 STATION 2+19.10, LINE 1
 B.L. STA. 10+080.99, 10 125 LT.

STATION 0+20.13, LINE 1B
 B.L. STA. 10+081.00, 9 825 RT.
 CONST. TYPE 1 INLET (L=1500mm, W=1300mm)
 FLOW IN = 404.402
 FLOW OUT = 404.206
 TOP ELEV. = 405.260

STATION 4+73.23, LINE 1
 B.L. STA. 10+315.01, 9 825 RT.
 CONST. TYPE 1 INLET (L=1500mm, W=1300mm)
 FLOW OUT = 404.423
 TOP ELEV. = 405.849

STATION 0+23.87, LINE 1B
 B.L. STA. 10+081.00, 13 810 RT.
 CONST. SHALLOW TYPE 'P' MH
 WITH BEEHIVE INLET TOP (1220mm)
 FLOW OUT = 404.411
 TOP ELEV. = 405.050



**MAPLE ST. IMPROVEMENTS - 119TH ST. W. TO MAIZE RD.
 STORM WATER SEWER - LINES 1 & 1B**

SRB 924 NORTH MAIN 318-284-8008
 WICHITA KANSAS 67203 FAX 284-4821
 http://www.srb.com/~sr E-Mail: wts@srb.com

SAVOY, RUGGLES & BOHM, P.A.
 ENGINEERING & SURVEYING

PROJECT NUMBER
472-76-245-83053-000-000-001

DESIGN	STAFF	DATE	UTILITY	SRB JOB
Staff	Staff	8-28-00	UTILITY	1216T

31
90