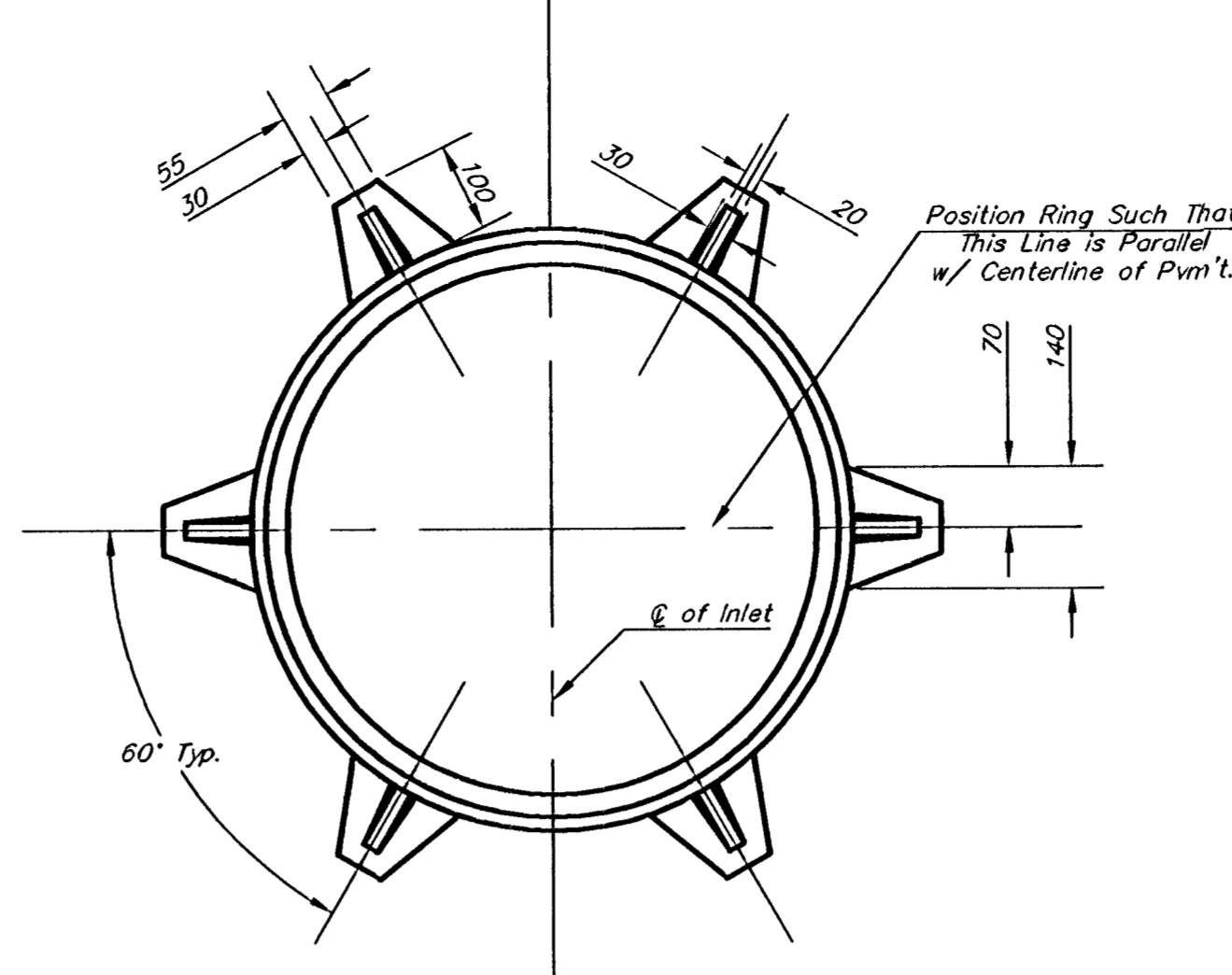
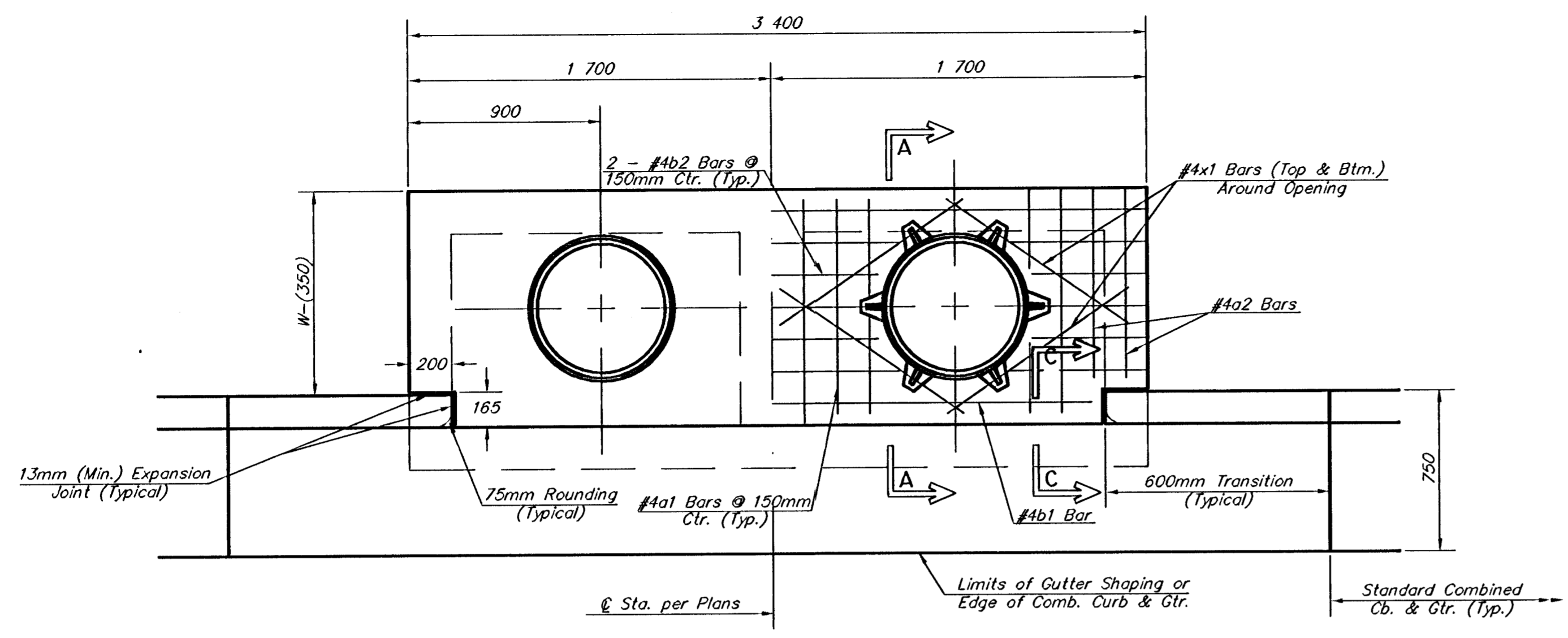


DATE	
BY	
REFERENCES NOTED	
REFERENCES CHECKED	



**PRECAST SLAB AND FLOOR REINFORCING**

MARK	SIZE	W = 1 300		W = 1 600		W = 1 900		W = 2 200		W = 2 500	
		NO.	LENGTH	NO.	LENGTH	NO.	LENGTH	NO.	LENGTH	NO.	LENGTH
a1	#4	13	1 975	13	2 575	13	3 175	13	3 775	13	4 375
* a2	#4	4	1 800	4	2 400	4	3 000	4	3 600	4	4 200
a3	#4	23	1 225	23	1 525	23	1 825	23	2 125	23	2 425
b1	#4	7	2 925	7	2 925	7	2 925	7	2 925	7	2 925
* b2	#4	23	3 325	29	3 325	35	3 325	41	3 325	47	3 325
x1	#4	16	1 150	16	1 250	16	1 350	16	1 450	16	1 550

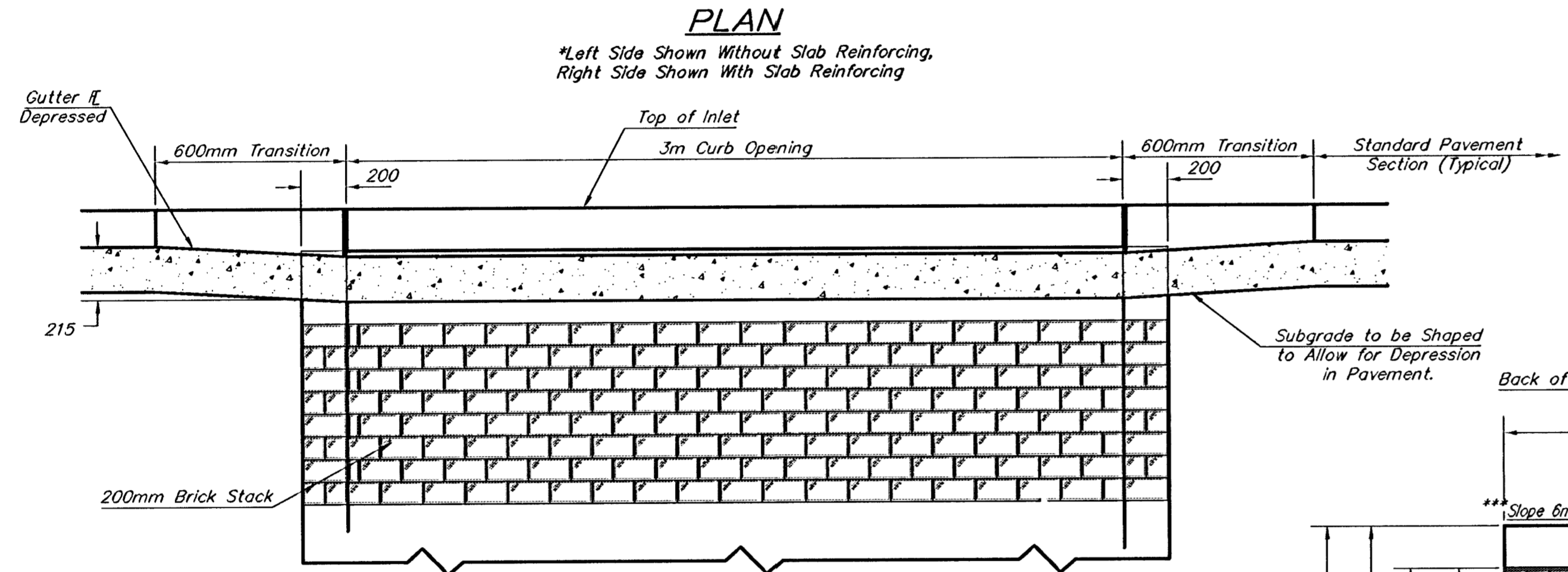
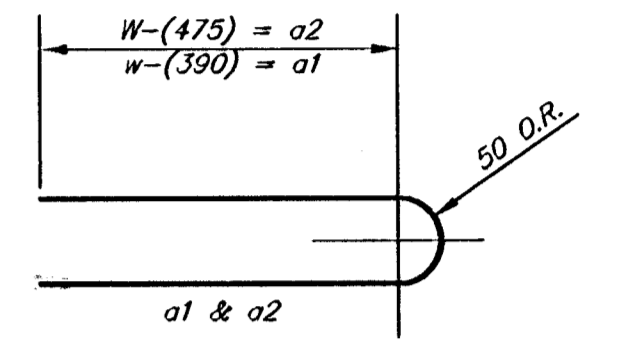
**WALL REINFORCING**

MARK	SIZE	W = 1 300		W = 1 600		W = 1 900		W = 2 200		W = 2 500	
		NO.	LENGTH	NO.	LENGTH	NO.	LENGTH	NO.	LENGTH	NO.	LENGTH
w1	#4	①	3 325	①	3 325	①	3 325	①	3 325	①	3 325
w2	#4	①	1 225	①	1 525	①	1 825	①	2 125	①	2 425
w3	#4	②	52	②	56	②	60	②	64	②	68

\* Field Bend or Cut Reinforcing as Required for Clearance.  
 ① 4 (H1 - 300) (H1 - 525) Rounded down to nearest 150mm  
 ② H1 - 75

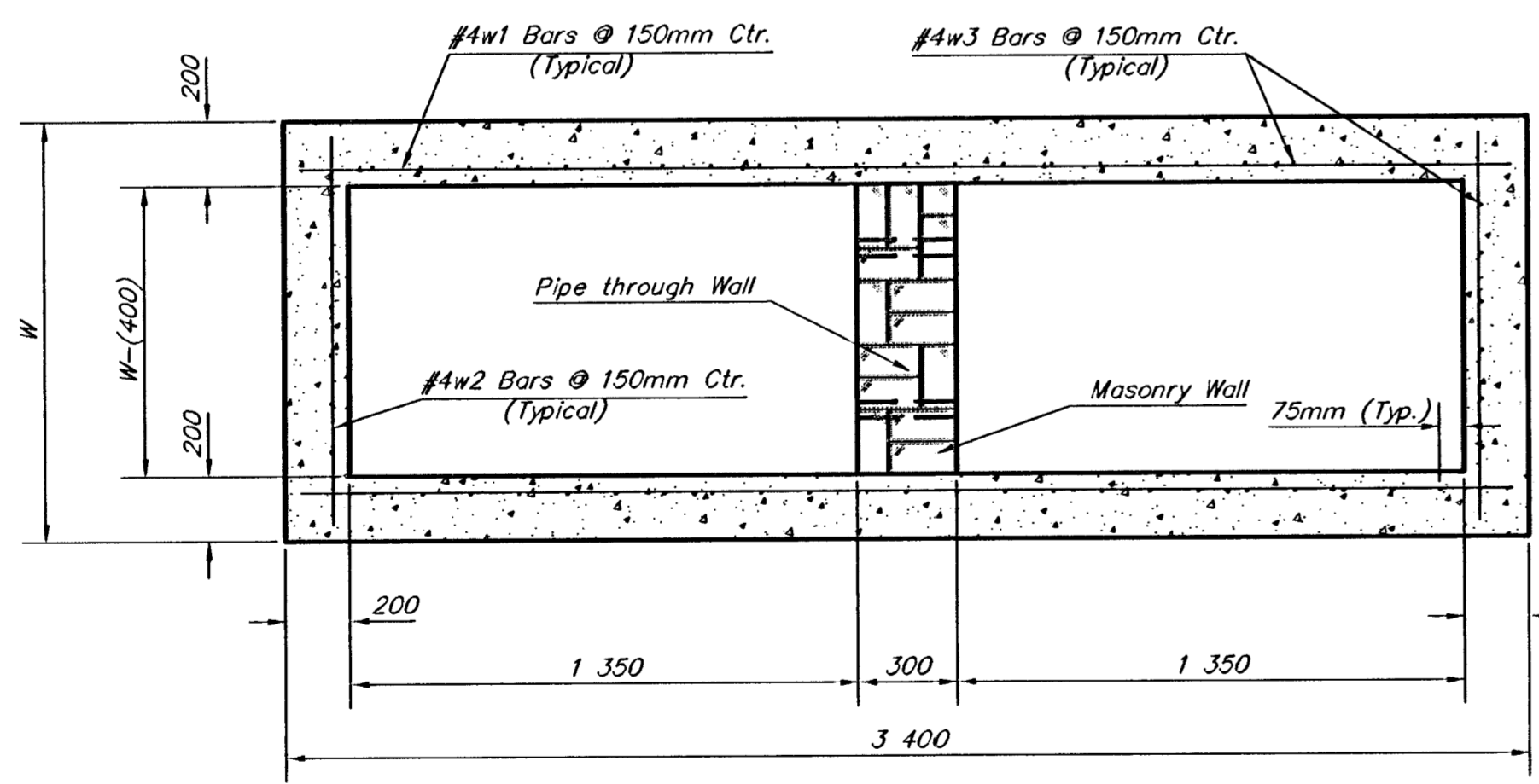
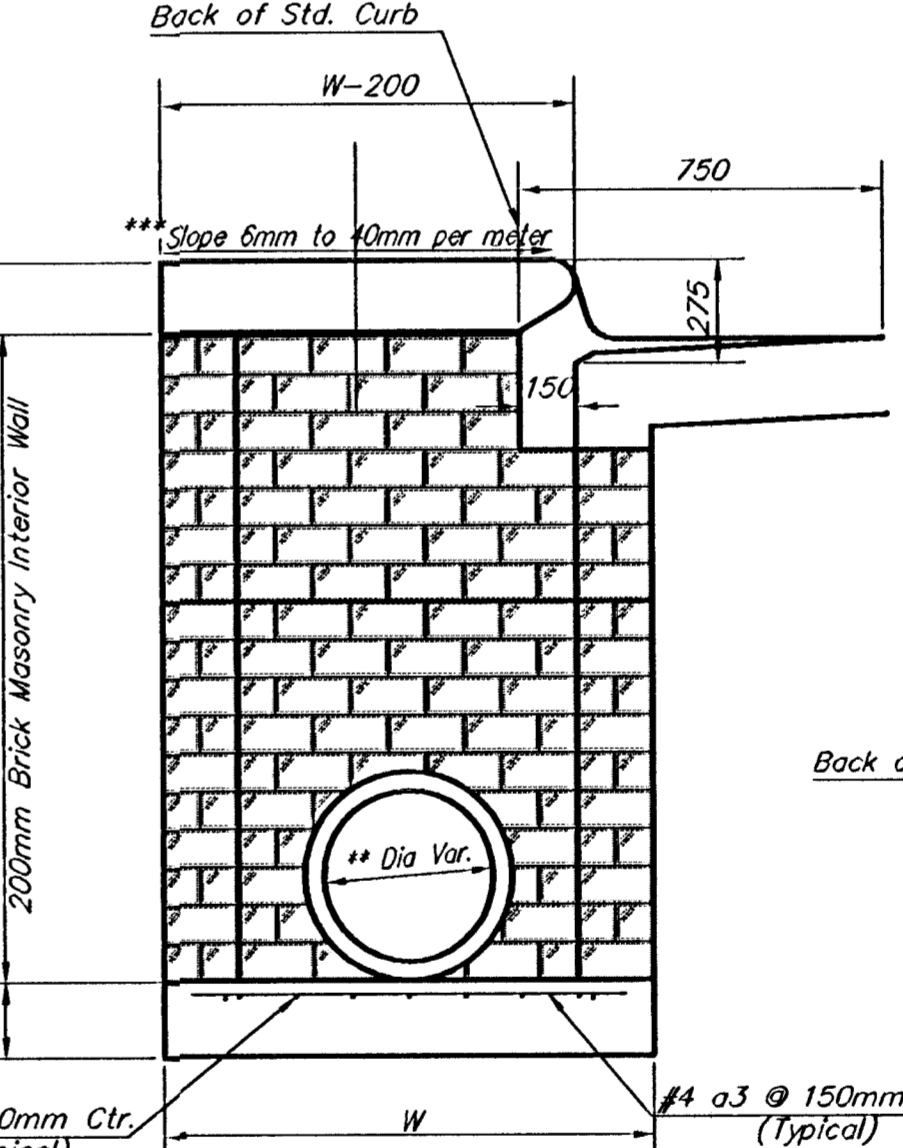
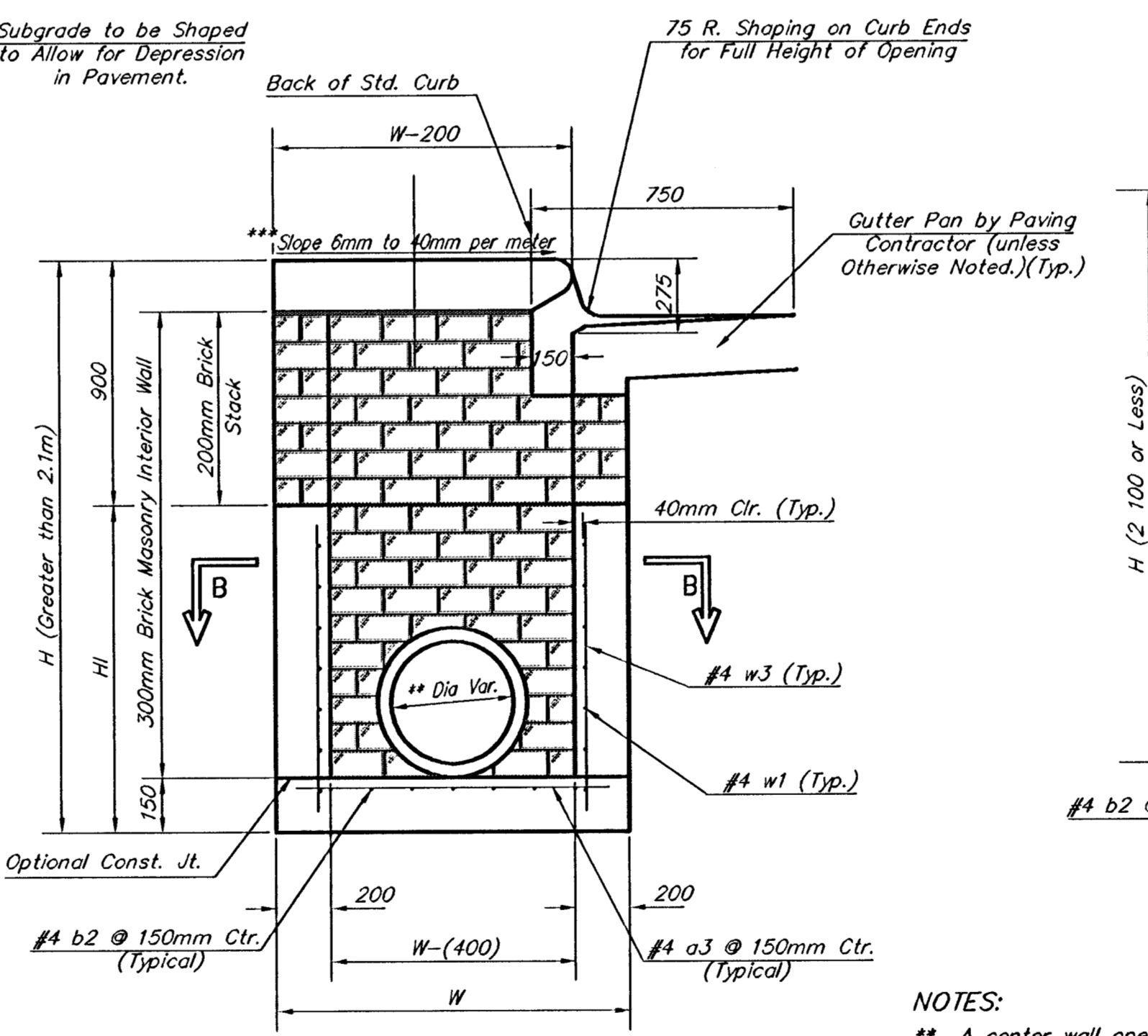
**STANDARD CURB INLET PRECAST TOPS**

W	PRE-CAST TOP SIZE	PIPE SIZE	CU. YD. CONC.
1 300	1 100 x 3 400 x 190	525mm & SMALLER	0.63±
1 600	1 400 x 3 400 x 190	600mm & 750mm	0.83±
1 900	1 700 x 3 400 x 190	900mm & 1050mm	1.03±
2 200	2 000 x 3 400 x 190	1200mm & 1350mm	1.23±
2 500	2 300 x 3 400 x 190	1500mm & 1650mm	1.42±



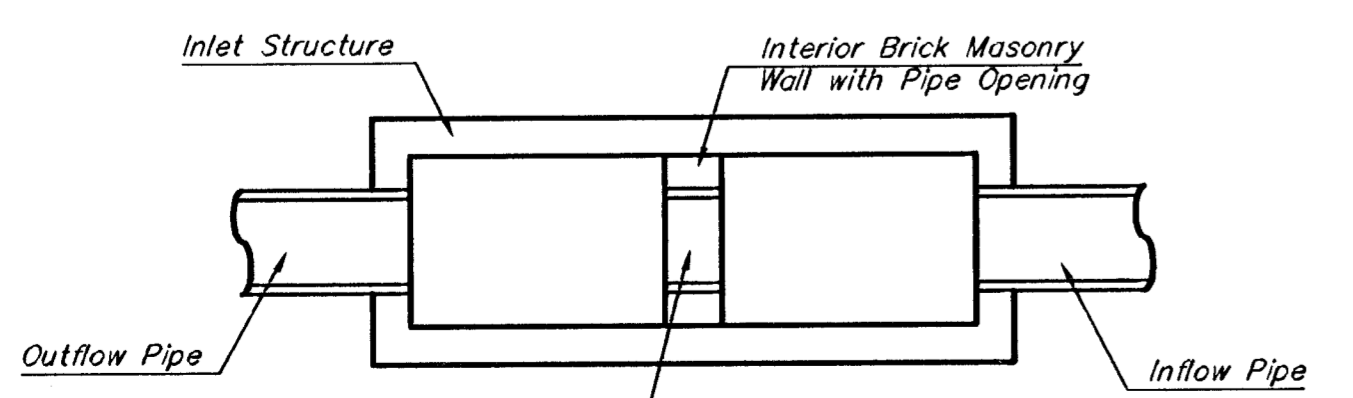
**MANHOLE RING AND COVER**

\*See City of Wichita Standard Manhole Ring and Cover Detail Sheet for Cover Details to Be Used With Inlet Frame.



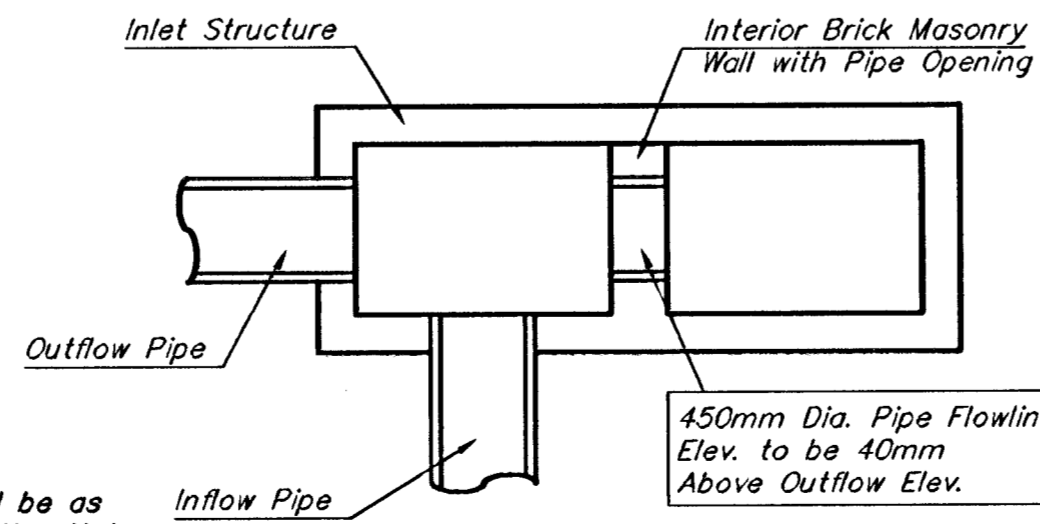
**TYPICAL INLET SECTION AT CENTER WALL (REINFORCED CONCRETE WALLS)**

**NOTES:**  
 \*\* A center wall opening shall be provided by means of a section of reinforced concrete pipe. See Case I and Case II below.  
 \*\*\* Slope of inlet tops to match sidewalk of parking slopes within limits indicated



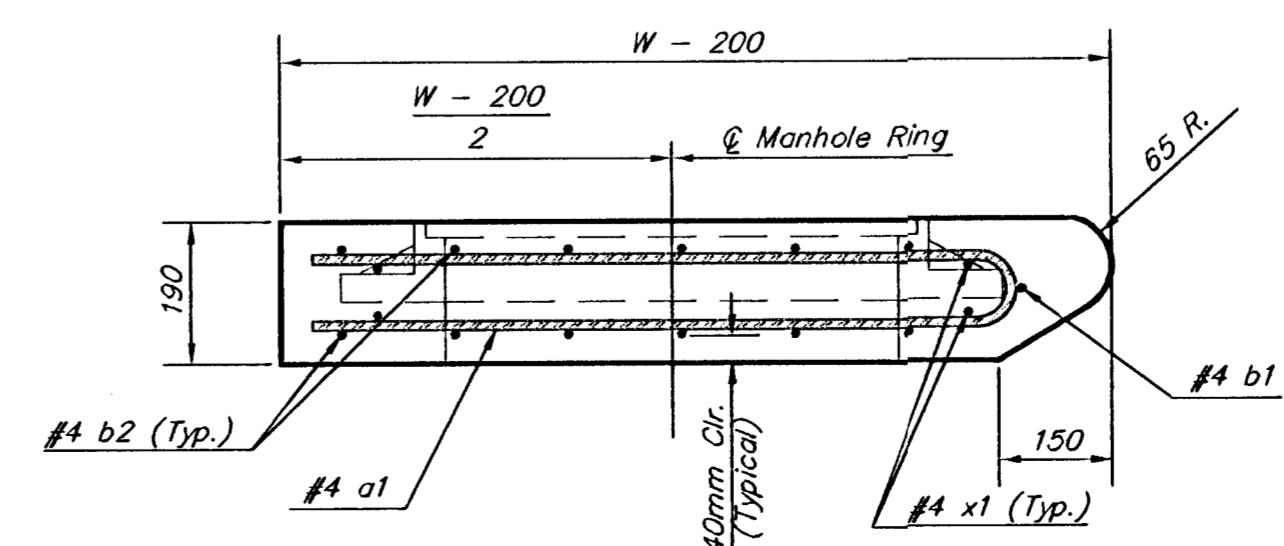
Pipe Size to be the Same as Outlet Pipe Size. Flowline Elev. to be Average of Lowest Inflow Pipe Elev. and Outflow Pipe Elev.

**CASE I**

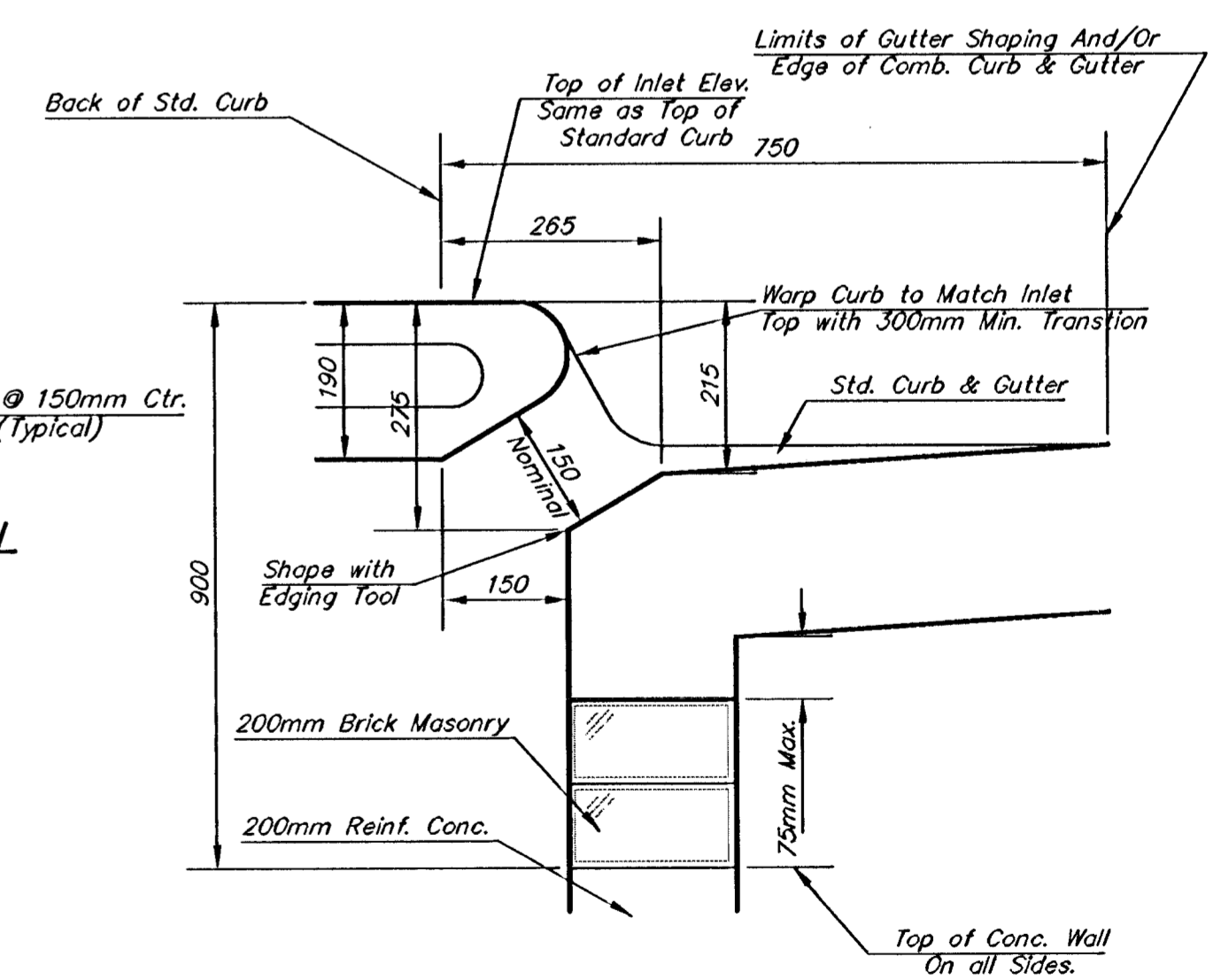


**CASE II**

**NOTE:**  
 Center Wall Pipe Size shall be as Specified in Inlet Construction Notes on the Plan/Profile Sheets for those Cases not Shown Here.



**SECTION A-A**



**SECTION C-C**

**STANDARD TYPE 1 CURB INLET**  
**OPENING = 150mm X 3000mm**

**SRB** 324 NORTH MAIN 316-264-8003  
 WICHITA, KANSAS 67203 FAX 316-264-4821  
<http://www.srb.com> E-Mail: srbs@srb.com

**SAVOY, RUGGLES & BOHM, P.A.**  
 ENGINEERING & SURVEYING

472-76-245-83053-000-000-001

DATE: 5-25-99

35  
90