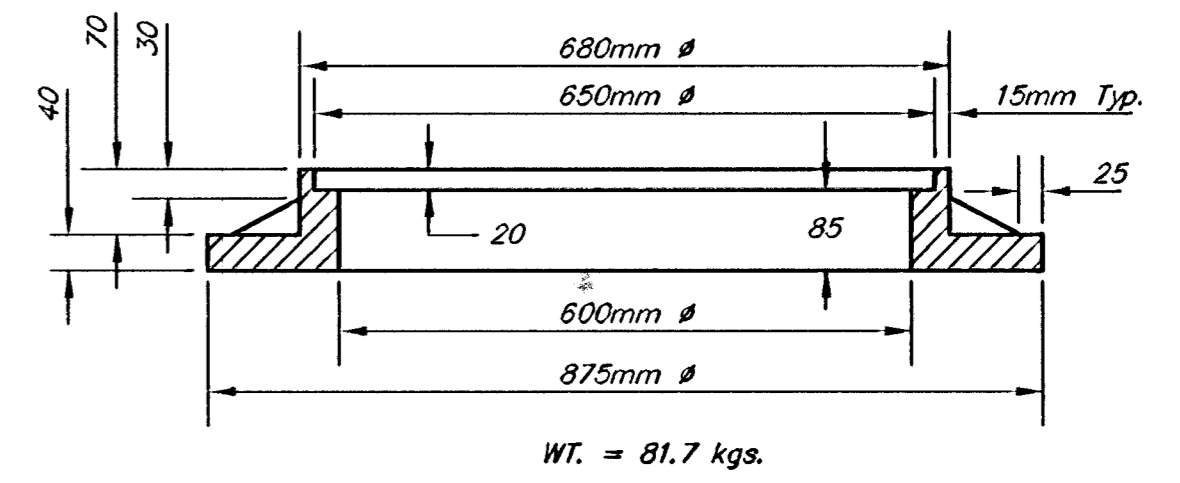
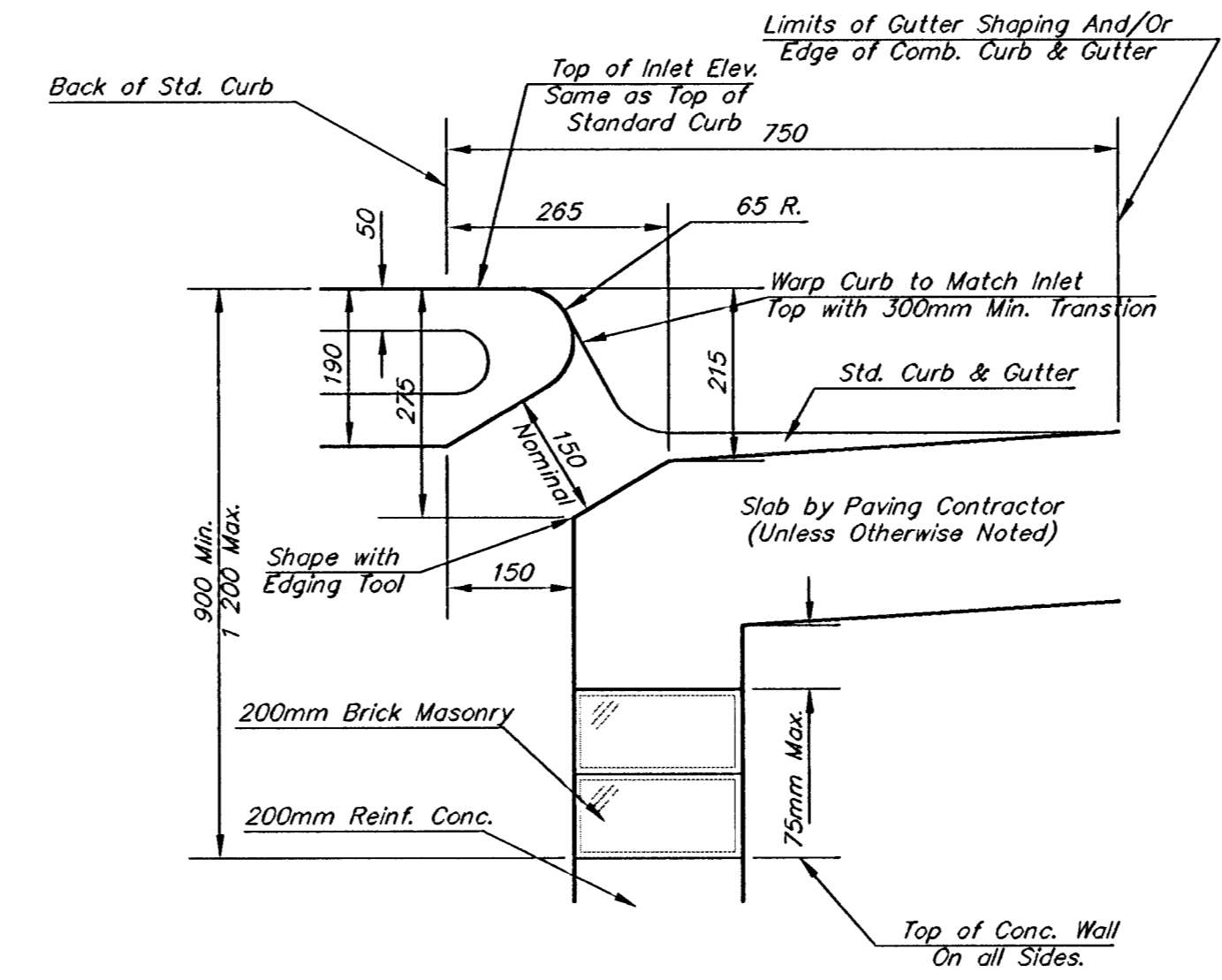
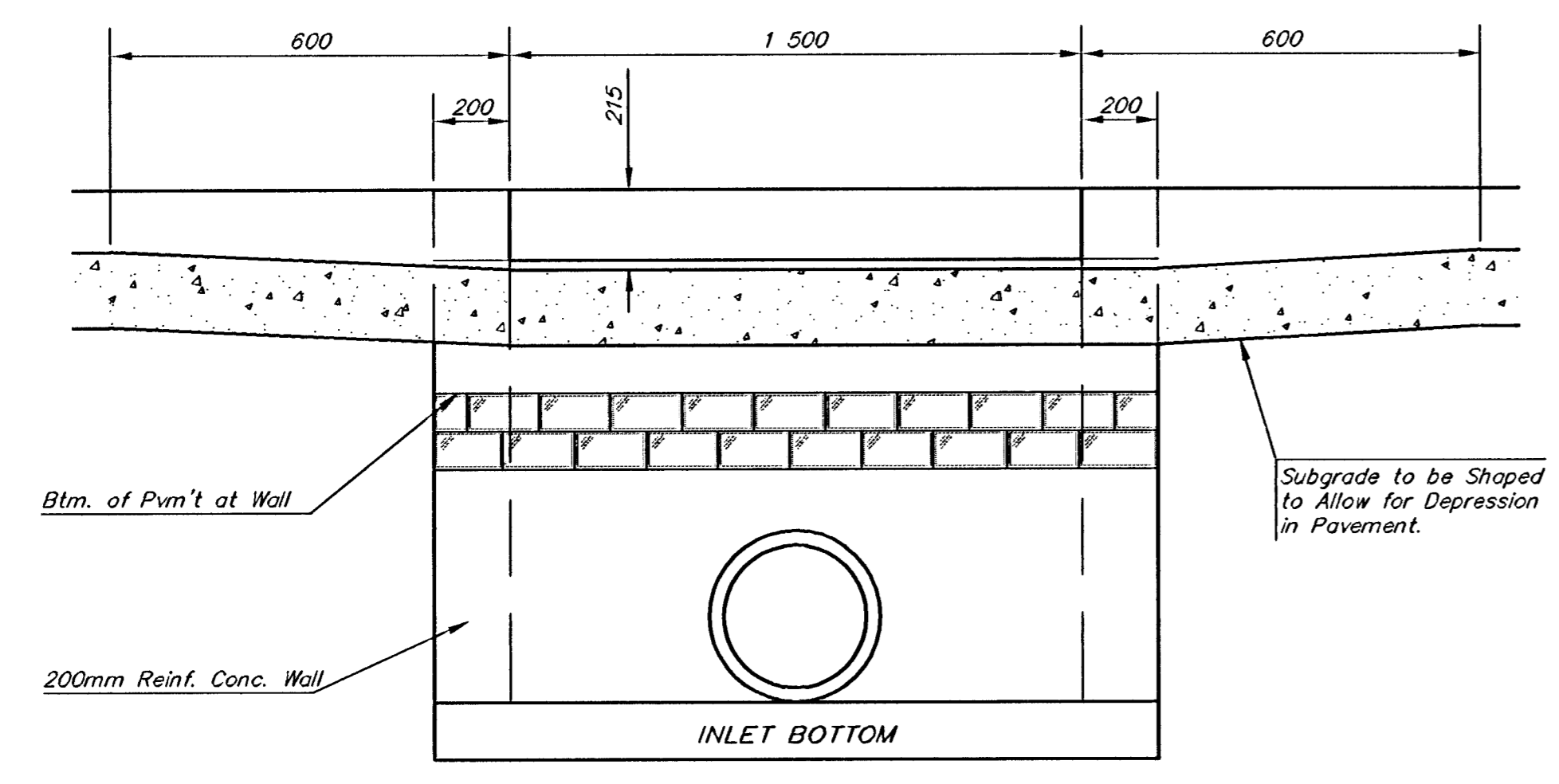
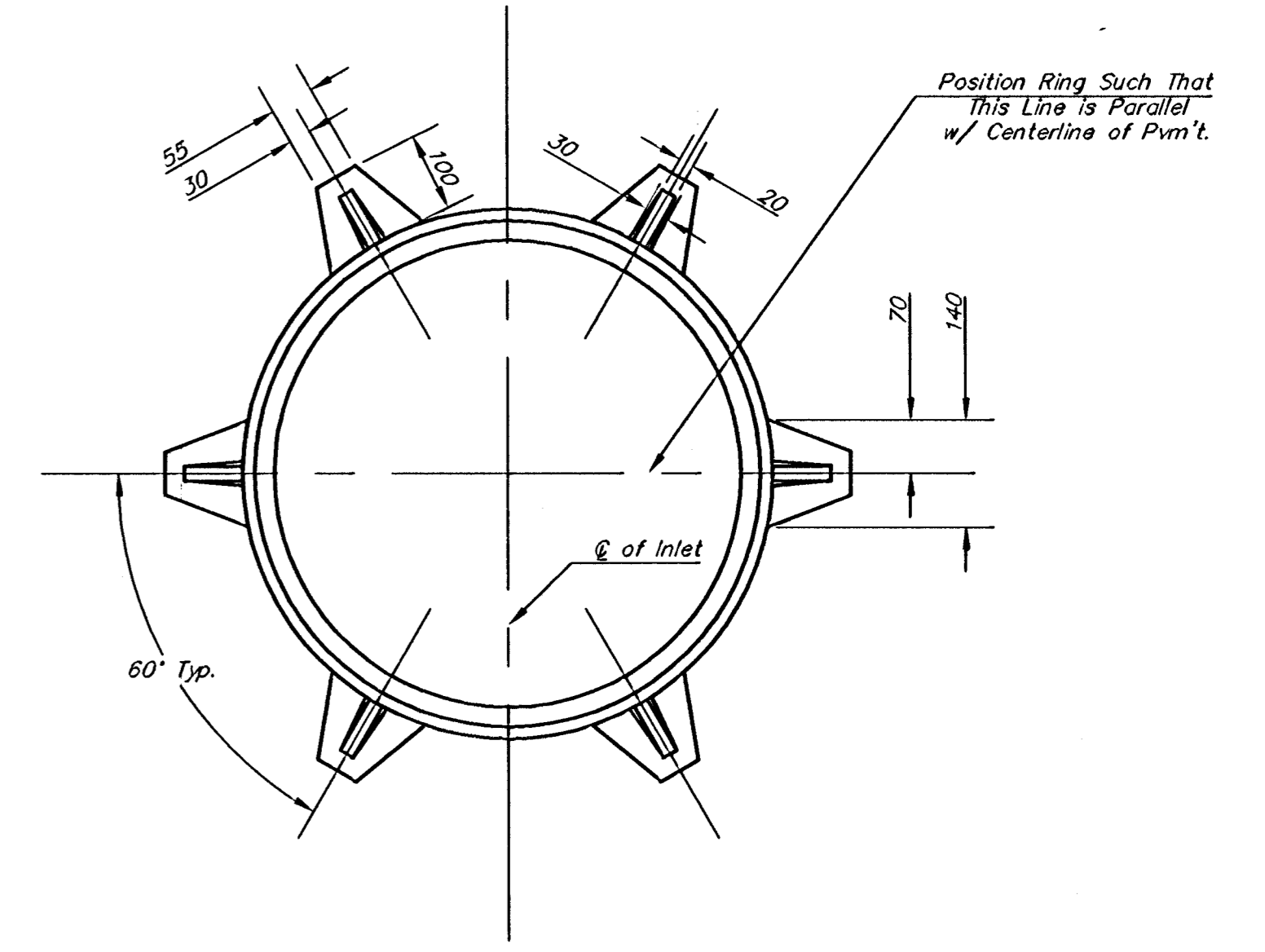
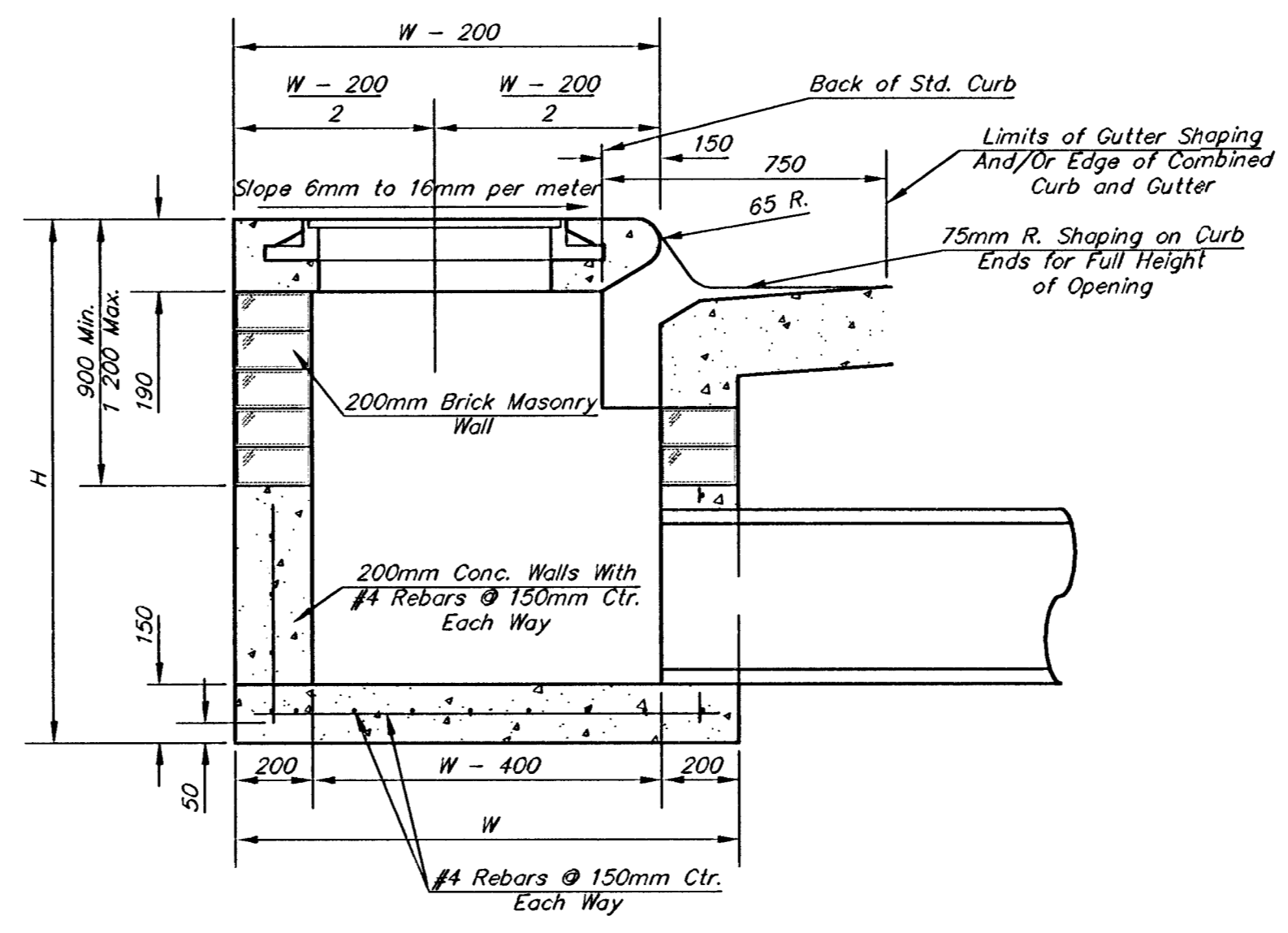
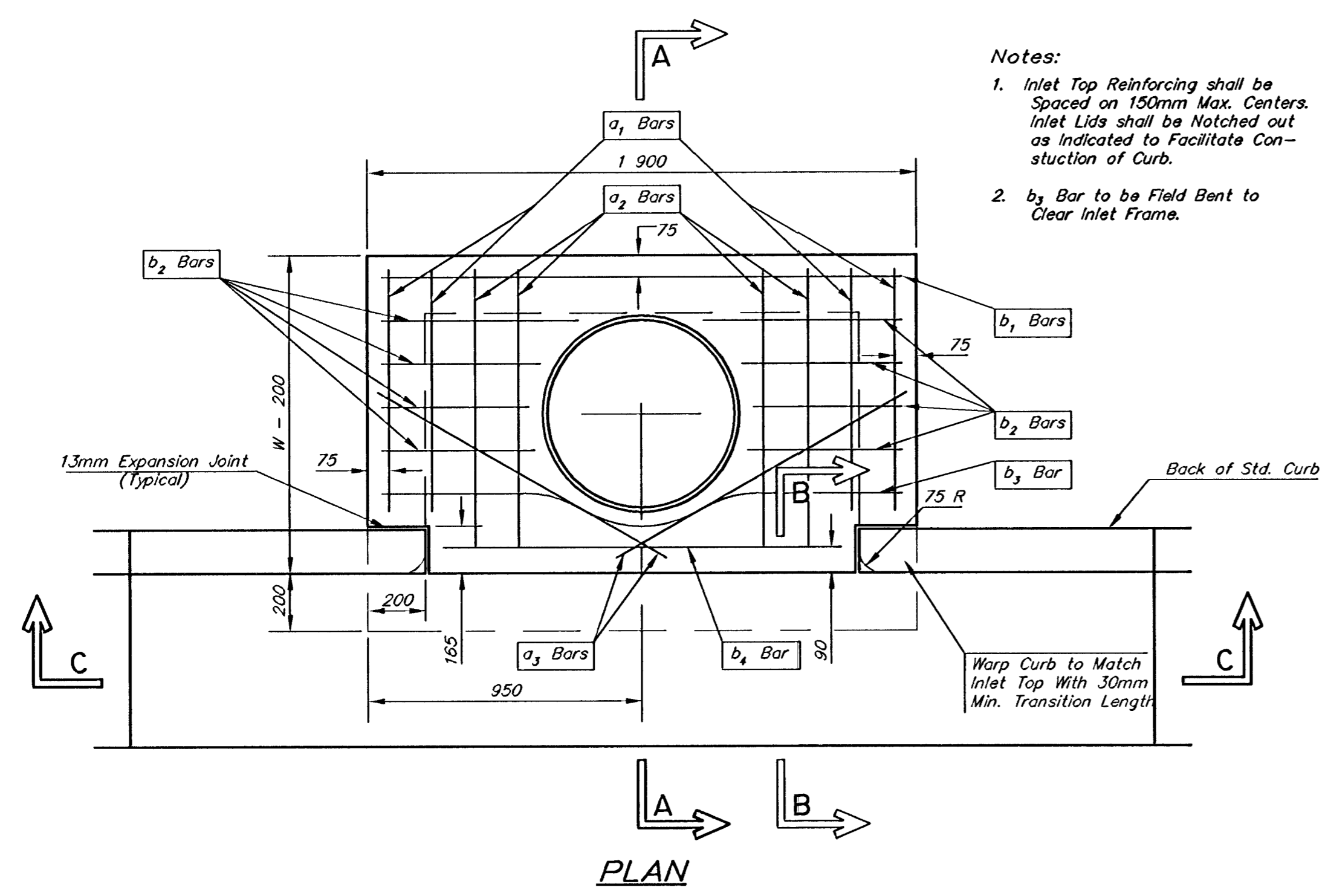


DATE	
BY	
REFERENCES NOTED	
REFERENCES CHECKED	



STEEL SCHEDULE

BAR NUMBER	a ₁	a ₂	a ₃	b ₁					b ₂	b ₃	b ₄	Wt. Kgs.
				W=1 300	W=1 600	W=1 900	W=2 200	W=2 500				
SIZE	#4	#4	#4	#4	#4	#4	#4	#4	#4	#4	#6	
W=1 300	1 675	1 975	1 200	1 825	-	-	-	-	525	1 850	1 400	27±
W=1 600	2 275	2 575	1 500	-	1 825	-	-	-	525	1 850	1 400	37±
W=1 900	2 875	3 175	1 800	-	-	1 825	-	-	525	1 850	1 400	46±
W=2 200	3 475	3 775	2 100	-	-	-	1 825	-	525	1 850	1 400	55±
W=2 500	4 075	4 375	2 400	-	-	-	-	1 825	525	1 850	1 400	64±

Note: a₃ Bars to be Placed Approx. 50mm Below Top of Inlet Cover.

STANDARD CURB INLET PRECAST TOPS

W	PRE-CAST TOP SIZE	PIPE SIZE	CU. YD. CONC.
1 300	1 100 x 1 900 x 190	525mm & SMALLER	0.29±
1 600	1 400 x 1 900 x 190	600mm & 750mm	0.39±
1 900	1 700 x 1 900 x 190	900mm & 1050mm	0.49±
2 200	2 000 x 1 900 x 190	1200mm & 1350mm	0.59±
2 500	2 300 x 1 900 x 190	1500mm & 1650mm	0.69±

GENERAL NOTES

- Concrete tops to be installed on thin mortar cushion to insure full support along brick walls. Concrete tops may be cast in place or precast. Concrete used for inlet construction shall be concrete pavement mix.
- Contractor shall have the option of constructing 200mm brick masonry walls between the concrete inlet base and top on this inlet when W=1900mm and H=2100mm or less.
- Inlet invert shall be shaped with 8 sack sand mix concrete to create flow channels and to increase hydraulic efficiency such that the inlet will be self cleaning between all inlet and/or outlet pipes.
- The ends of all pipes installed in inlets shall be cut off flush with the inside face of the inlet wall.

STANDARD TYPE 1 CURB INLET
OPENING = 150mmX1500mm

SRB 924 NORTH MAIN WICHITA, KANSAS 67203 316-284-8008
http://www.fdot.com/~srb FAX 284-4821 E-Mail: srb@dot.com

SAVOY, RUGGLES & BOHM, P. A.
ENGINEERING & SURVEYING

PROJECT NUMBER
472-76-245-83053-000-000-001

DATE: 5-25-99 UTILITY SRB JOB 1218T

36
90