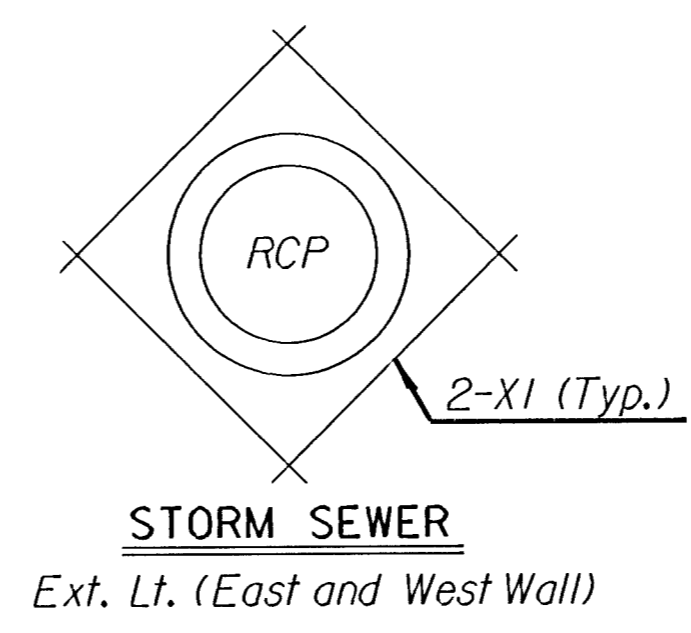
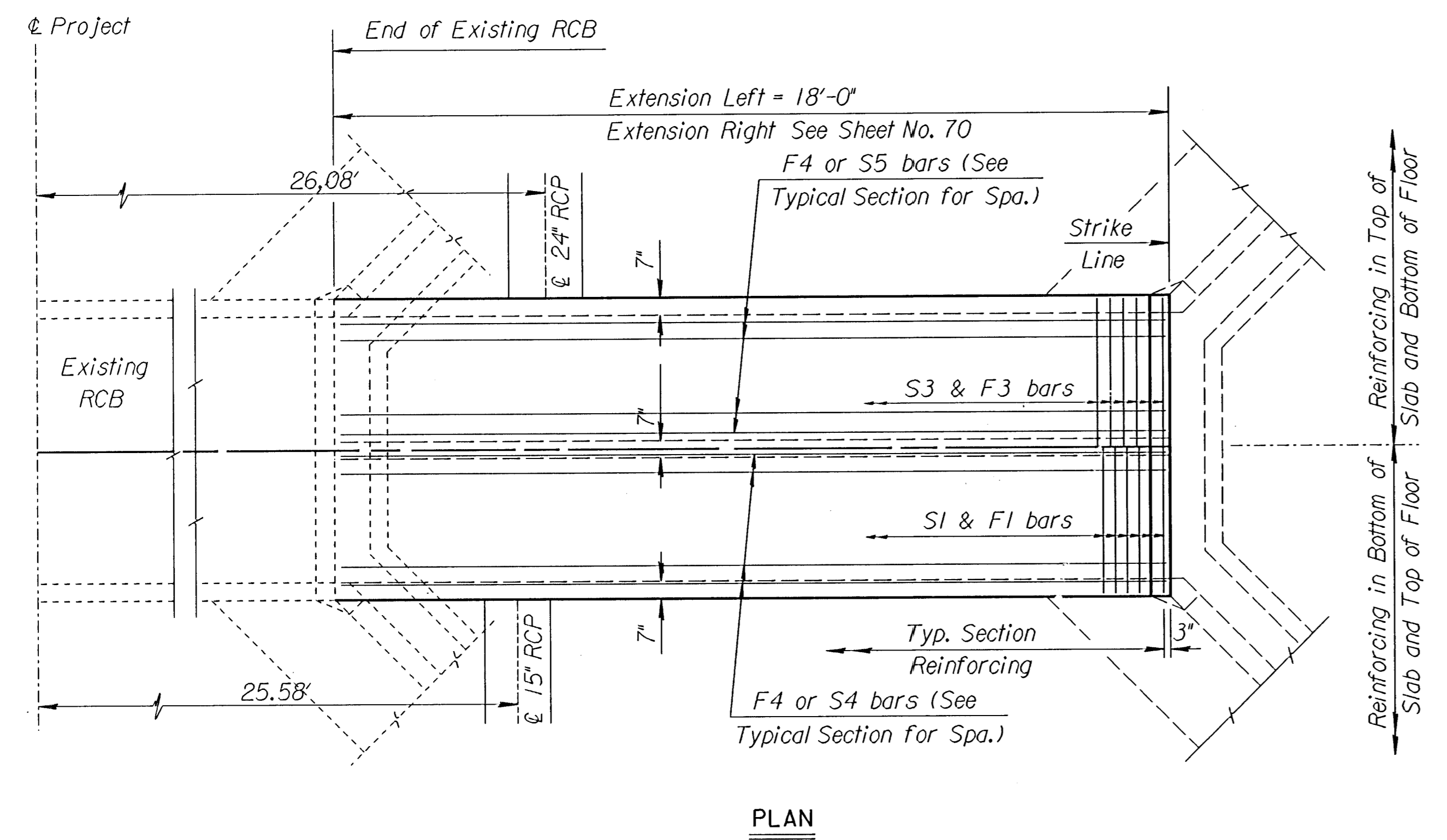
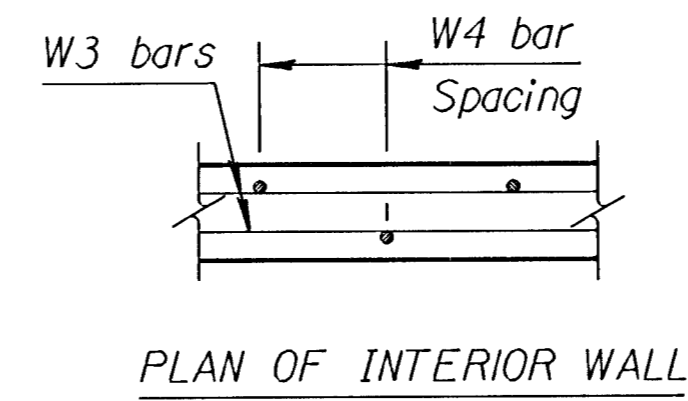
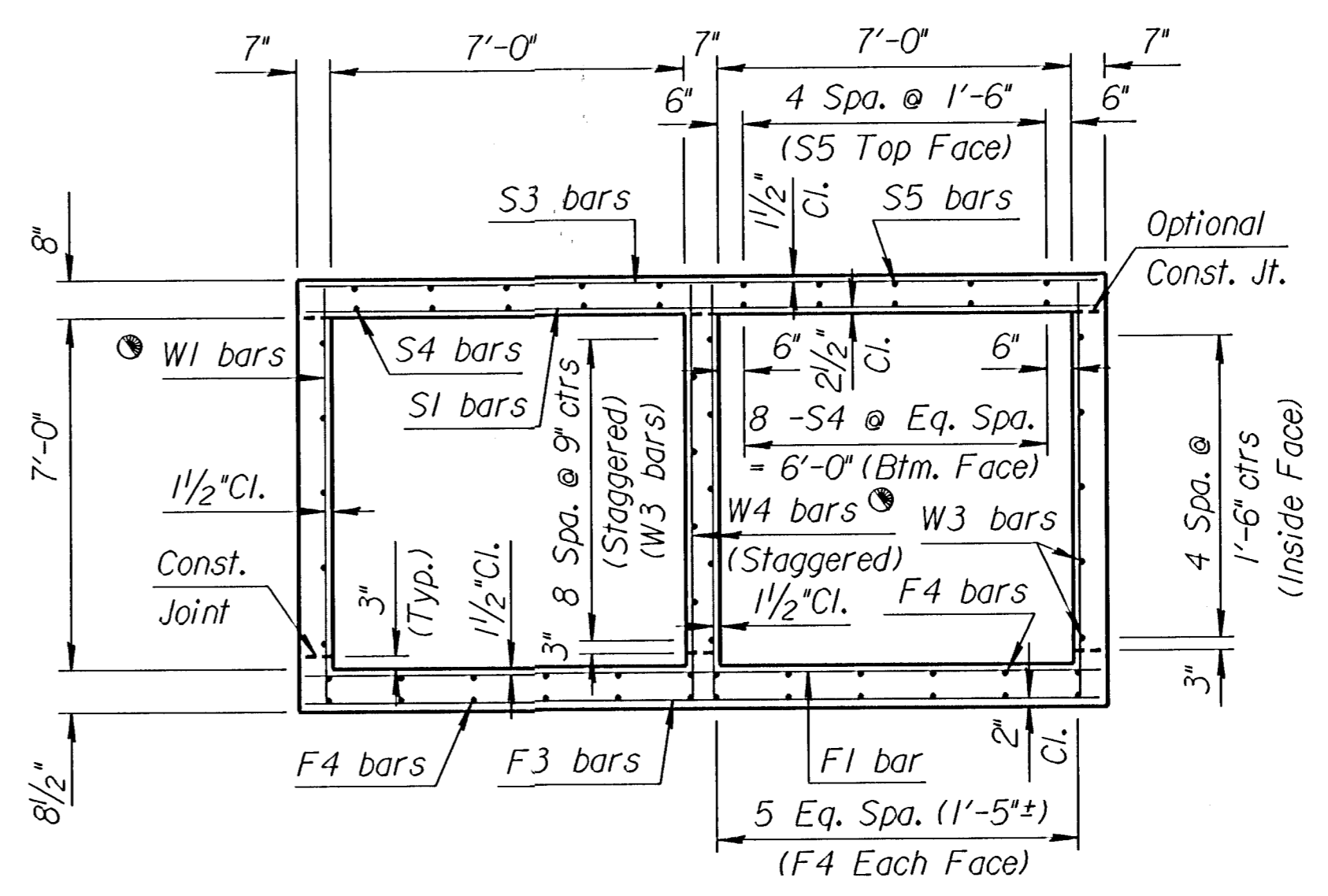
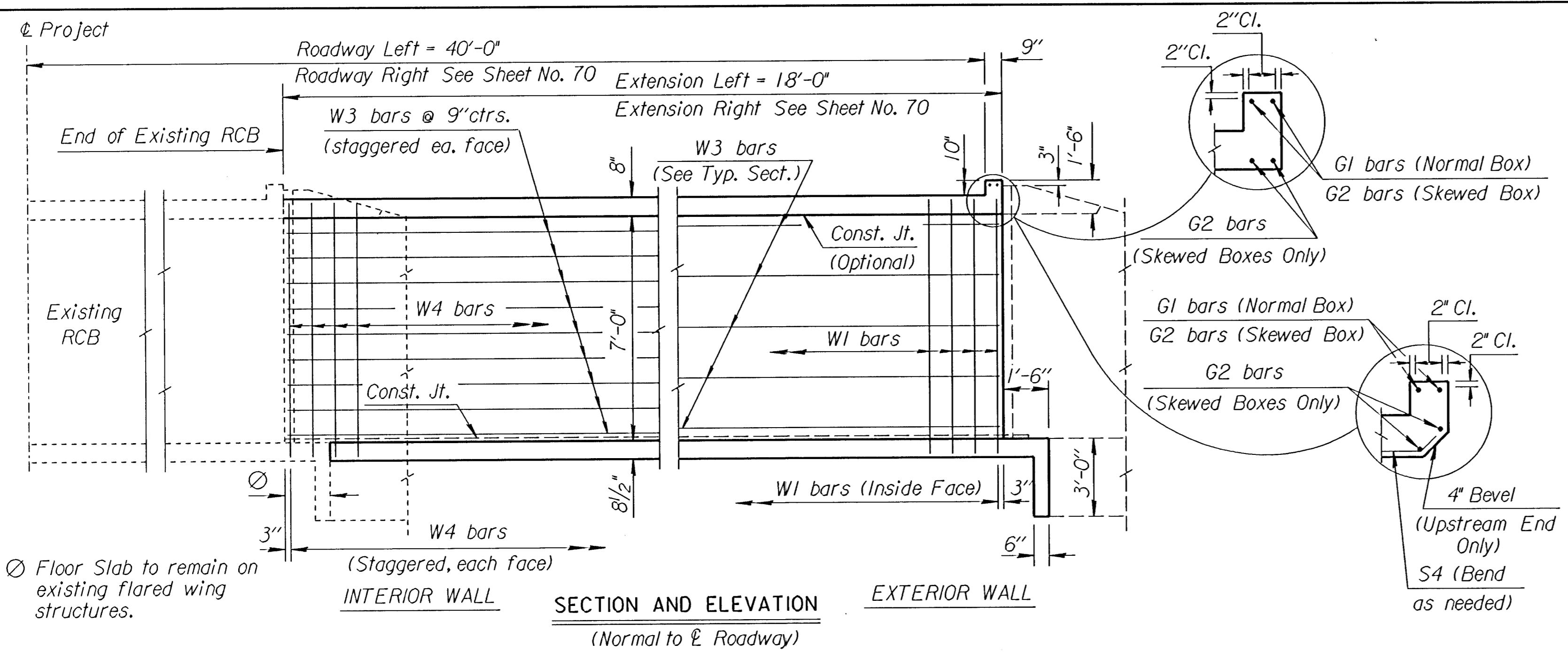


PROJECT NO.	YEAR	SHEET NO.	TOTAL SHEETS
618-34	1998	68	169

VERSION: 5.1.0 COMPILED: 03/01/95

DESIGN	DATE	DATE	DATE	DATE	DATE
DETAIL	DATE	DATE	DATE	DATE	DATE
QUANTITIES	DATE	DATE	DATE	DATE	DATE
TRACING	DATE	DATE	DATE	DATE	DATE
RETRACTED	DATE	DATE	DATE	DATE	DATE

DGN File: \\1995\95297\002\2-7\rcb.dgn  
Plotted by: DJW 11-5-97



See RCB Auxiliary Details for Optional Splice.  
See Standard No. 80 for additional details.

Note: Use only cast-in-place construction at this location.

**GENERAL NOTES**

**LOADING:** HS20-44 AASHTO Specifications, 1983 Edition.  
**UNIT STRESSES:** Class AAA Concrete;  $f'c = 4,000$  p.s.i.; Reinforcing Steel;  $f_y = 60,000$  p.s.i.  
**FILL HEIGHT:** Unless otherwise noted, the Design Fill Height is measured from the riding surface at the culvert and shall include the surfacing.  
**CONCRETE:** Class AAA Concrete shall be used throughout. Bevel all exposed edges with a  $\frac{3}{4}$  inch triangular moulding. Where Class AAA Concrete (AE) is specified, it shall be placed in the top slab above the Construction Joint.  
**REINFORCING:** All reinforcing shall conform to ASTM A615, Grade 60. All dimensions relative to reinforcing steel shall be to centerline of bar unless otherwise noted.  
**EXCAVATION:** Excavation shall not be paid for directly but shall be subsidiary to Class AAA Concrete.  
**SEAL COURSE:** A Seal Course shall be required by the Engineer. The Seal Course shall be unreinforced Concrete (Commercial Grade) to a minimum depth of 3 inches or as determined by the Engineer. Concrete for the seal course shall be paid for at the unit price set for Concrete for Seal Course.  
**FOUNDATION STABILIZATION:** Foundation Stabilization may be required as directed by the Engineer. The depth of Foundation Stabilization shall be determined by the Engineer. Foundation Stabilization shall be paid for at the determined Unit Price set for Foundation Stabilization. See Auxiliary Details.  
**QUANTITIES:** The quantities shown in the Culvert Summary include apron and/or soil saver quantities when their construction is required by the plans. Payment for additional quantities that result from including seal course and/or floating apron, as a change in original plans, shall be made at the Unit Price bid for the various items involved.  
**GRANULAR BACKFILL (WINGWALLS):** Special backfill procedures may be required at the direction of the Engineer. See Auxiliary Details Sheet.  
**STRIKE LINE:** Wingwalls and that portion of the RCB outside the Strike Line shall be constructed level. Footing for wingwalls shall be constructed with the culvert floor. See wingwall detail sheet.

Flow Line Elev.	Crown Gr. Elev.	Design Fill Ht.	Skew	Wings	Scour Apron	Soil Saver	Granular Backfill	Concrete			Reinf. Steel (Gr. 60)		
								Barrel (Cu.Yds.)	Wings (Cu.Yds.)	Total (Cu.Yds.)	Barrel (Lbs.)	Wings (Lbs.)	Total (Lbs.)
Ext.Lt. 1340.80	1349.89	2	0	FLARED	NO	NO	NO	22.94	12.01	34.95	4027.28	908.77	4936.05

#4	1'-4"
#5	1'-8"
#6	2'-0"

Ext. Lt.	F1				F3				F4				S1				S3				S4				S5							
	Size	Spa.	No.	Length	Size	Spa.	No.	Length	Size	Spa.	No.	Length	Size	Spa.	No.	Length	Size	Spa.	No.	Length	Size	Spa.	No.	Length	Size	Spa.	No.	Length				
Ext.Lt. 6	7"	33	15'-5"	-	-	-	-	5	6"	36	15'-5"	4	24	17'-8"	6	7"	33	15'-5"	-	-	-	-	5	6"	36	15'-5"	5	16	17'-8"	4	10	17'-8"
Ext.Rt.	-	-	-	-	-	-	-	-	-	-	-	-	-	-	-	-	-	-	-	-	-	-	-	-	-	-	-	-	-	-	-	

Ext. Lt.	K1				K2				W1				W3				W4				G1		G2		X1								
	Size	Spa.	No.	Length	Size	Spa.	No.	Length	Size	Spa.	No.	Length	Size	Spa.	No.	Length	Size	Spa.	No.	Length	Size	No.	Length	Size	Spa.	No.	Length	Size	Spa.	No.	Length		
Ext.Lt.	-	-	-	-	-	-	-	-	4	9"	48	8'-1"	-	-	-	-	4	19	17'-8"	4	9"	24	8'-1"	5	2	15'-5"	-	-	-	6	-	16	4'-6"
Ext.Rt.	-	-	-	*	-	-	-	*	-	-	-	-	-	-	-	-	-	-	-	-	-	-	-	-	-	-	-	-	-	-	-		

Class AAA Concrete	35.0 C.Y.
Class AAA Concrete (AE)	0.0 C.Y.
Reinforcing Steel (Gr. 60)	4940 Lbs.
Reinforcing Steel (Epoxy Coated)	0 Lbs.

**KANSAS DEPARTMENT OF TRANSPORTATION**  
Sta. 59+09

**DOUBLE 7' x 7' RCB**  
18'-0" EXT. LT.

**BR-207.07**      **SEDGWICK CO.**

FHWA APPROVAL	DESIGNED	DATE	6-5-91	APP'D	QUANTITIES	TRACED
DESIGN CK.	DETAIL CK.	DATE		QUAN. CK.	TRACE CK.	

KENNETH F. HURST