

PROJECT NO.	YEAR	SHEET NO.	TOTAL SHEETS
618-34	1998	69	169

GENERAL NOTES

UNIT STRESSES: Class AAA Concrete; $f'c = 4,000$ p.s.i.
Reinforcing Steel; $f_y = 60,000$ p.s.i.

CONCRETE: Class AAA Concrete shall be used throughout. Bevel all exposed edges with a $\frac{3}{4}$ inch triangular moulding.

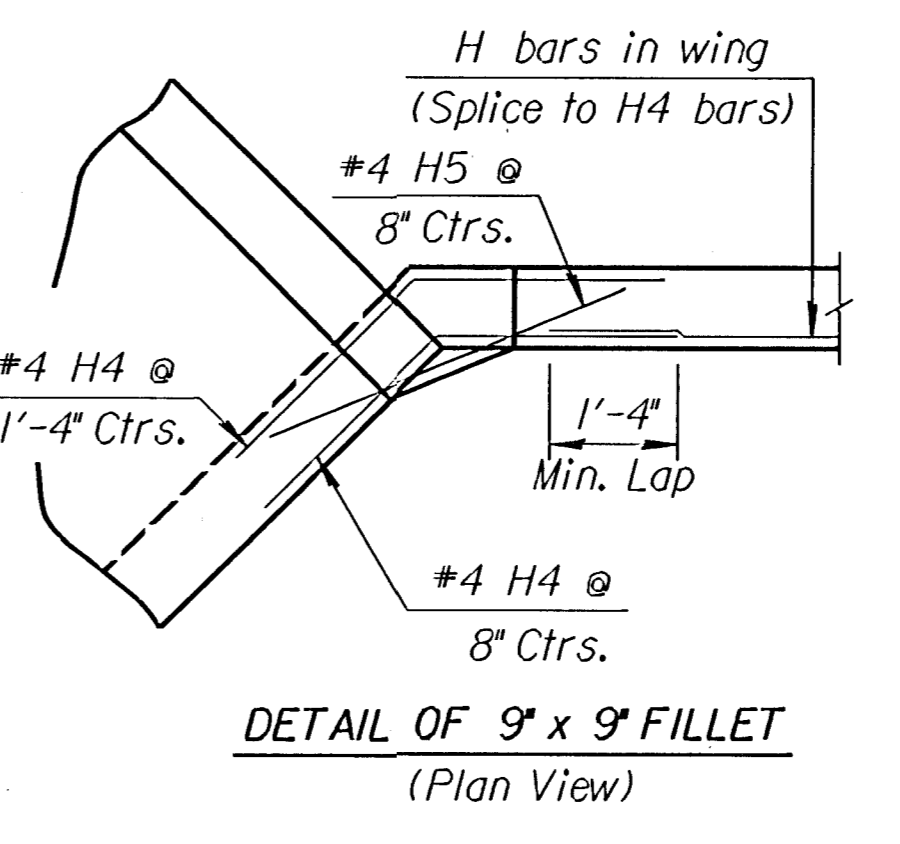
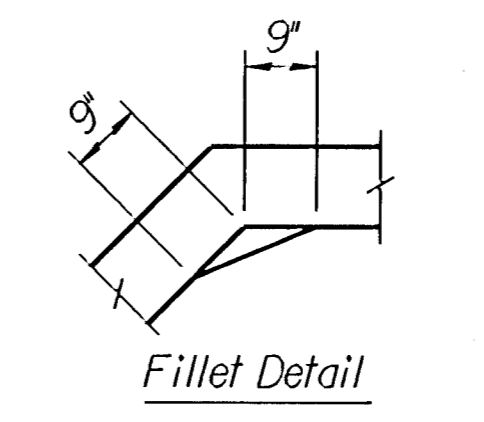
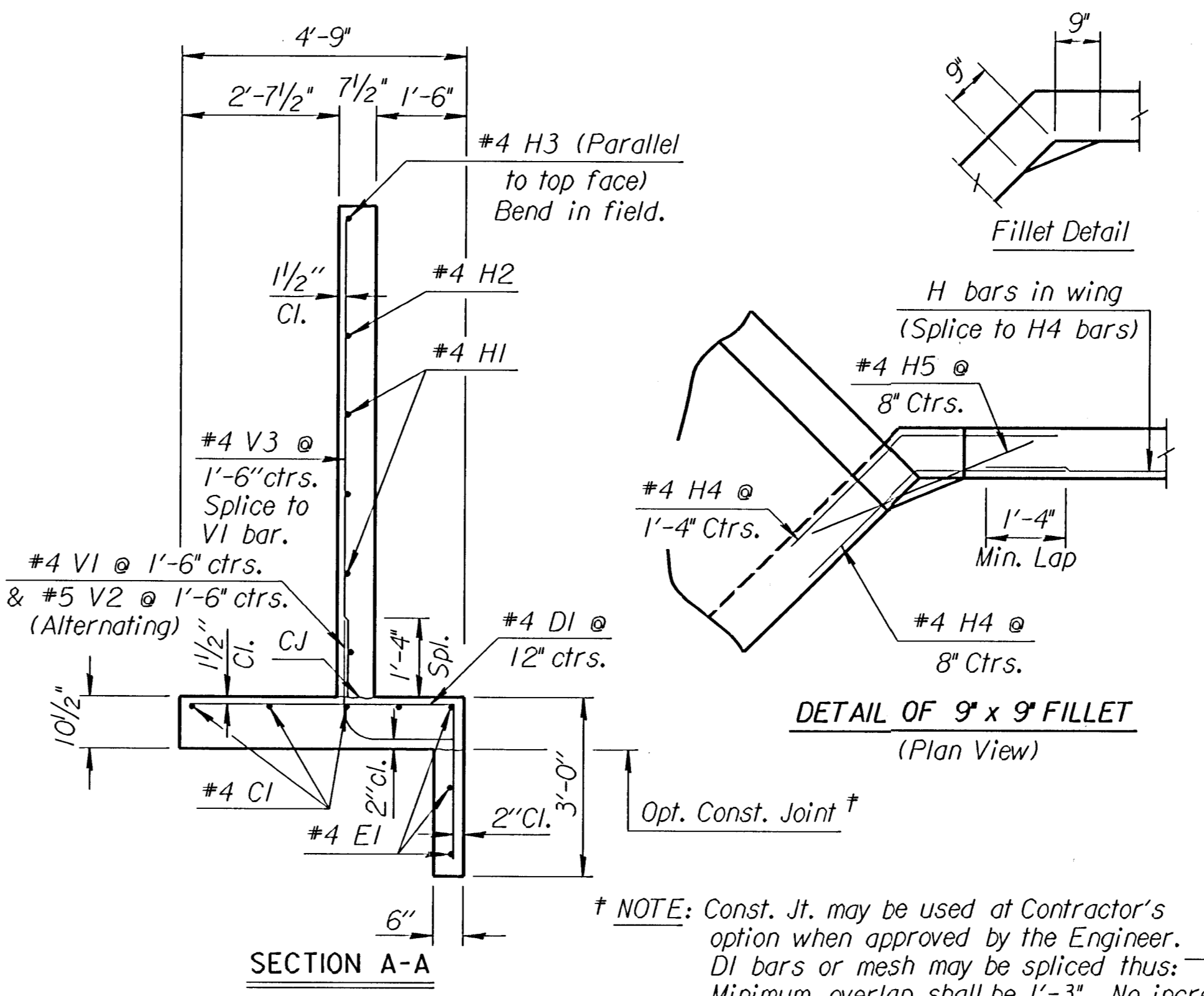
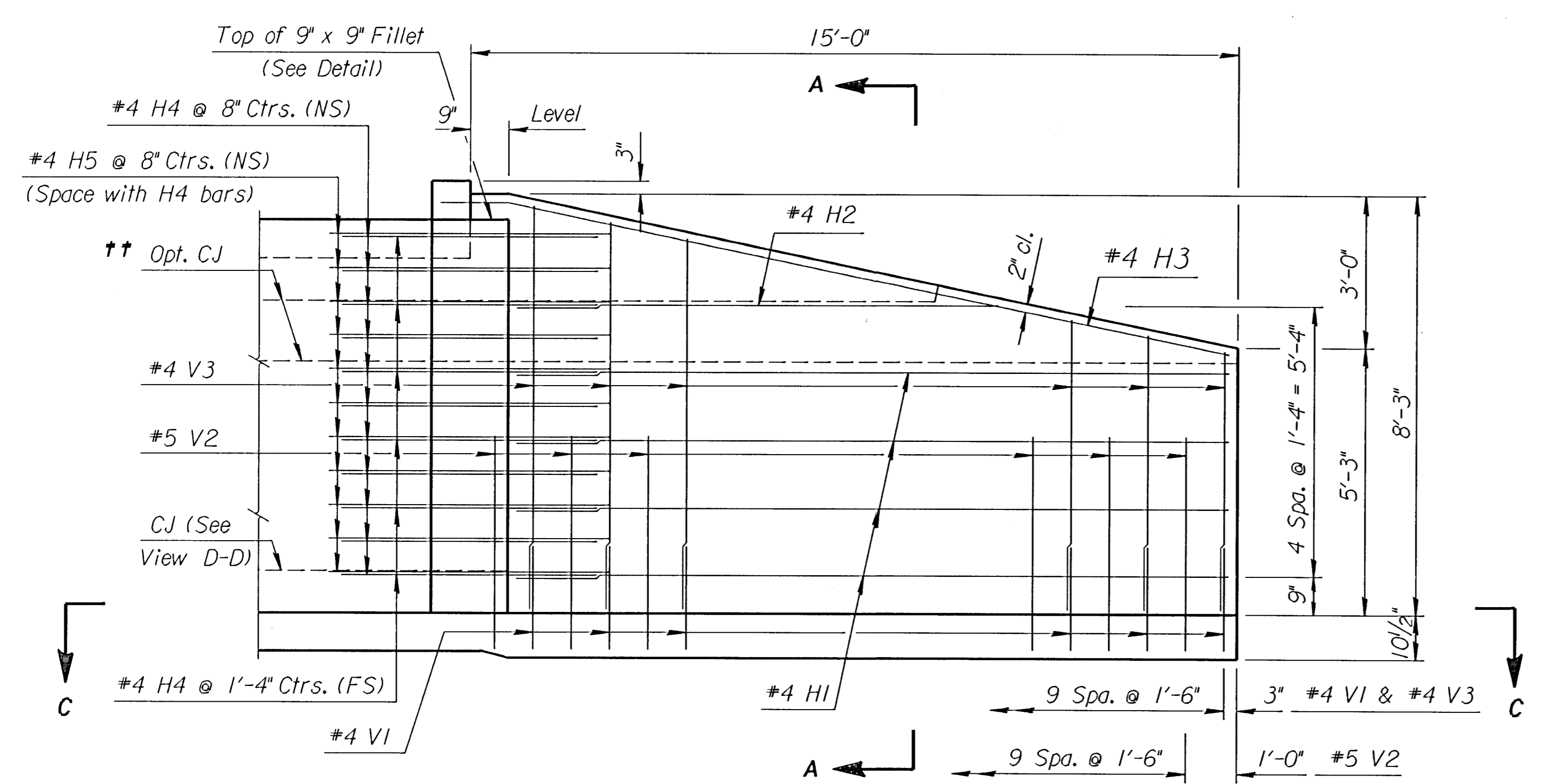
REINFORCING: All reinforcing shall conform to ASTM A615, Grade 60. Welded Wire Fabric shall conform to ASTM A185. All dimensions relative to reinforcing steel shall be to center-line of bar unless otherwise noted.

QUANTITIES: Wingwall Quantities include all quantities outside the neat lines of the box, excluding the hubguard.

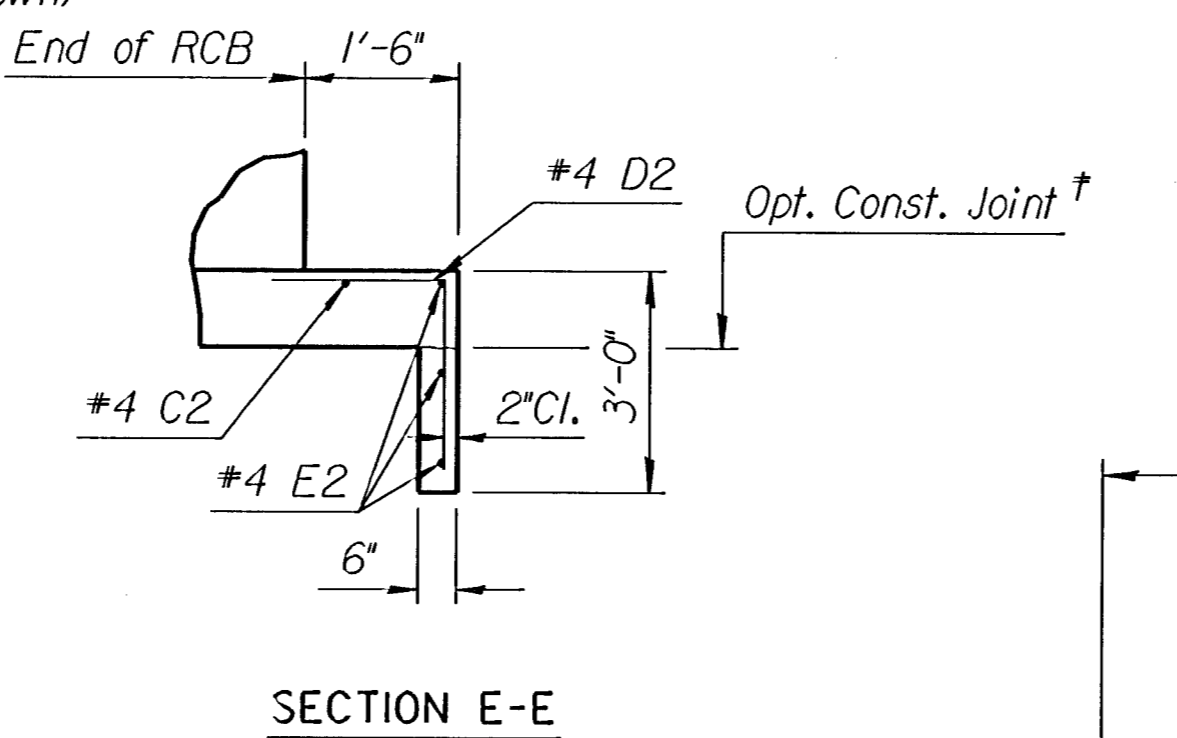
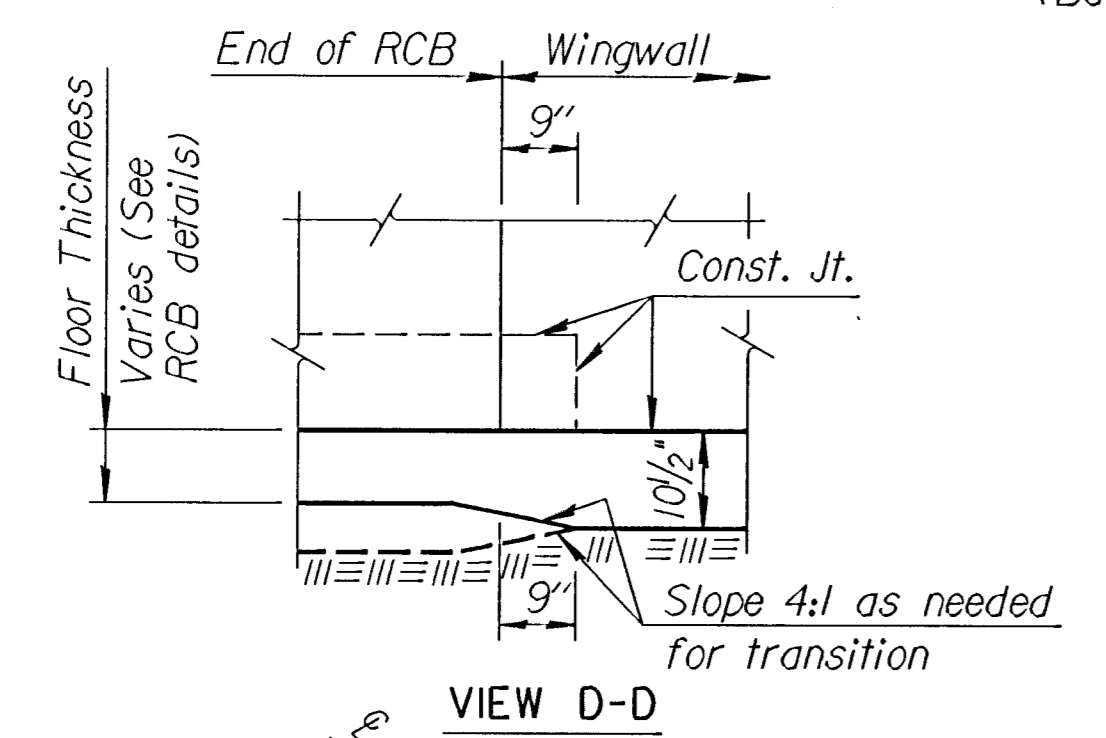
VERSION: 5.1.0 COMPILED: 03/01/95

DESIGN	DATE	DATE	DATE	DATE
DETAIL	DATE	DATE	DATE	DATE
QUANTITIES	DATE	DATE	DATE	DATE
TRAINING	DATE	DATE	DATE	DATE
RETIRED	DATE	DATE	DATE	DATE

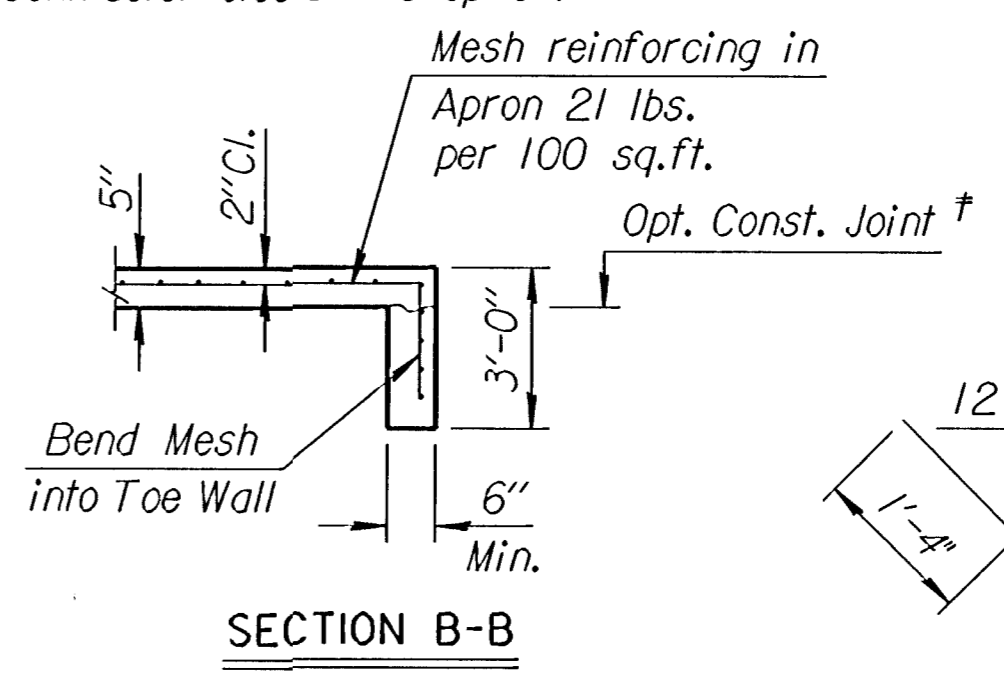
DGN File: i:\1995\95297\002\2-7\trcb.dgn
Plotted by: DJW 11-5-97



†† See RCB Details for location of construction joint.

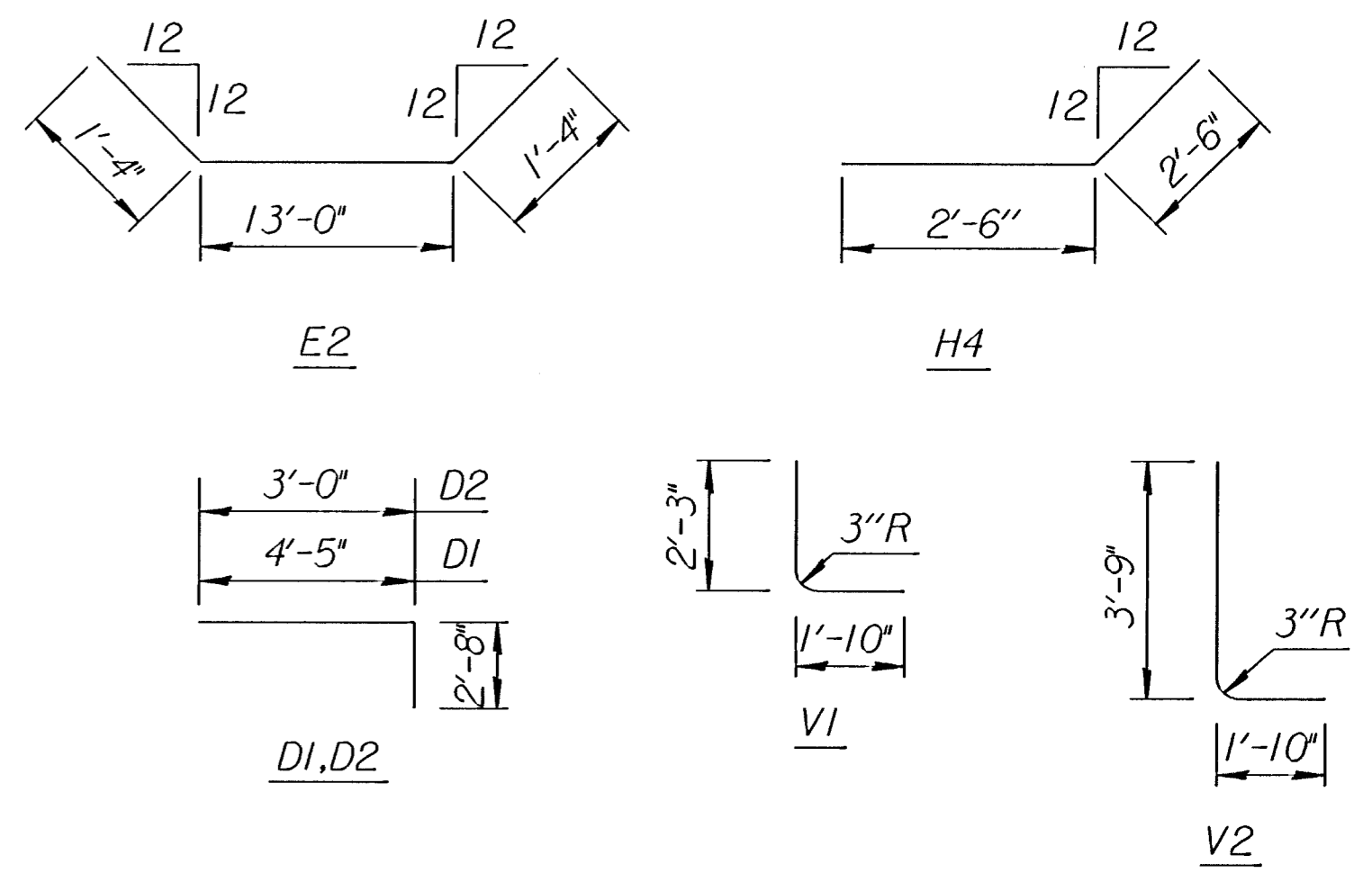


NOTE:
EF = Each Face
NS = Near Side
FS = Far Side
CJ = Const. Joint



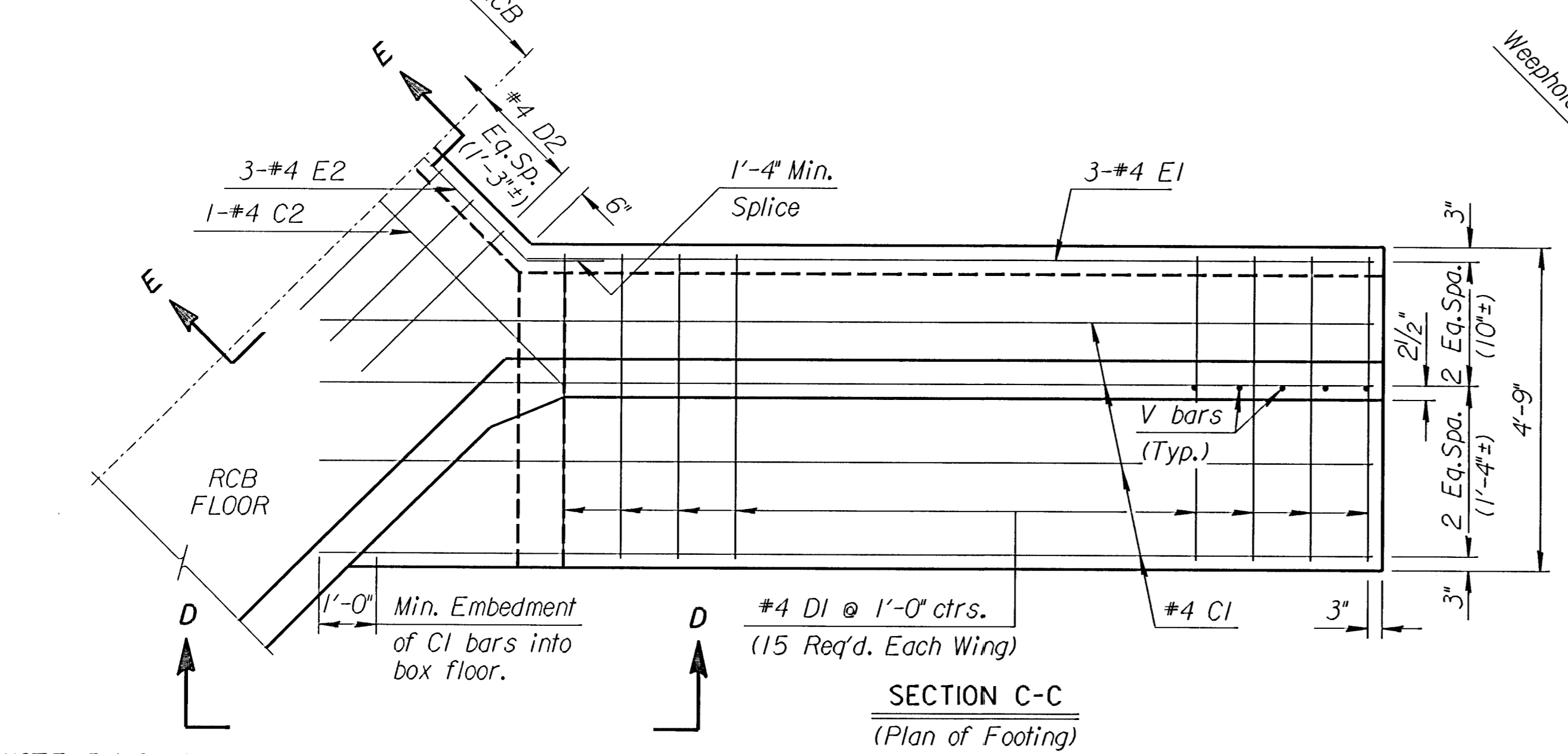
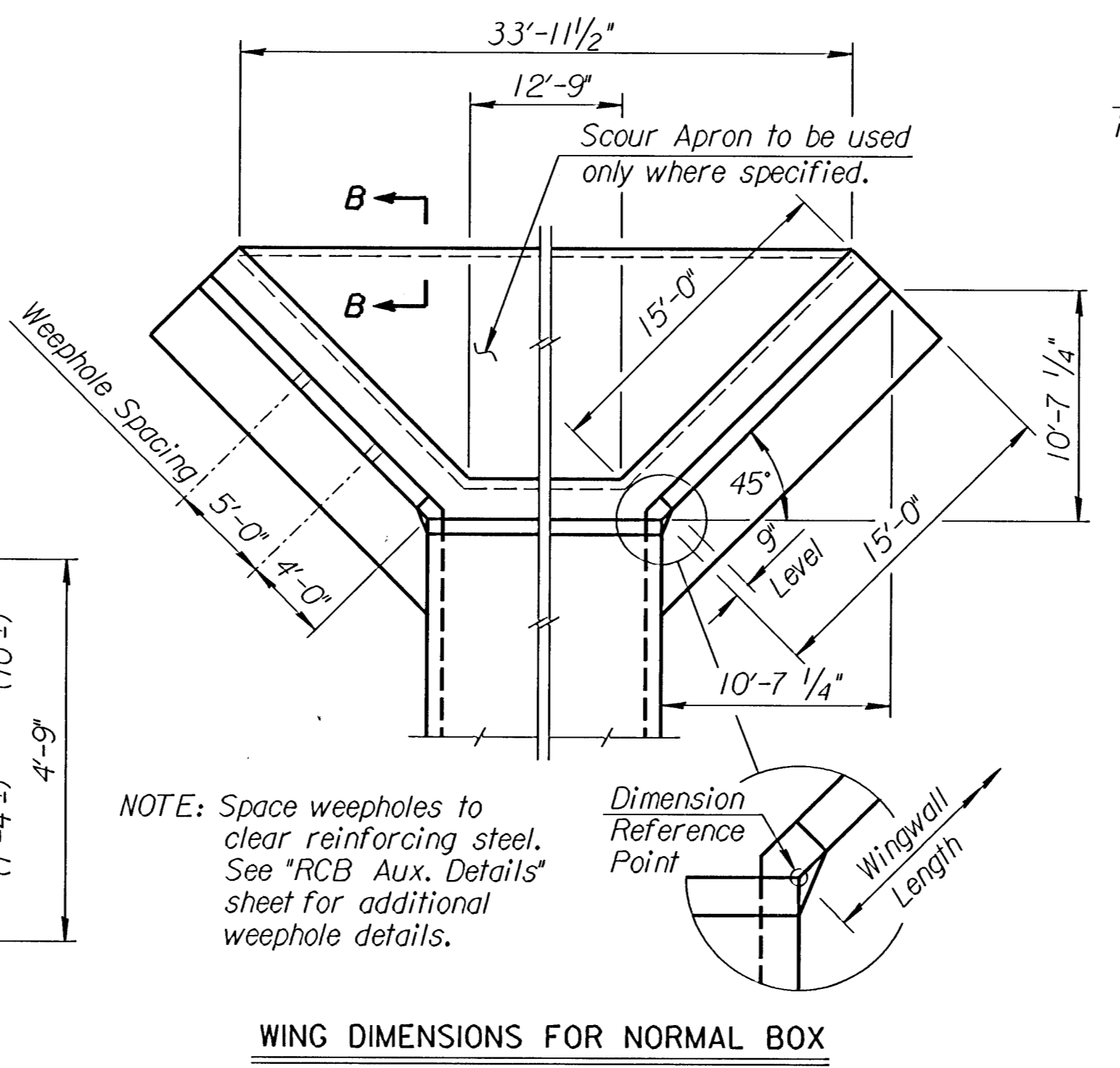
Var. 5'-0" to 8'-0" by equal increments (4") 2 Req'd. each length

V3



Quantities listed below are included in the Summary of Quantities shown on the RCB details on Sh. No. 68.

WINGWALL QUANTITIES (One End Only)		
Class AAA Concrete:		
Wingwalls	12.01	CY.
Apron	0.00	CY.
Soil Saver	0.00	CY.
Reinforcing Steel 908.77 Lbs.		
Welded Wire Fabric 0.00 Lbs.		



NOTE: Reinforcing Bar List is for both wings at one end of box only.

0° Skew	Mark	#4CI	#4DI	#4EI	#4C2	#4D2	#4E2	#4V1	#5V2	#4V3	#4H1	#4H2	#4H3	#4H4	#4H5
		Number	8	30*	6	1	10*	3*	20*	20*	20	8	2	2	34*
	Length	18'-3"	7'-1"	14'-9"	15'-5"	5'-8"	15'-8"	4'-1"	5'-7"	*	13'-10"	9'-6"	15'-10"	5'-0"	3'-6"

* See Bending Diagram

KANSAS DEPARTMENT OF TRANSPORTATION
Sta. 59+09

**FLARED WINGWALLS (EXT. LEFT)
7 FT. RISE (0'SKEW)**

BR-10-00-07 SEDGWICK CO.

DESIGNED BY: KENNETH F. HURST
APP'D: KENNETH F. HURST

DESIGN CK.: TRACED
DETAIL CK.: QUANTITIES
QUAN. CK.: TRACE CK.