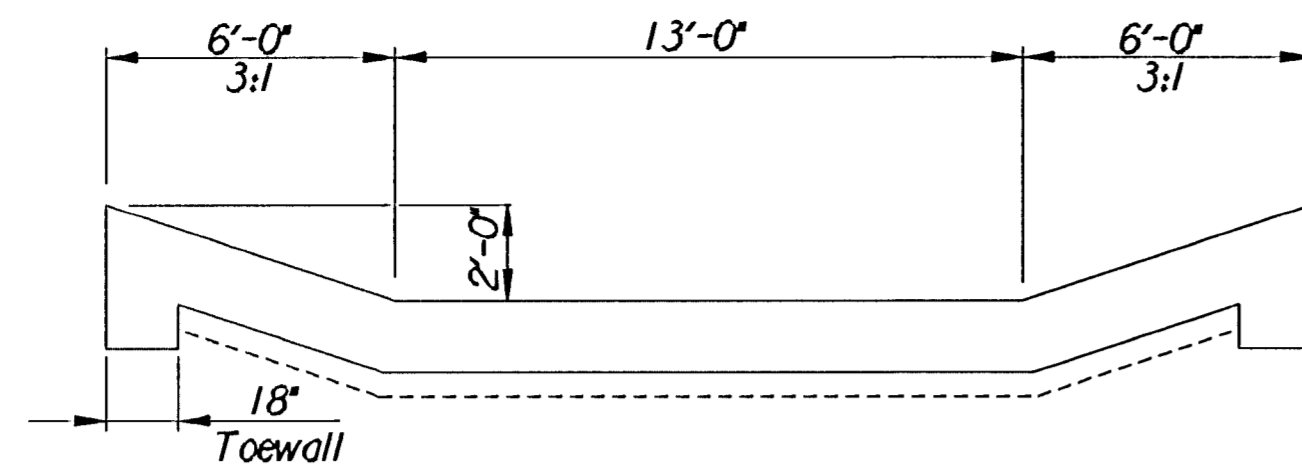
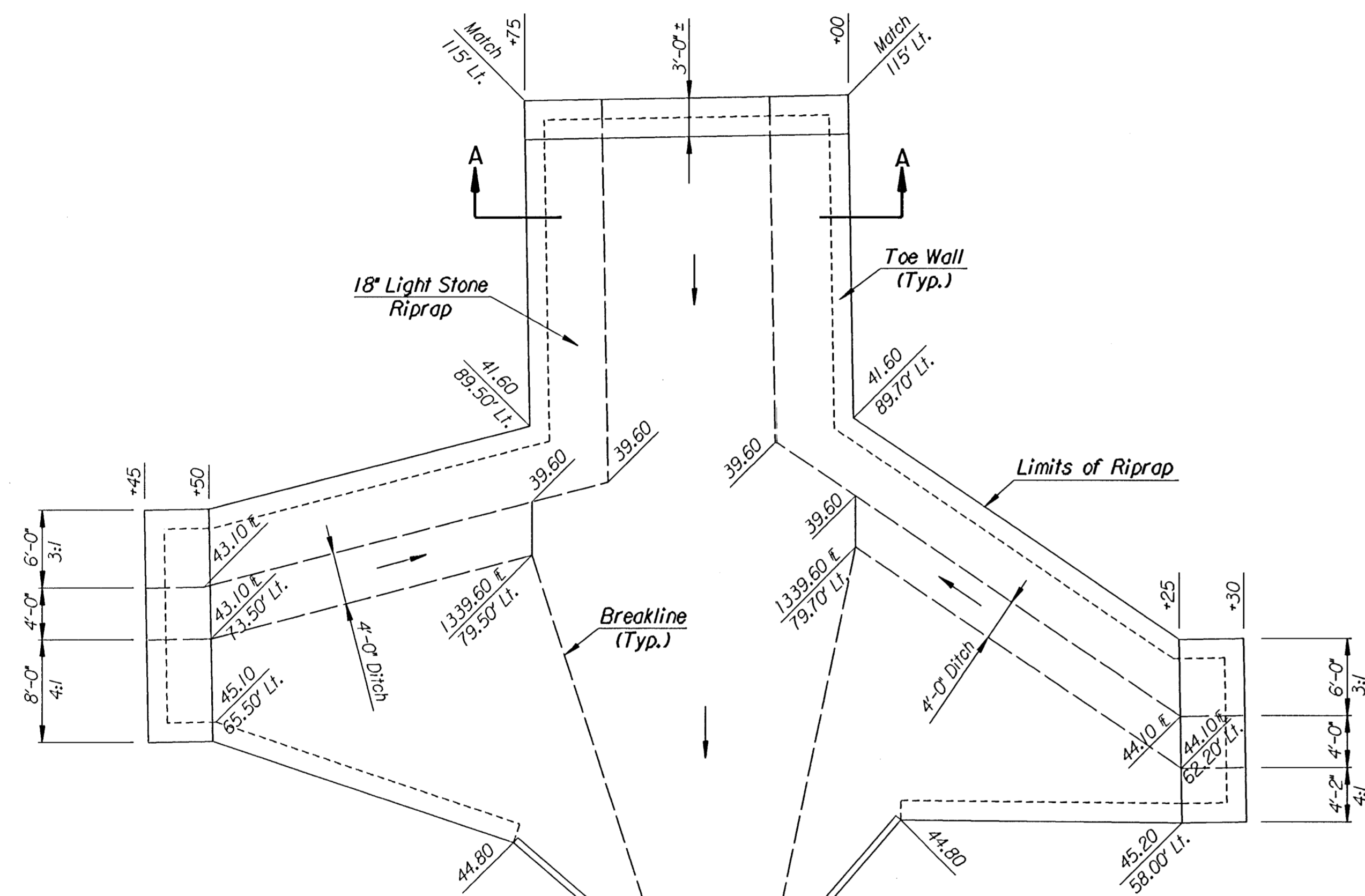


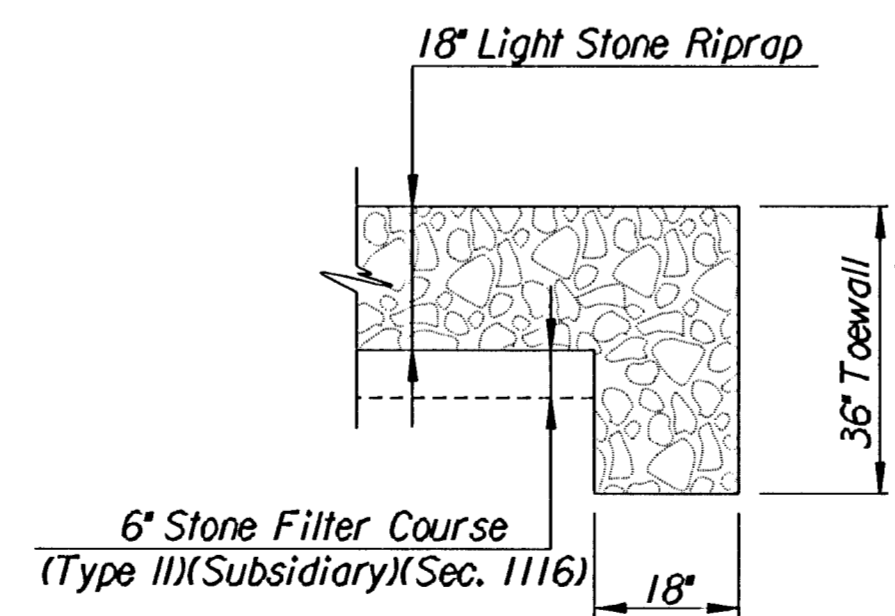
PROJECT NO.	YEAR	SHEET NO.	TOTAL SHEETS
618-34	1998	71	169



SECTION A-A

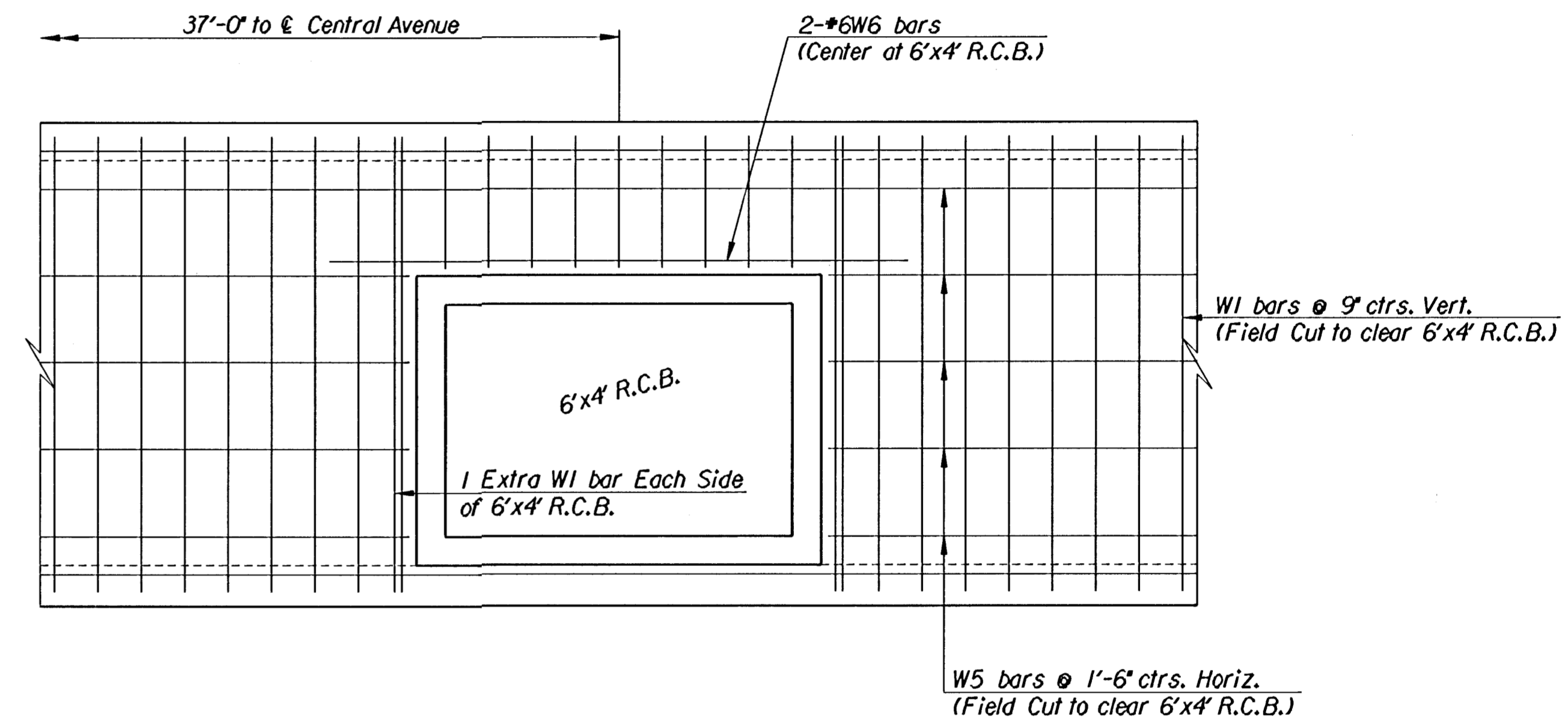


Central Sta. 65+89 Lt.



TYPICAL SECTION THRU TOEWALL
Toewall to be constructed on all unprotected faces.
Additional thickness shall be Subsidiary.

STONE RIPRAP DETAIL



SECTION B-B

i:\1995\96297\003\boxint.dgn
drawn by: will
plotted by: DJW 11-5-97

1			
No.	Revisions	By	Date
SEDGWICK COUNTY BUREAU OF PUBLIC SERVICES STA. 59+09.00 R.C.B. INTERSECTION/ RIPRAP DETAIL PROJECT NO. 618-34 SEDGWICK COUNTY PROFESSIONAL ENGINEERING CONSULTANTS, P.A. <small>ENGINEERS</small> WICHITA, KANSAS			
Designed by	R.W.A.	Checked by	R.A.S.
Drawn by	W.L.L.	Date	July 1997 Job No. 95297-2