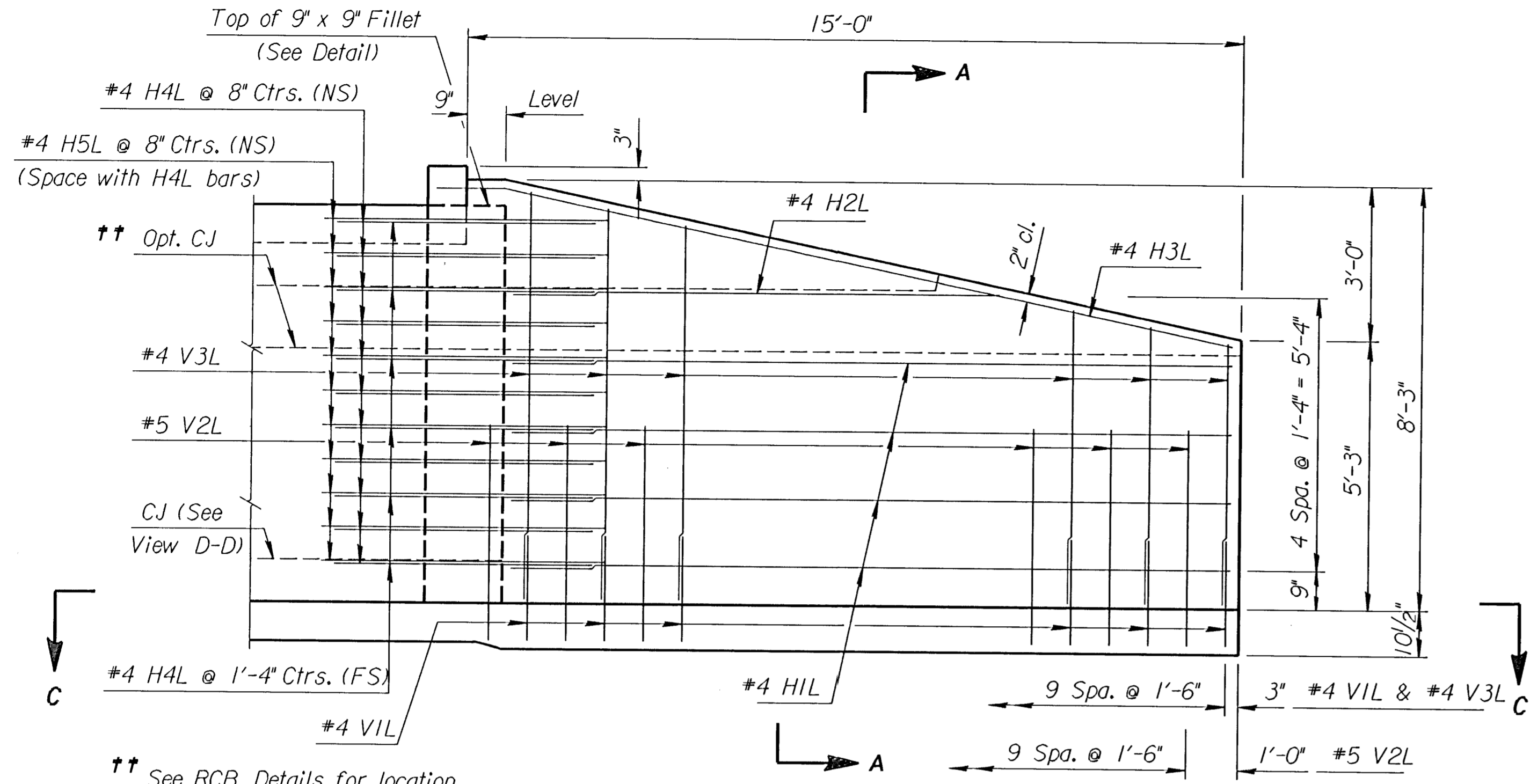


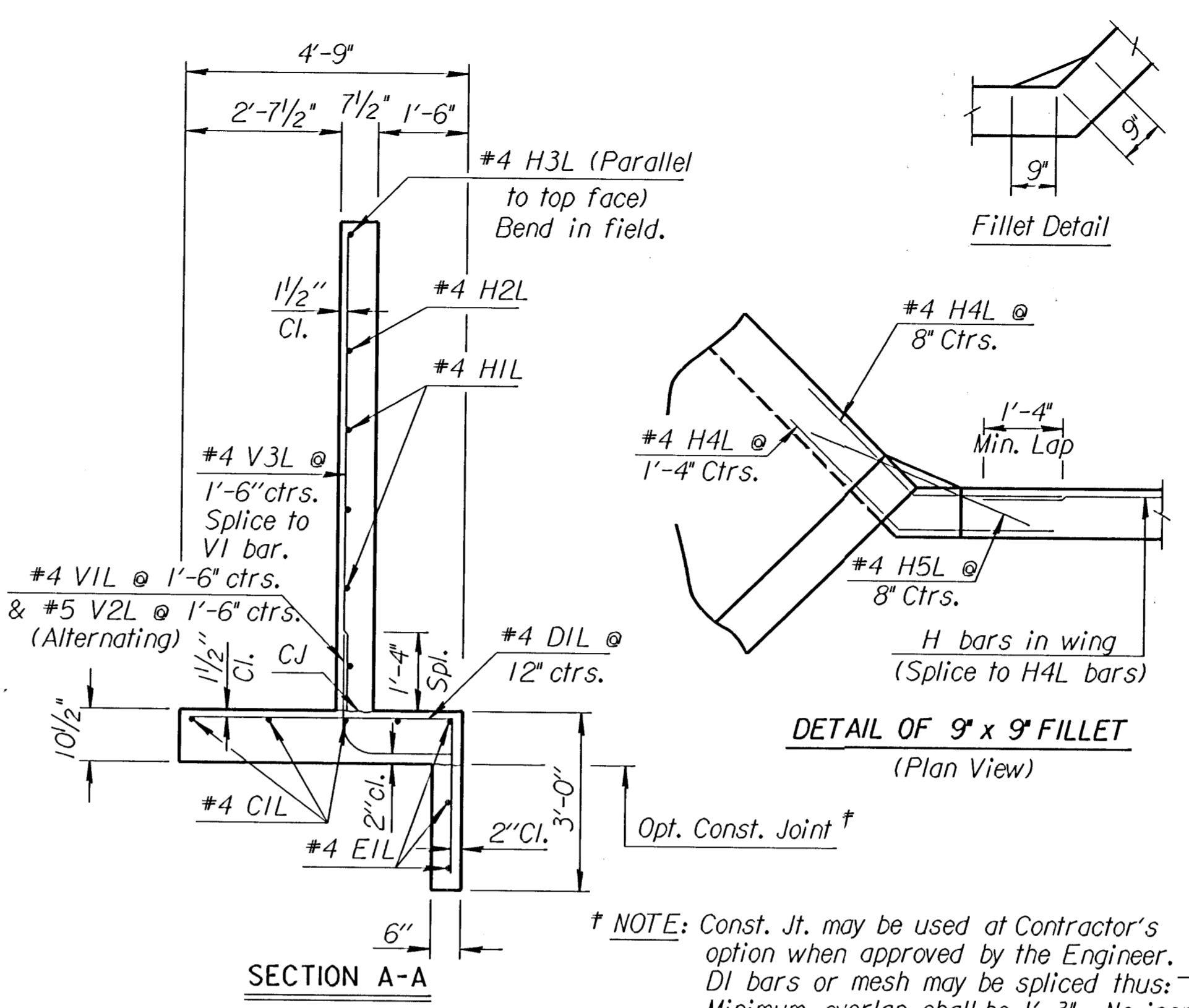
VERSION: 5.1.0 COMPILED: 03/01/95

DESIGN	DATE	REVISION	DATE

DGN File: i:\1995\95297\002\flwextr1.dgn
Plotted by: DJW 8-5-97
View=

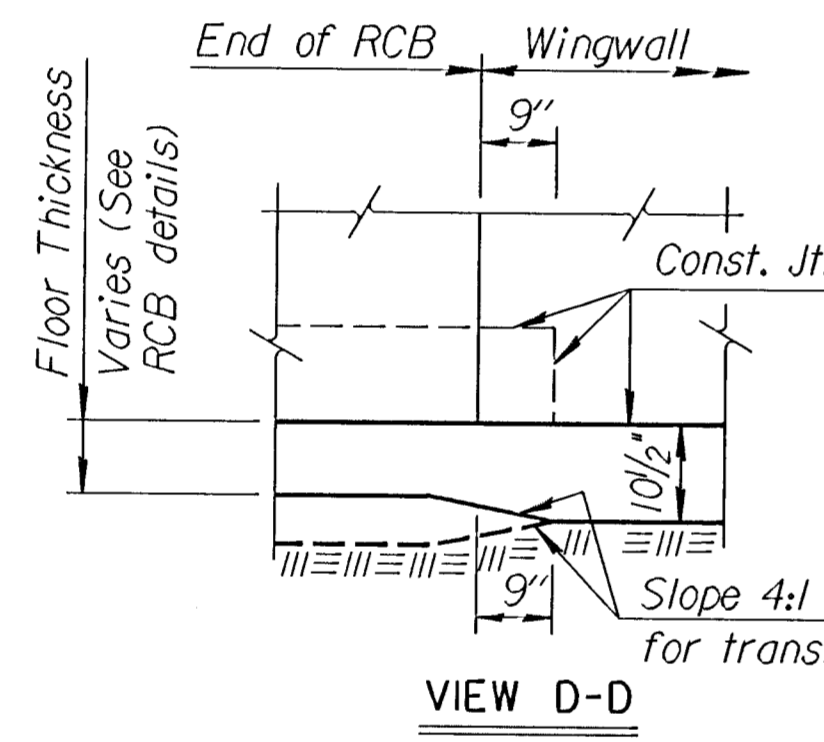


ELEVATION OF WINGWALL
(Front Face Shown)

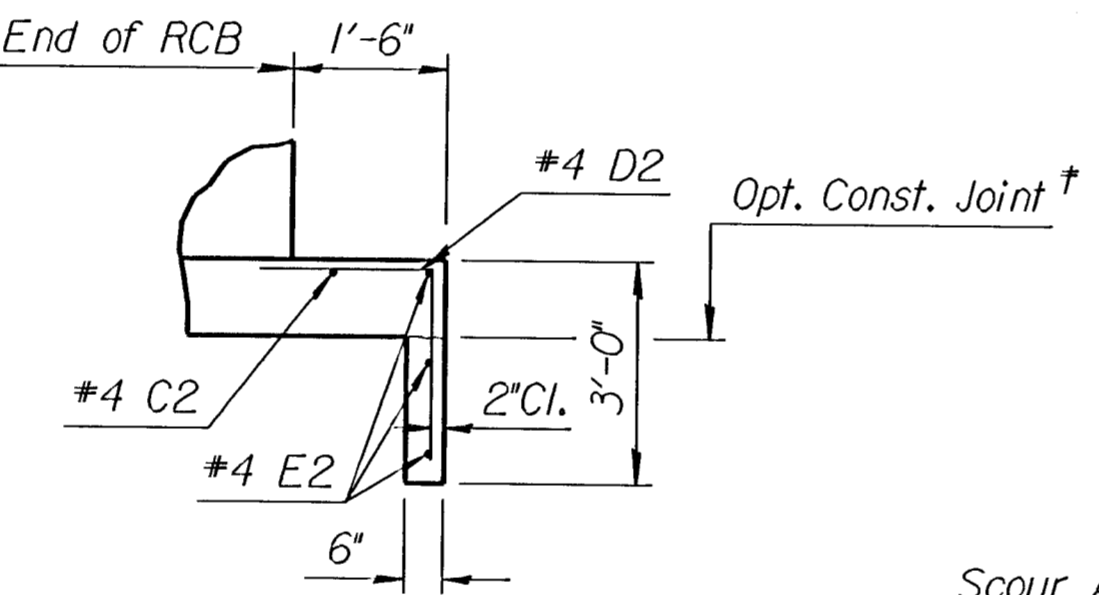


SECTION A-A

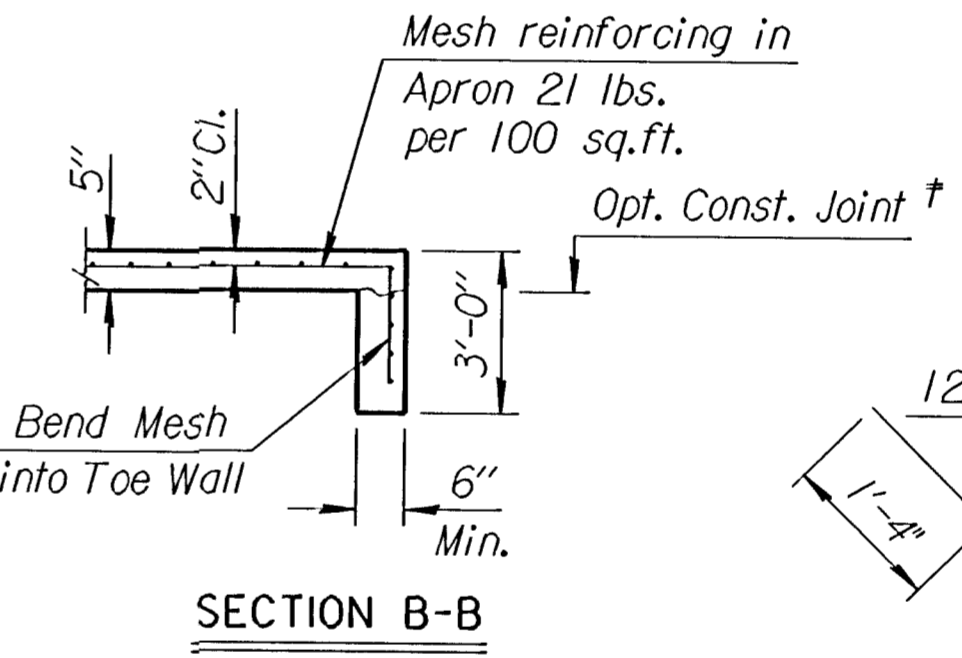
† NOTE: Const. Jt. may be used at Contractor's option when approved by the Engineer. DI bars or mesh may be spliced thus: Minimum overlap shall be 1'-3\"/>



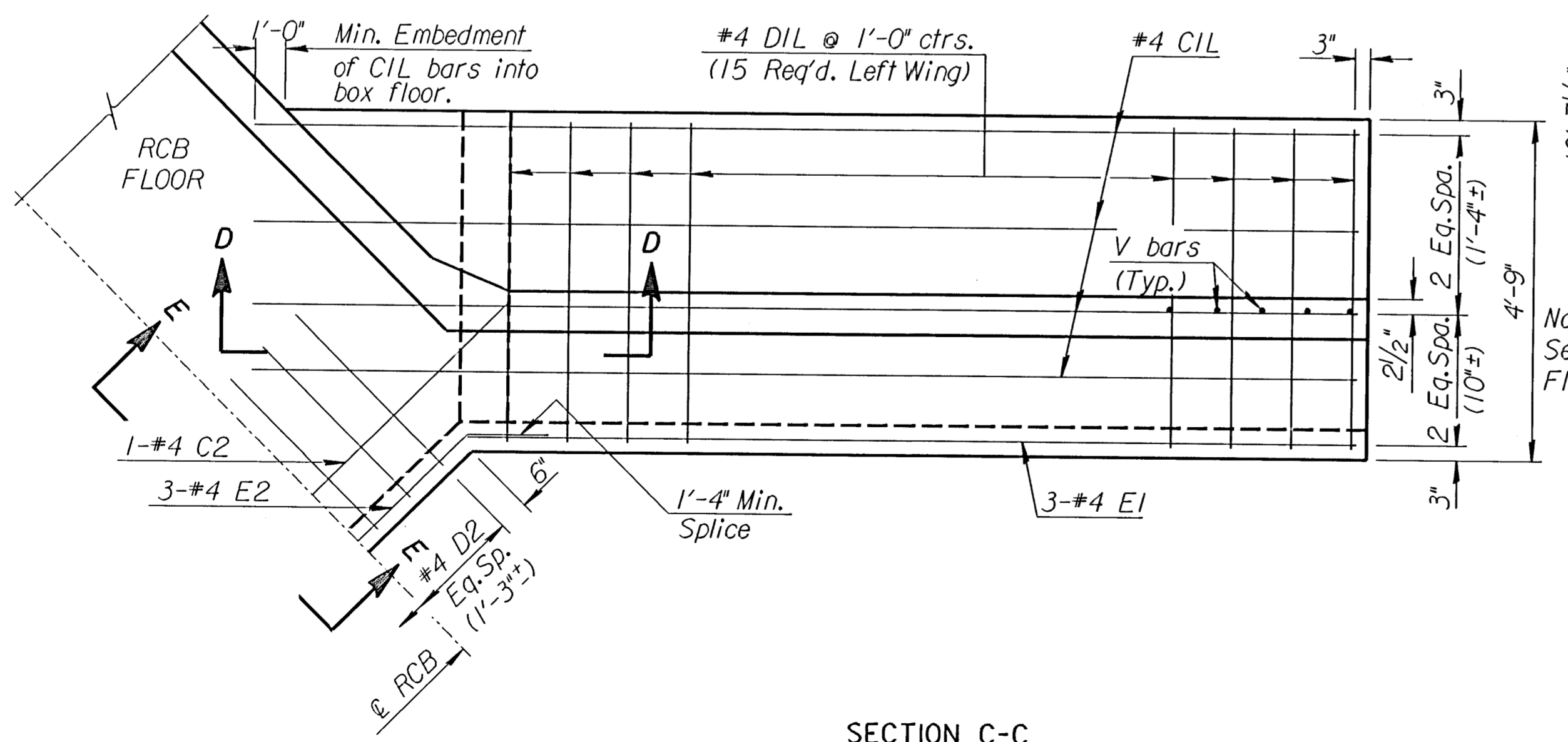
VIEW D-D



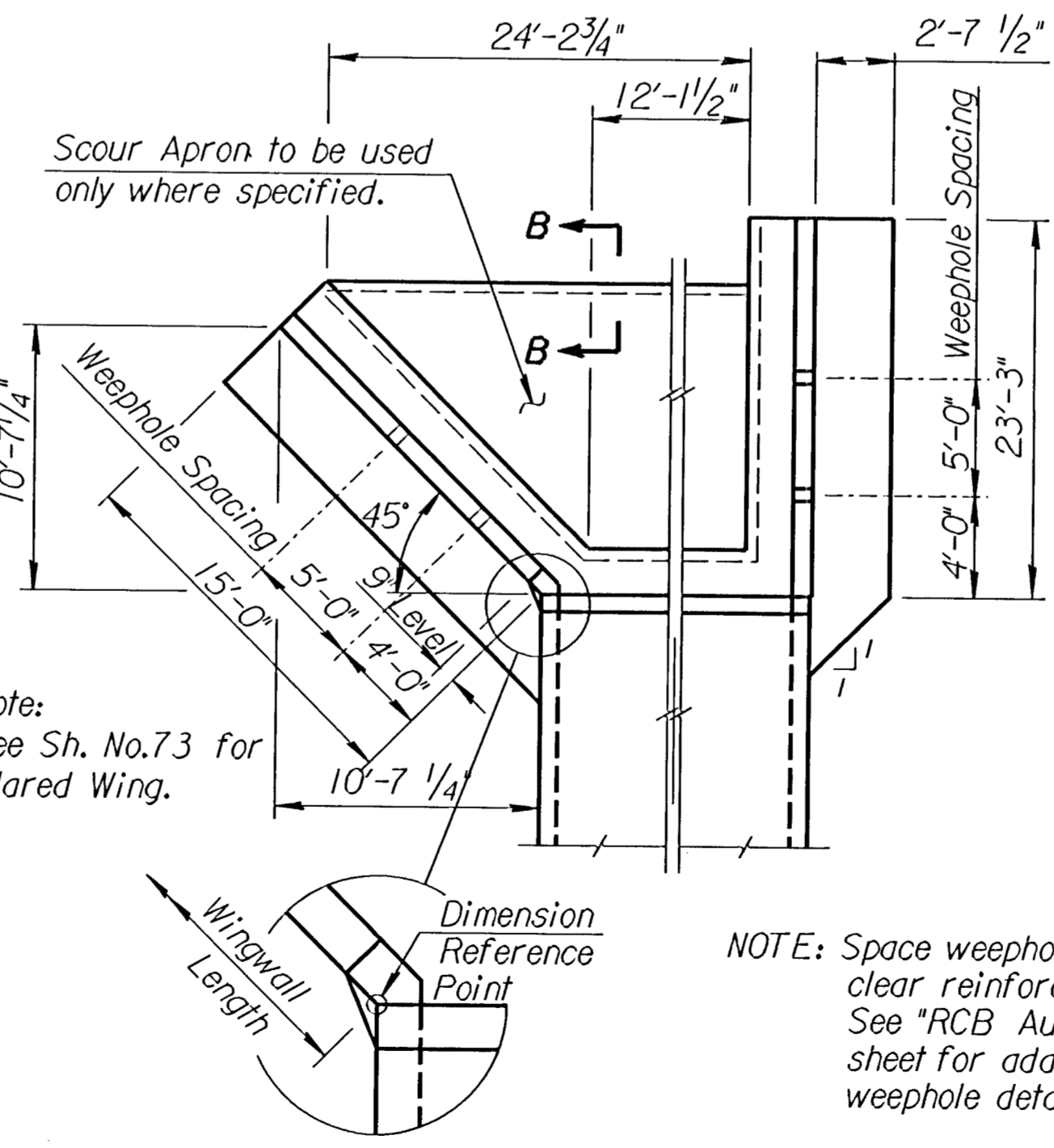
SECTION E-E



SECTION B-B



SECTION C-C
(Plan of Footing at Left Wing)



WING DIMENSIONS FOR NORMAL BOX
(3/2:1 Embankment Slope)

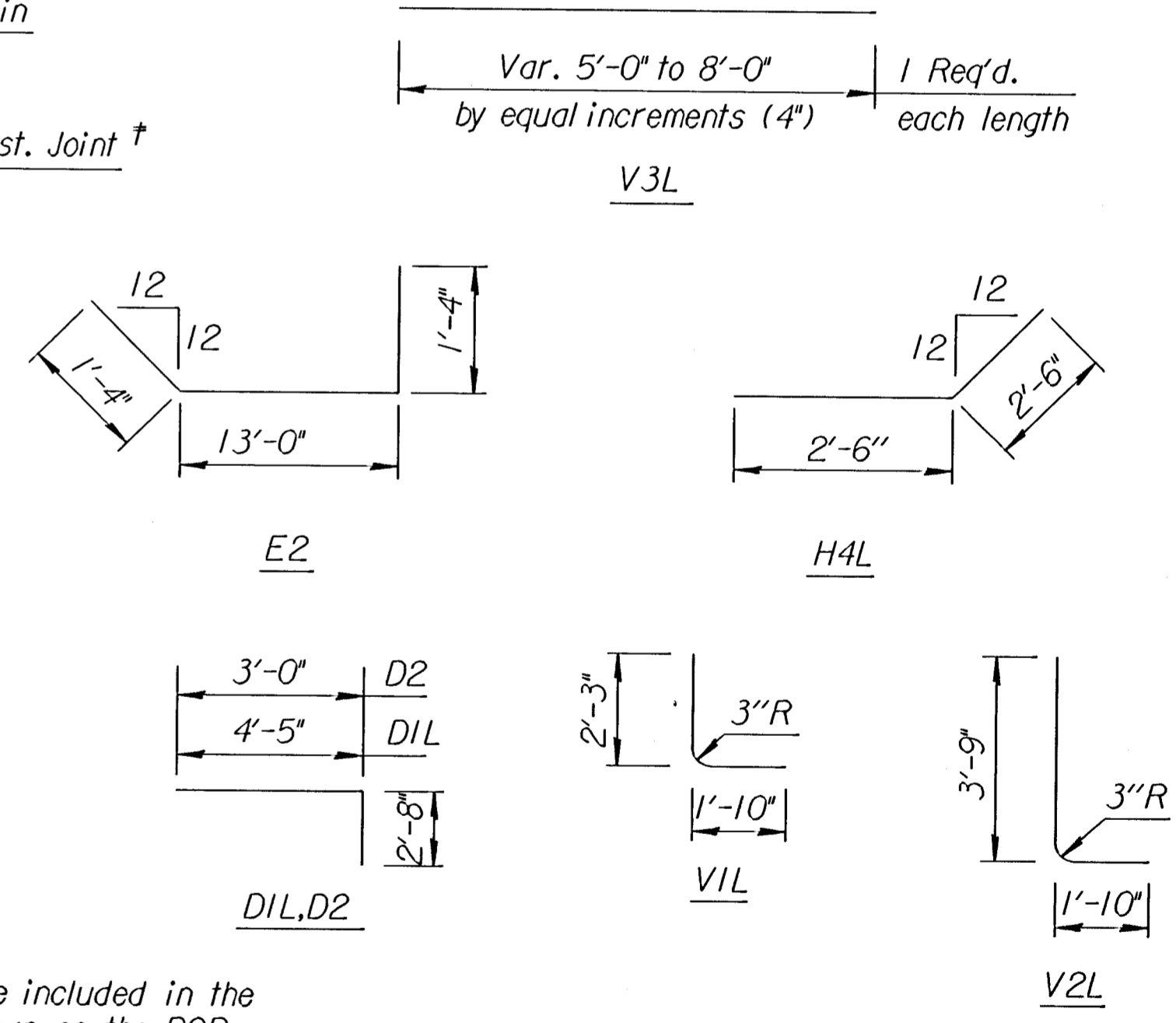
NOTE: Space weepholes to clear reinforcing steel. See "RCB Aux. Details" sheet for additional weephole details.

Quantities listed below are included in the Summary of Quantities shown on the RCB details (Sh. No. 70), and include both flared and straight wingwalls.

WINGWALL QUANTITIES		(One End Only)	
Class AAA Concrete:			
Wingwalls	-----	13.31	CY.
Apron	-----	0.00	CY.
Soil Saver	-----	0.00	CY.
Reinforcing Steel			
	-----	935.18	Lbs.
Welded Wire Fabric			
	-----	0.00	Lbs.

GENERAL NOTES

- UNIT STRESSES: Class AAA Concrete; f'c = 4,000 p.s.i. Reinforcing Steel; fy = 60,000 p.s.i.
- CONCRETE: Class AAA Concrete shall be used throughout. Bevel all exposed edges with a 3/4 inch triangular moulding.
- REINFORCING: All reinforcing shall conform to ASTM A615, Grade 60. Welded Wire Fabric shall conform to ASTM A185. All dimensions relative to reinforcing steel shall be to center-line of bar unless otherwise noted.
- QUANTITIES: Wingwall Quantities include all quantities outside the neat lines of the box, excluding the hubguard.



BENDING DIAGRAM

(All dimensions are out to out of bars.)

NOTE: Reinforcing Bar List is for one wing at one end of box only.

0° Skew	Mark	#4CIL	#4DIL	#4EIL	#4C2	#4D2	#4E2	#4VIL	#5V2L	#4V3L	#4H1L	#4H2L	#4H3L	#4H4L	#4H5L
	Number	4	15 *	3	1	10 *	3 *	10 *	10 *	10	4	1	1	17 *	11
	Length	18'-3"	7'-1"	14'-9"	18'-0"	5'-8"	15'-8"	4'-1"	5'-7"	*	13'-10"	9'-6"	15'-10"	5'-0"	3'-6"

* See Bending Diagram

NO.	DATE	REVISIONS	BY	APP'D

KANSAS DEPARTMENT OF TRANSPORTATION
Sta. 59+09
FLARED WINGWALL (EXT. RT.)
7 FT. RISE (O'SKEW)

BR 10.00.07 SEDGWICK CO.

DESIGNED	6-5-91	APP'D	KENNETH F. HURST
DESIGN CK.		DETAIL CK.	
		QUANTITIES	
		QUAN. CK.	