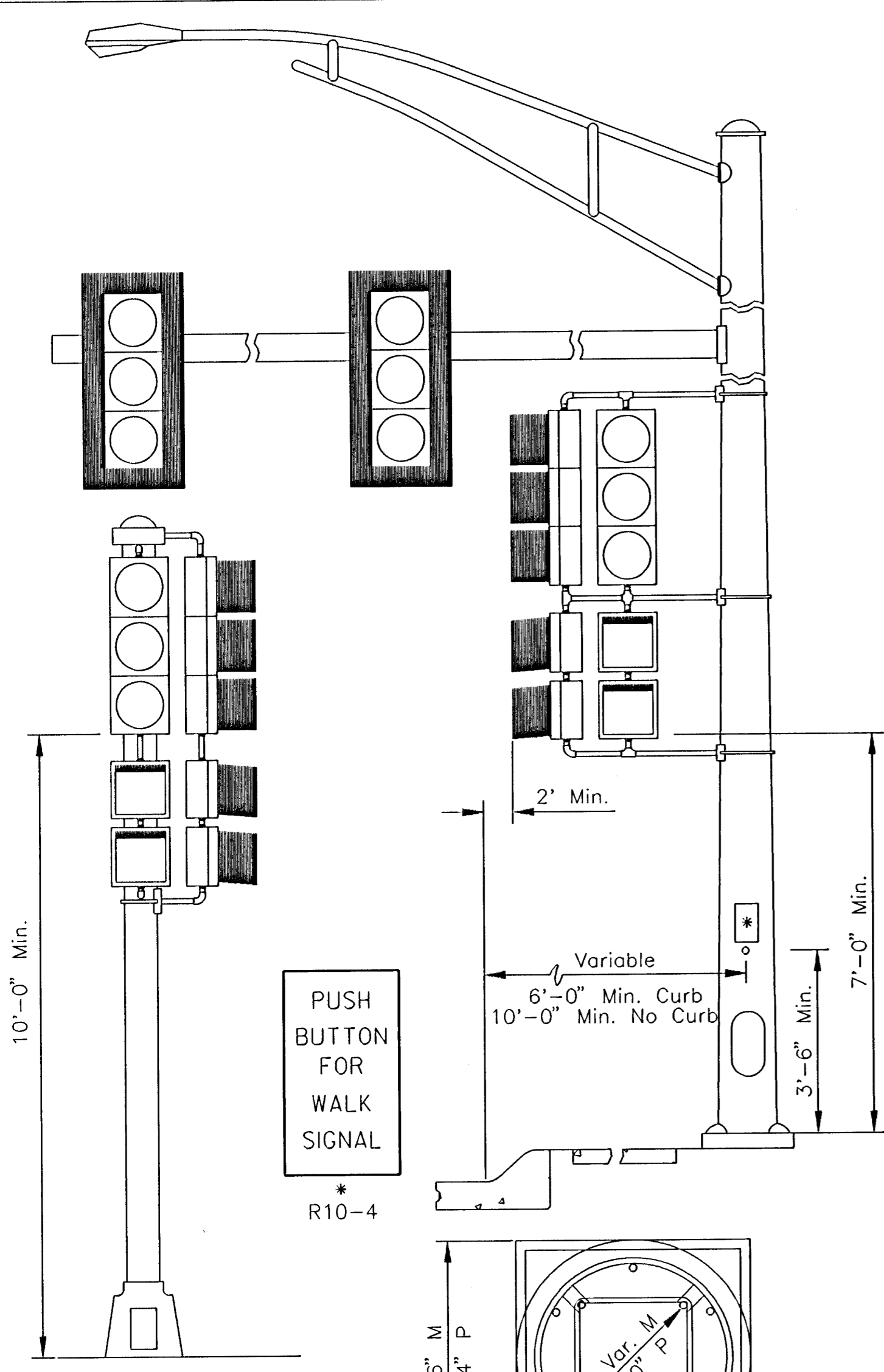
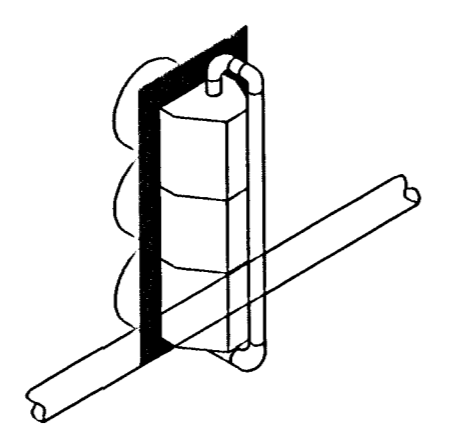


STATE	PROJECT NUMBER	FISCAL YEAR	SHEET NO.	TOTAL SHEETS
KANSAS	618-34	1998	30	100



Dimensions shown are typical only. Actual dimensions shall be supplied by the MFR.

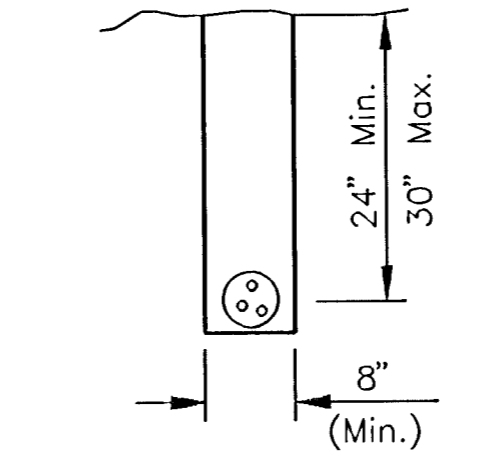
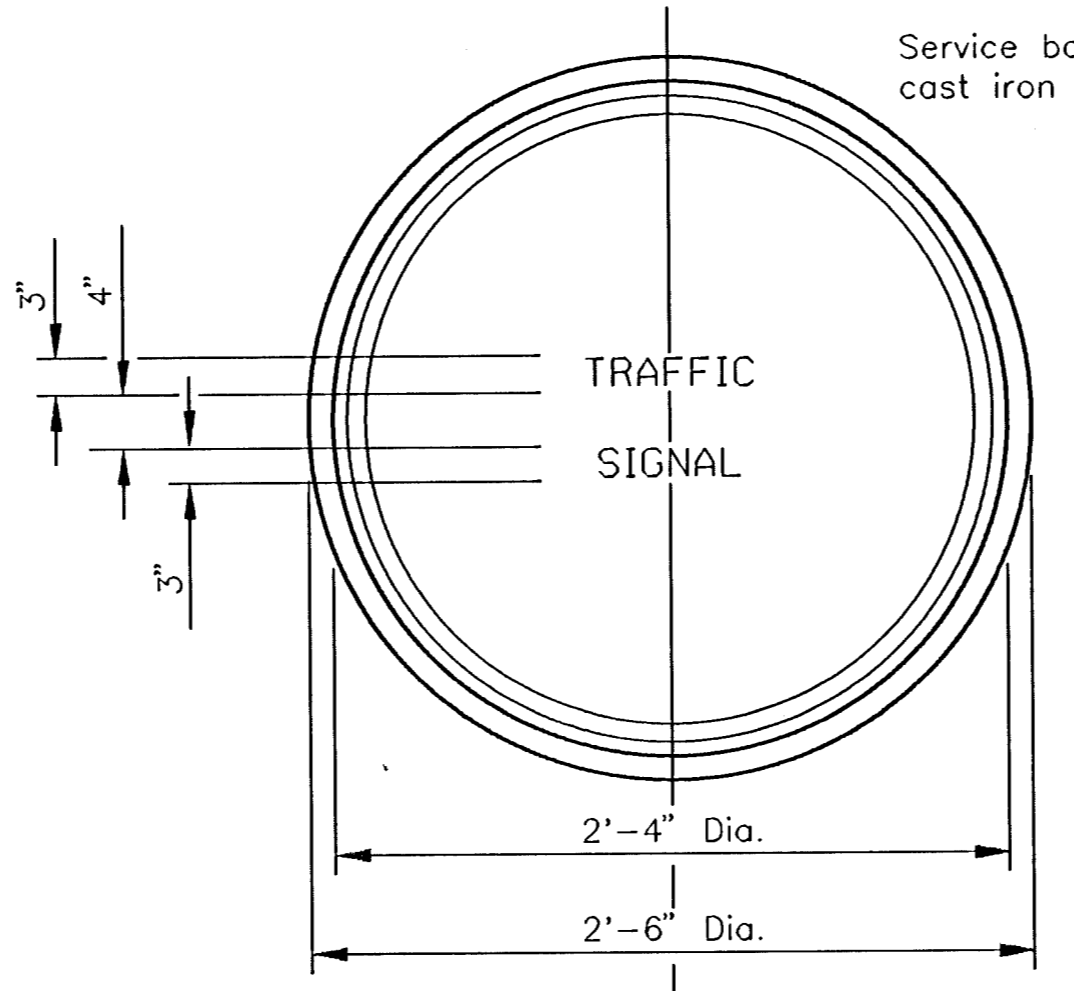


GENERAL NOTES

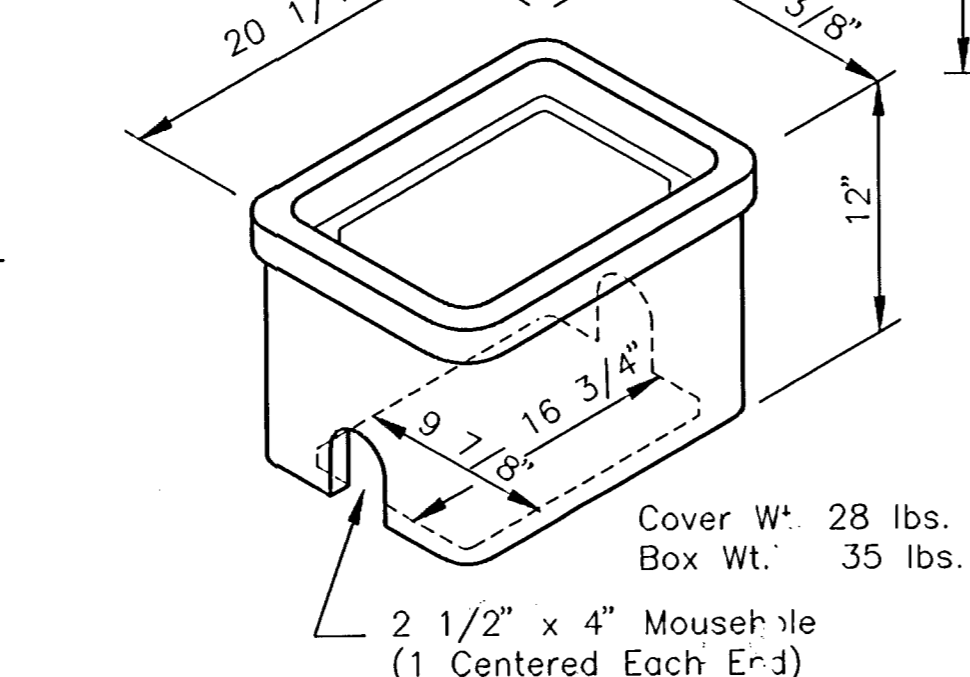
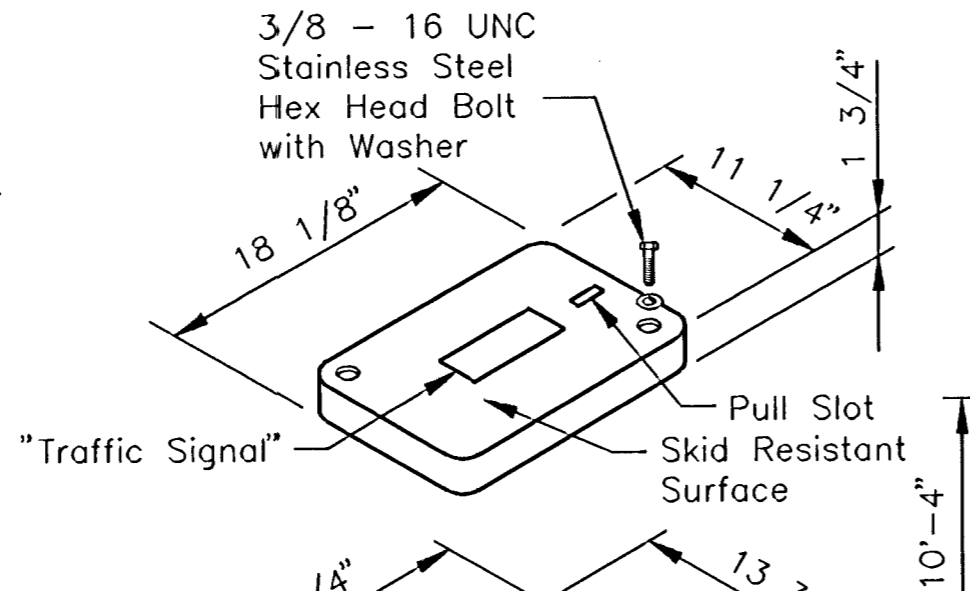
All traffic signal heads and brackets to be traffic yellow. Doors and visors of traffic signal heads to be black. Controller cabinet to be brushed aluminum.

All aluminum traffic signal pedestals shall have a polished finish on shaft and be delivered with a protective paper wrap. The paper wrap shall be removed after installation.

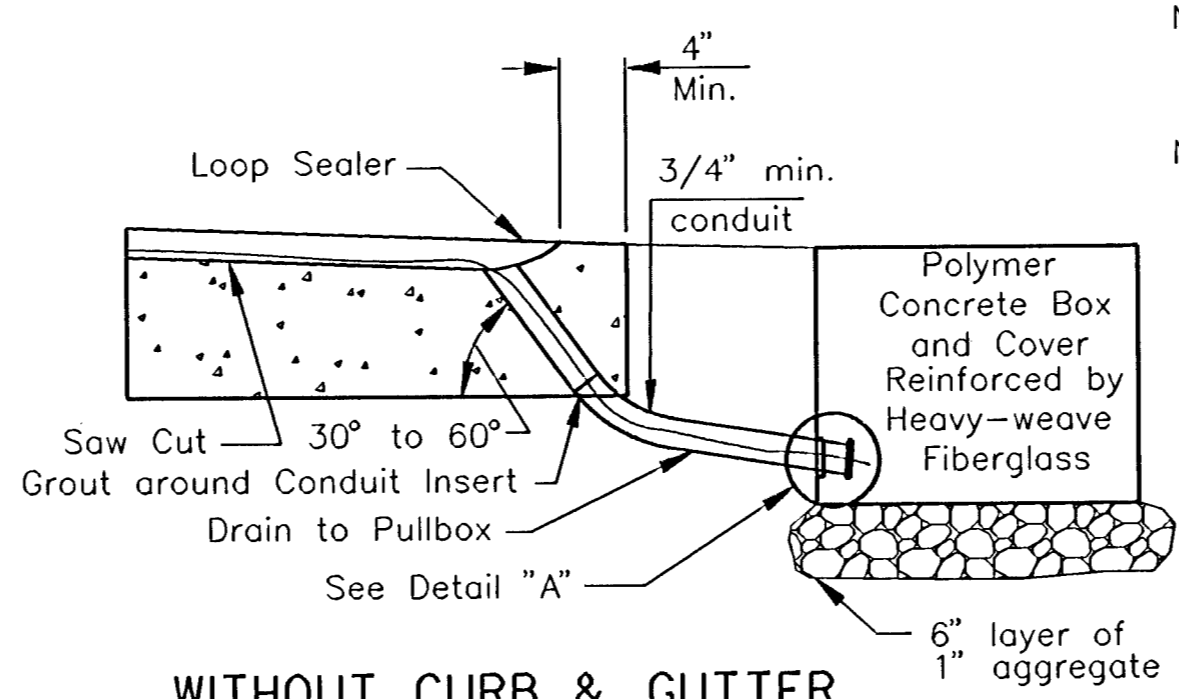
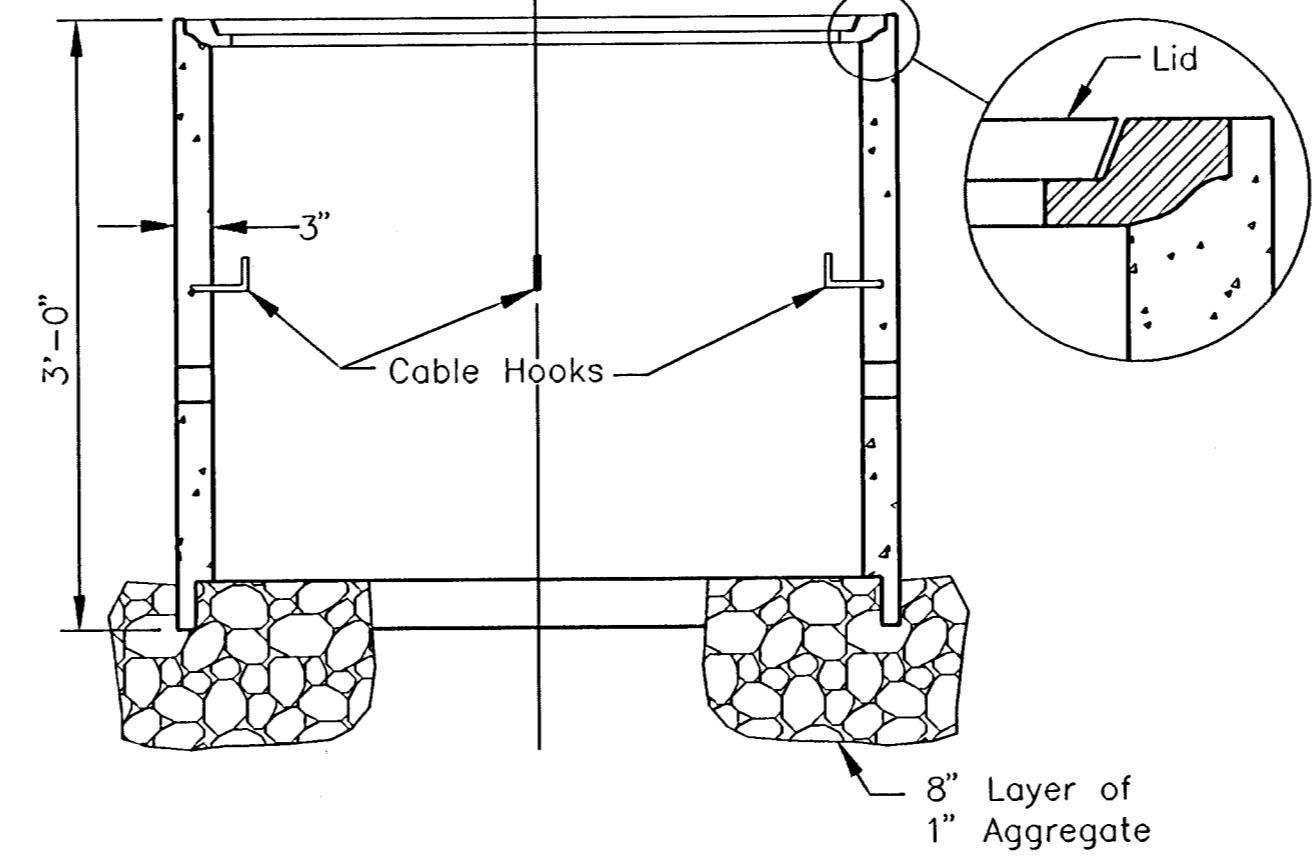
Wiring installed shall conform to the National Electrical Code and local ordinances and requirements.



TRENCH DETAIL

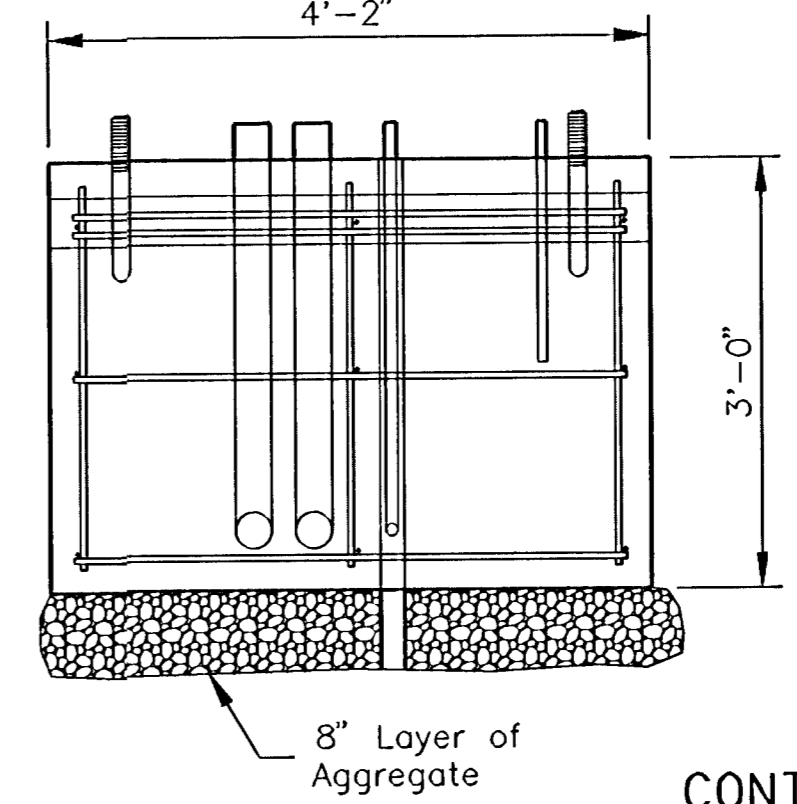
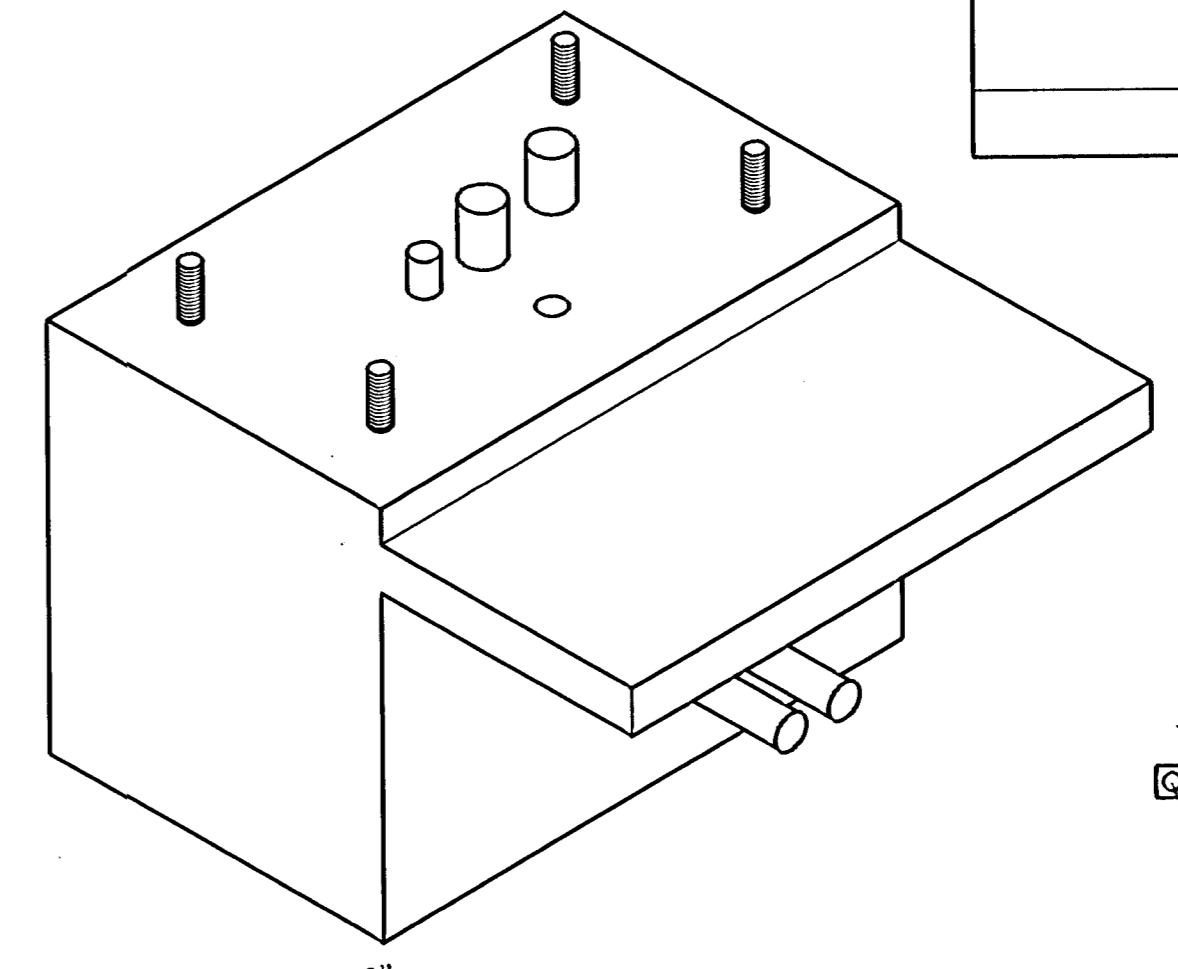


JUNCTION BOX DETAIL

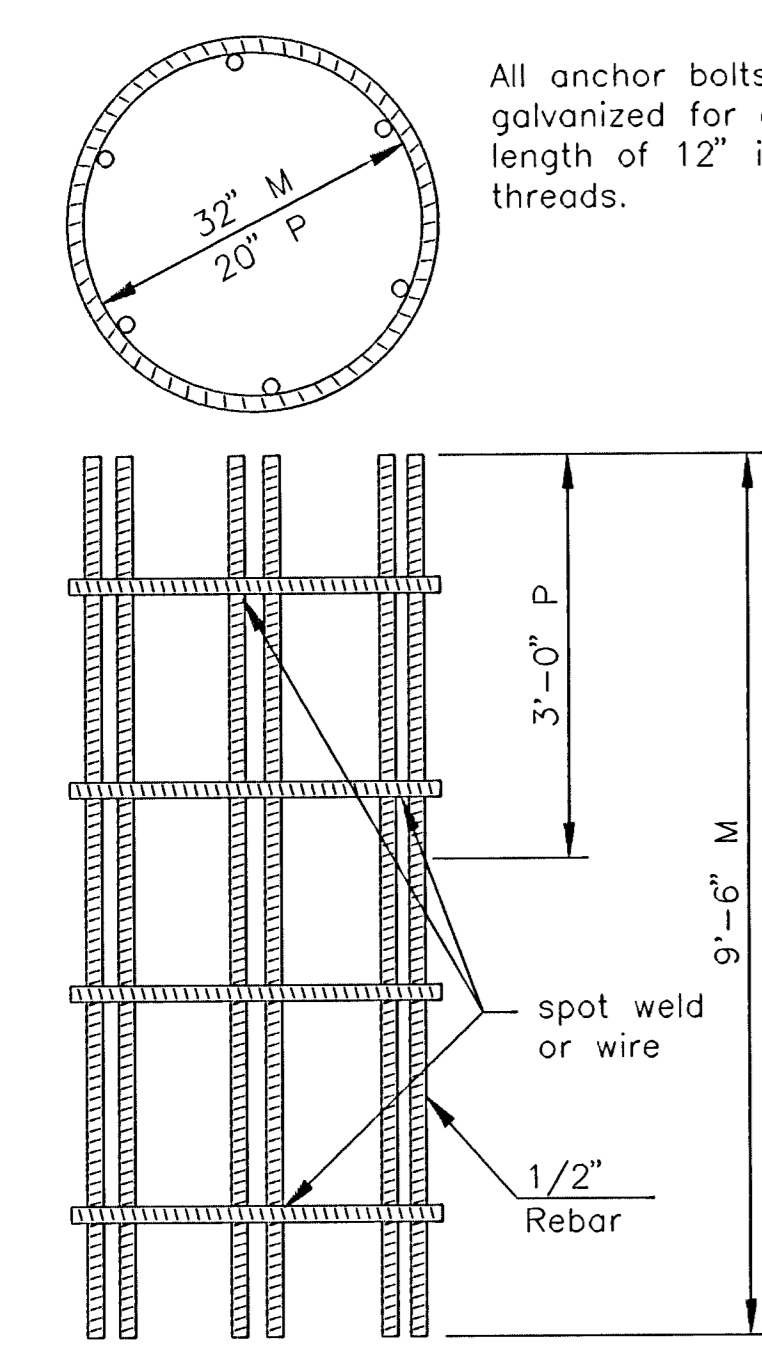
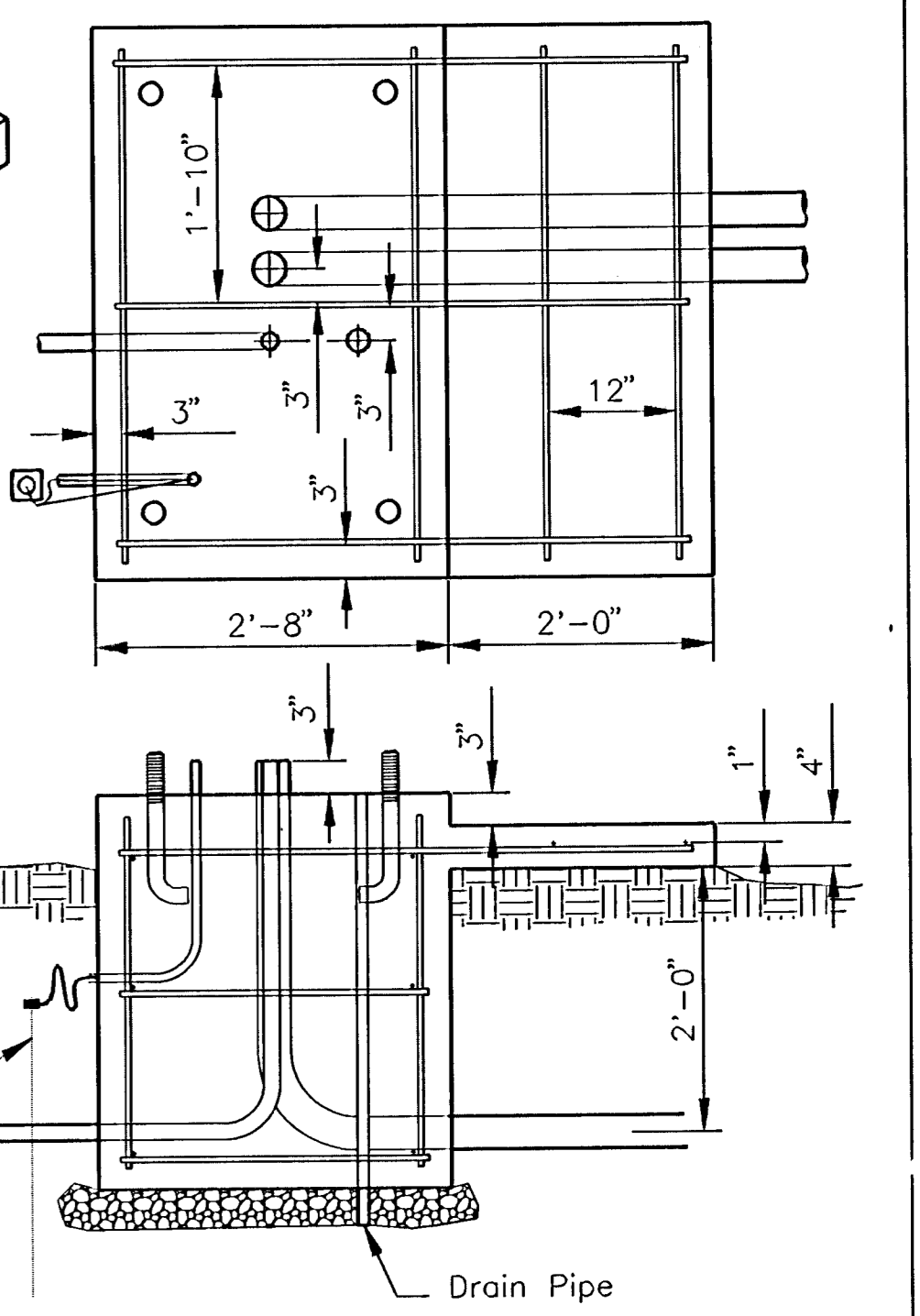


WITHOUT CURB & GUTTER

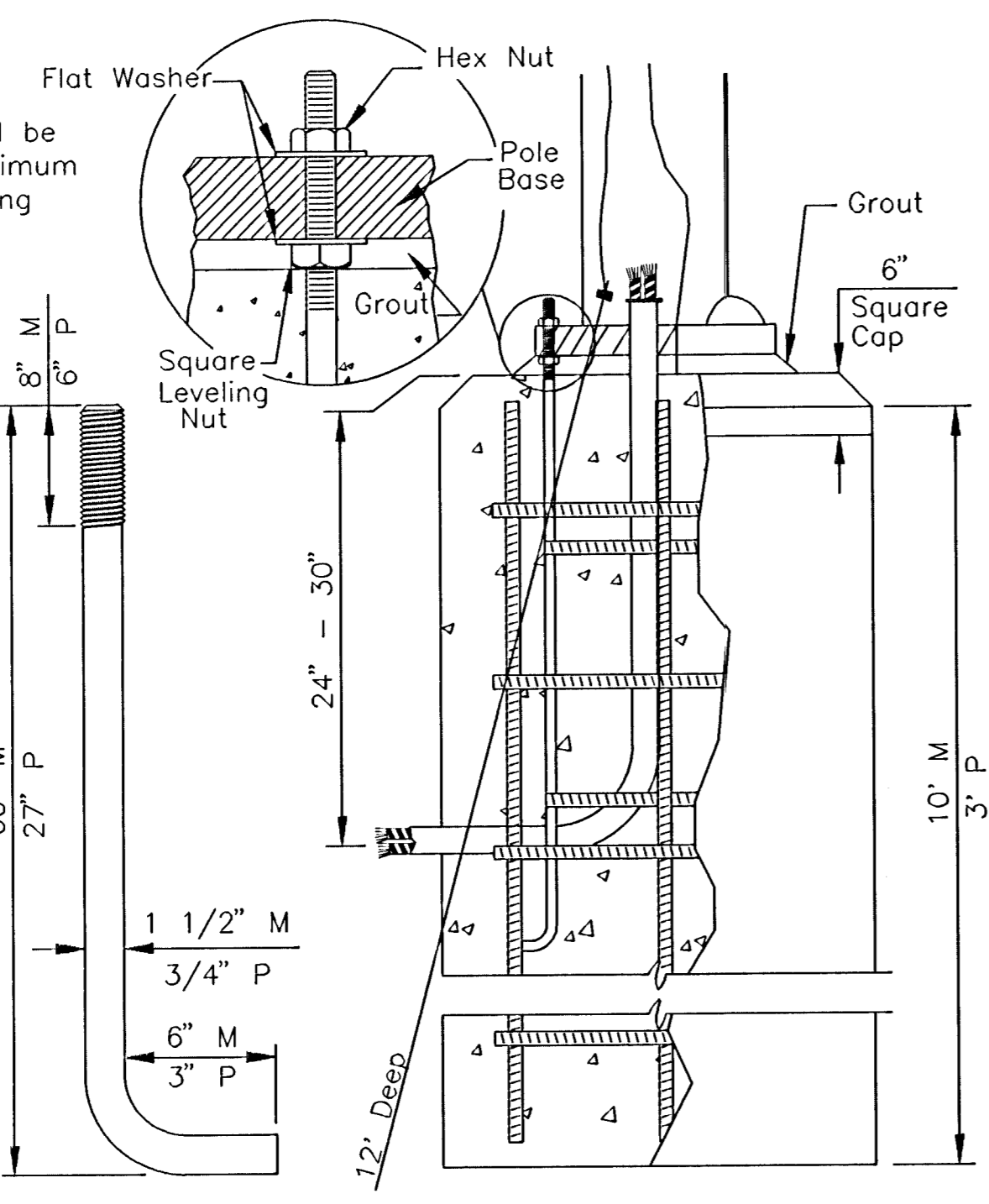
JUNCTION BOX INSTALLATION DETAILS



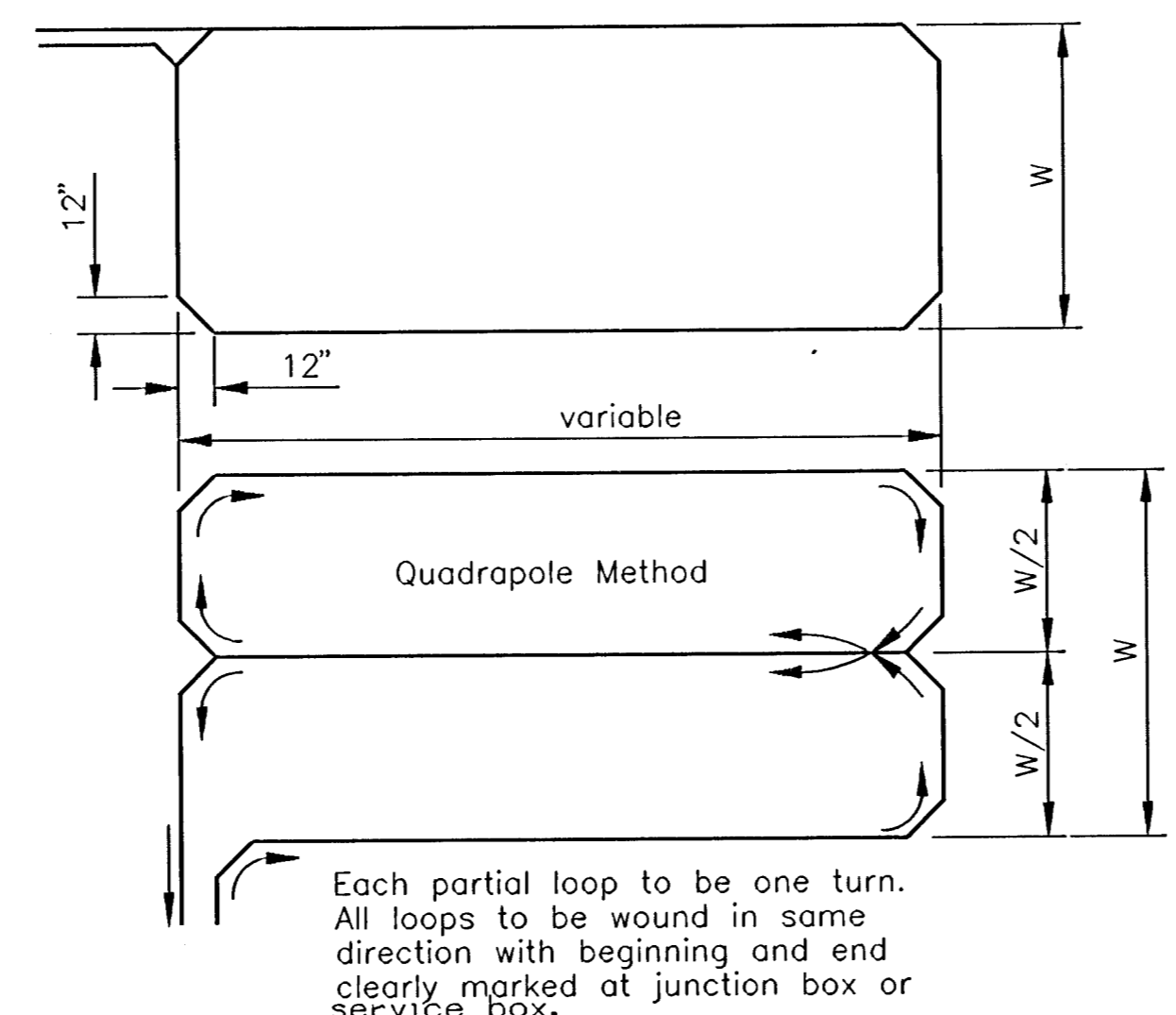
CONTROLLER PAD DETAIL



REBAR CAGE

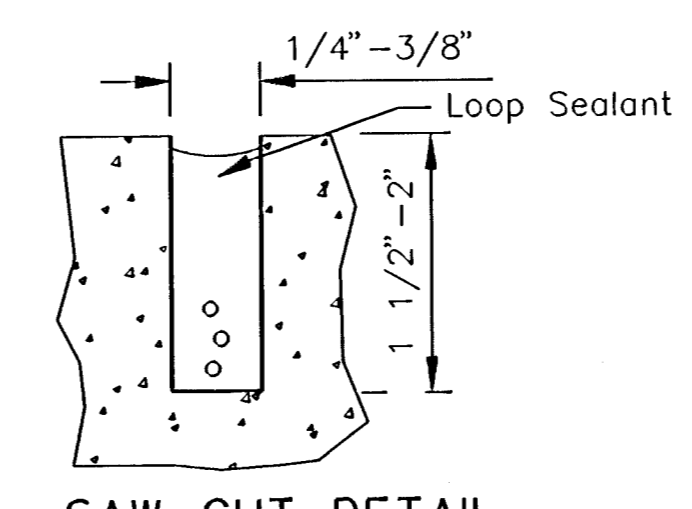


ANCHOR BOLT DETAIL



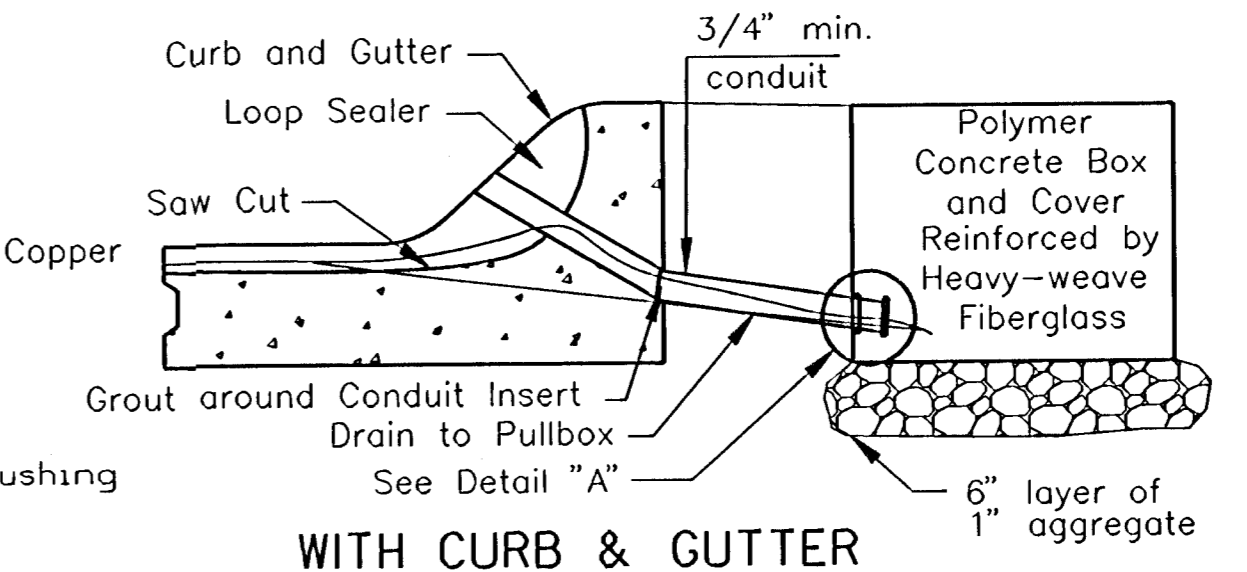
DETECTOR LOOP DETAILS

Each partial loop to be one turn. All loops to be wound in same direction with beginning and end clearly marked at junction box or service box.

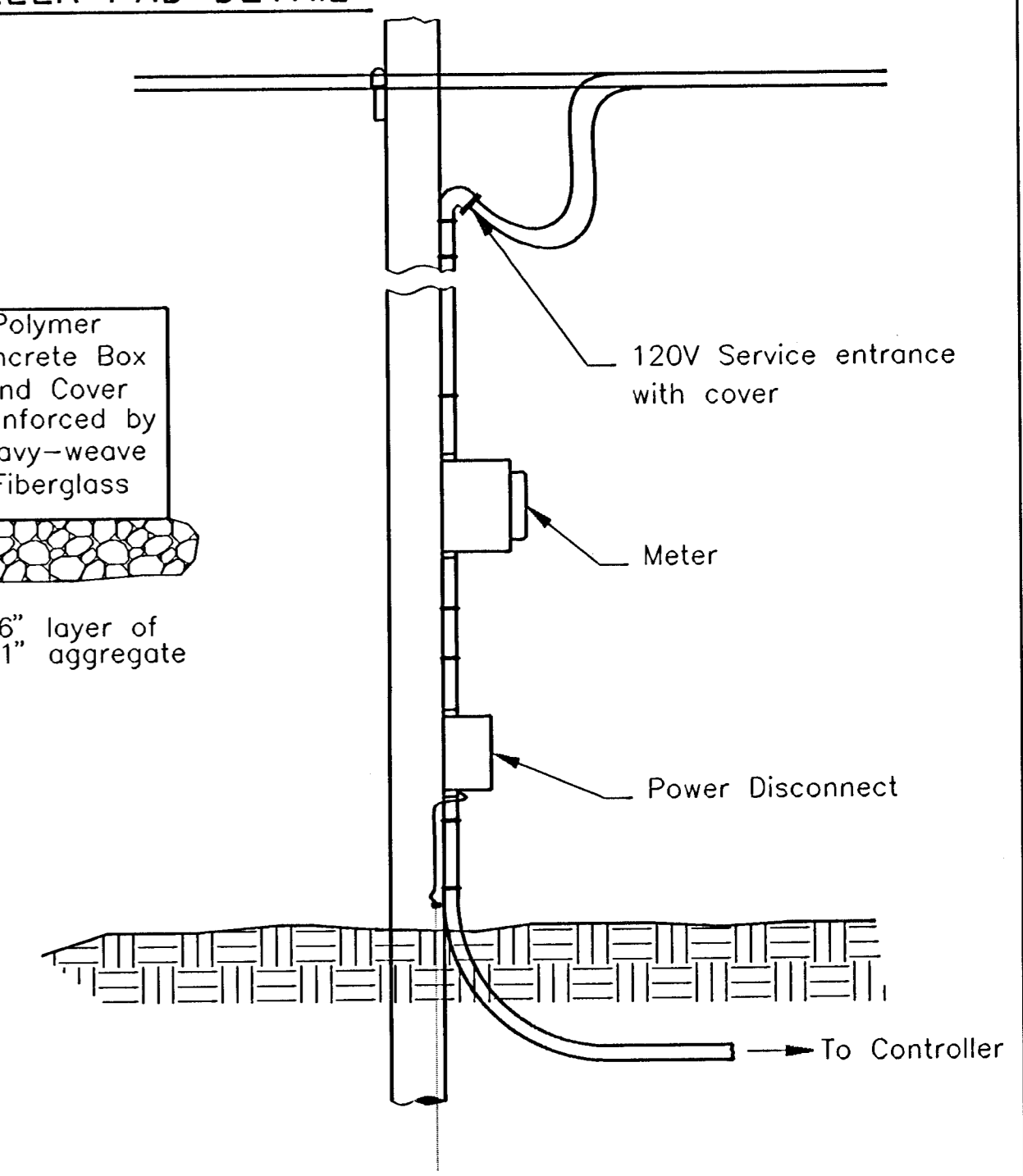


SAW CUT DETAIL

Saw cuts in pavement to be 1/4" to 3/8" wide and 1-1/2" to 2" deep. The saw cut filler and encapsulant shall be a one-part polyurethane compound requiring no mixing, measuring or applicator or heat prior to or during installation. Each saw cut shall be filled to within 1/8" of pavement surface. Loop wire and loop lead-in wire shall be continuous runs with no splices except for a "western union" type splice at their junction. The loop wire between the junction box and the loop shall be twisted 2-5 turns per foot.



JOINT DETAIL



TRAFFIC SIGNAL INSTALLATION DETAILS

T.S. No. 2.0

PREPARED BY
SEDGWICK COUNTY BUREAU OF PUBLIC SERVICES
HIGHWAY DIVISION

DIRECTOR/COUNTY ENGINEER

DAVID C. SPEARS, P.E.	DESIGNED	TRACED	CHECKED	SHEET NO.
REVISOR	SCALE	DATE	WDH	
PLANFILE 15-2-8-H-10-0		TOTAL SHEETS		

i:/1995/95297/002/sigatlis.dgn
Drawn by: [unclear]
Plotted by: mcf 7-25-97