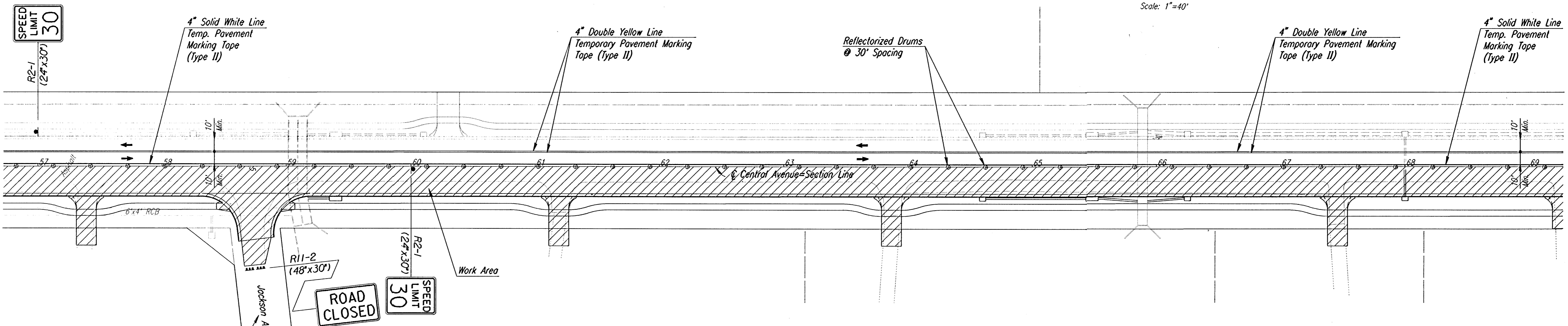


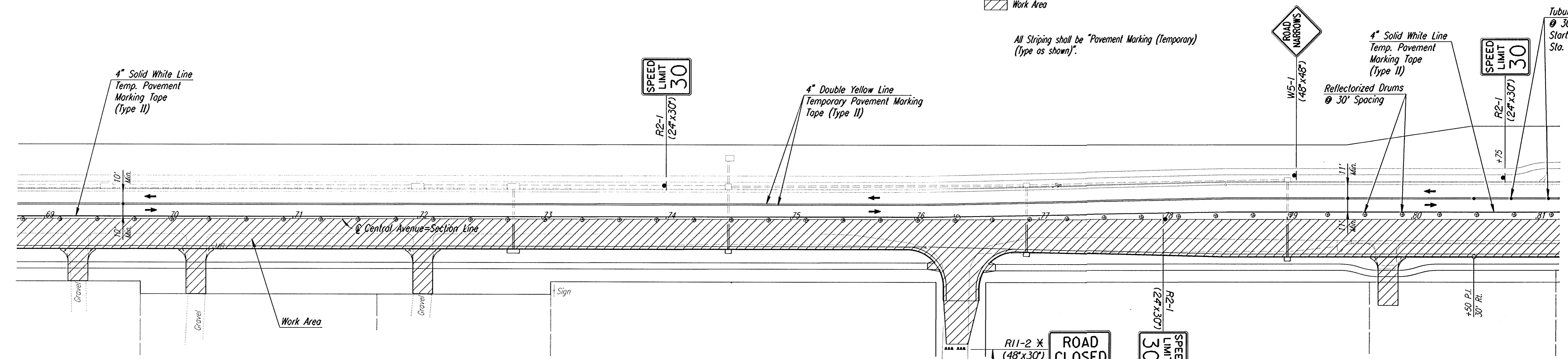
Scale: 1"=40'



Jackson Ave. to remain closed during Stage III See Stage I Detail Sh. No. 103

- LEGEND**
- Tubular Markers at 30' Spacing or Spacing as noted
 - ⊙ Reflectorized Drums at 30' Spacing or Spacing as noted
 - *** Type III Barricade with Type A Low Intensity Flashing Warning Lights.
 - * Sign to be mounted on Type III Barricade
 - ▨ Work Area

All Striping shall be "Pavement Marking (Temporary) (Type as shown)".



No.	Revisions	By	Date

SEDGWICK COUNTY BUREAU OF PUBLIC SERVICES

TRAFFIC CONTROL

STAGE IIIB

CENTRAL STA. 57+00 TO STA. 81+00

PROJECT NO. 618-34 SEDGWICK COUNTY

PROFESSIONAL ENGINEERING CONSULTANTS, P.A.

ENGINEERS
WICHITA, KANSAS

Designed by	WDH	Checked by	RPG
Drawn by	MAF	Date	JULY 1997
		Job No.	95297-2

i:\1995\95297\002\trcntrl\trcntrlst3c.dgn
Drawn by: maf
Plotted by: maf 7-29-97