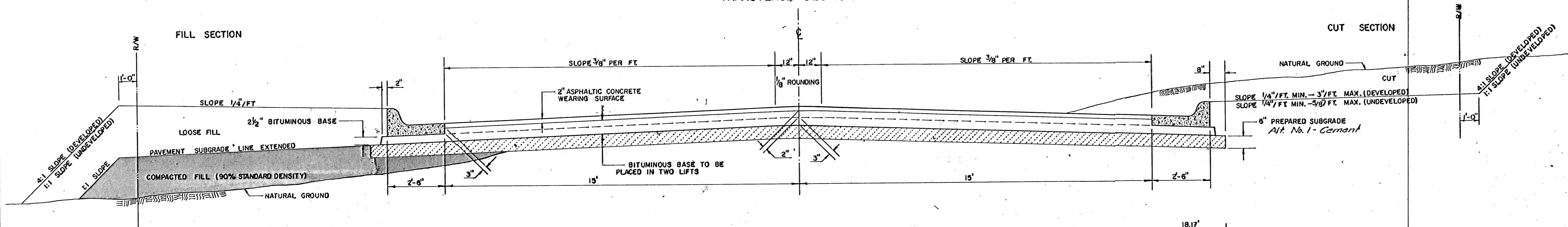


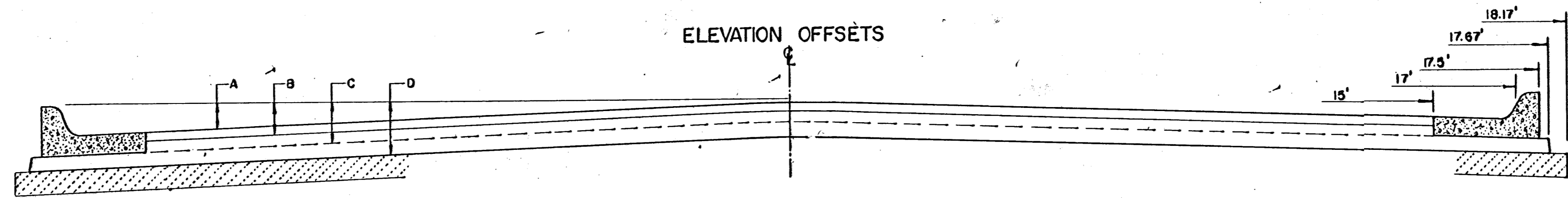
# TYPICAL 35' PAVEMENT DETAILS

## TRANSVERSE SECTION



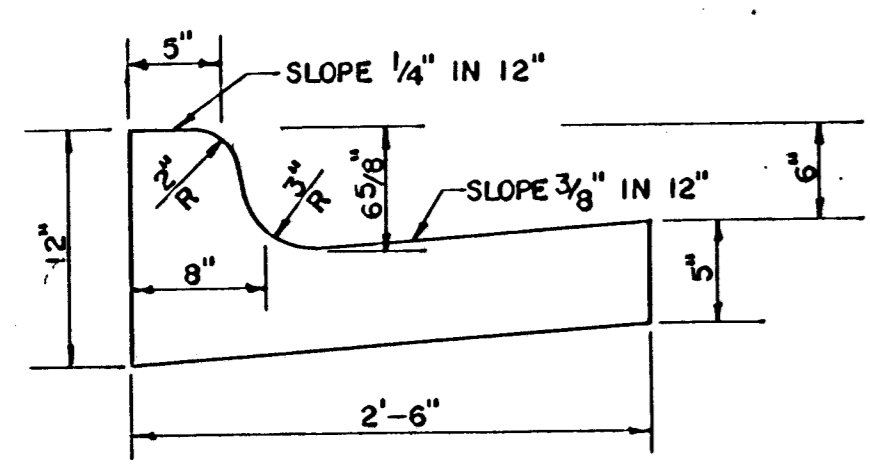
Note: See Sh. No. for Compacted Fill requirements under sidewalk.

## ELEVATION OFFSETS

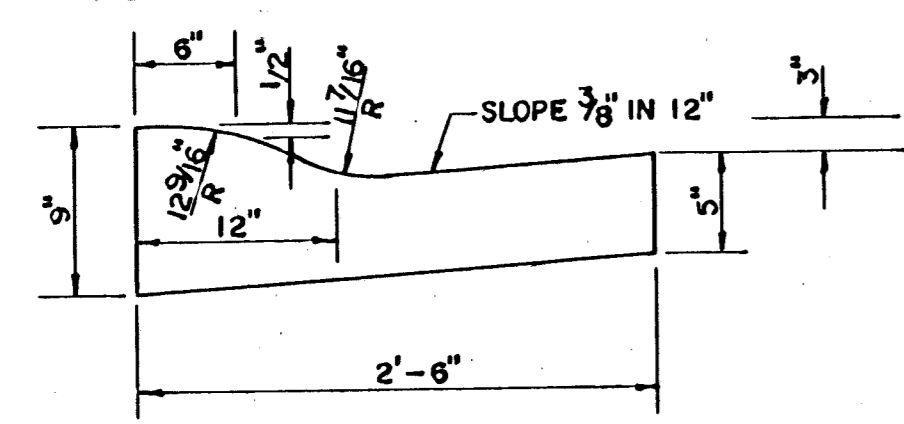


	DISTANCE FROM CENTERLINE (LT. & RT.)													
	0'	2'	4'	6'	8.5'	10'	12'	14'	15'	17'	17.5'	17.67'	18.17'	
A: TOP OF CURBS TO TOP OF SURFACE LIFT	0.04	0.08	0.14	0.21	0.29	0.33	0.39	0.46	0.49	—	—	—	—	
B: TOP OF CURBS TO TOP OF UPPER BASE LIFT	0.21	0.25	0.31	0.37	0.45	0.50	0.56	0.62	0.65	—	—	—	—	
C: TOP OF CURBS TO TOP OF LOWER BASE LIFT	0.37	0.43	0.50	0.57	0.67	0.72	0.79	0.87	0.90	0.98	1.00	1.00	—	
D: TOP OF CURBS TO TOP OF SUBGRADE	0.62	0.67	0.74	0.81	0.90	0.95	1.02	1.08	1.12	1.19	1.21	1.21	1.23	

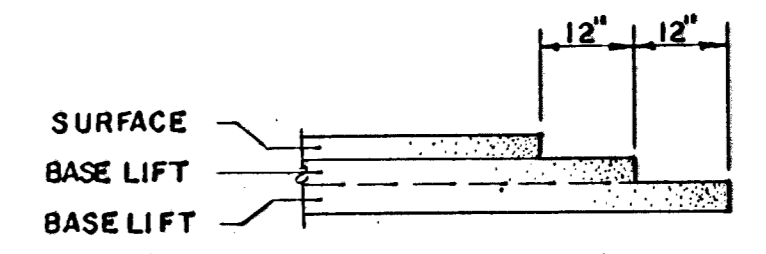
### COMBINED CURB & GUTTER



### ROLL TYPE COMBINED CURB & GUTTER



### TRANSVERSE CONSTRUCTION JOINTS



TRANSVERSE CONSTRUCTION JOINTS SHALL BE CONSTRUCTED IN FLEXIBLE BASE PAVEMENTS AT LOCATIONS WHERE PAVEMENT JOINS EXISTING FLEXIBLE BASE PAVEMENT AS SHOWN BY THE DETAIL. ALL COSTS ASSOCIATED WITH THE CONSTRUCTION OF THE TRANSVERSE JOINT SHALL BE INCLUDED IN THE BID PRICE FOR SQUARE YARDS 7" ASPHALTIC CONCRETE (5" BITUMINOUS BASE).

### GENERAL NOTES

- 1) THE ASPHALTIC CONCRETE PAVEMENT BETWEEN THE COMBINED CURB AND GUTTER SHALL BE PAID AS SQUARE YARDS OF 7" ASPHALTIC CONCRETE (5" BITUMINOUS BASE).
- 2) THE BITUMINOUS BASE UNDER AND BEHIND THE COMBINED CURB AND GUTTER SHALL BE PAID AS SQUARE YARDS OF 2 1/2" BITUMINOUS BASE.
- 3) A TACK COAT OF EMULSIFIED ASPHALT (SC-1H OR CSS-1H) SHALL BE APPLIED AT AN APPROXIMATE RATE OF 0.05 GALLONS PER SQUARE YARD BETWEEN EACH LIFT OF ASPHALTIC MATERIAL.
- 4) BITUMINOUS BASE AND ASPHALTIC CONCRETE WEARING SURFACE SHALL BE PLACED WITH A LAYDOWN MACHINE HAVING AUTOMATIC CONTROLS FOR LINE AND GRADE.
- 5) CONSTRUCTION JOINTS IN EACH LIFT SHALL BE STAGGERED A MINIMUM DISTANCE OF ONE (1) FOOT FROM JOINTS IN PRECEDING LIFTS AND PLACED SO THAT A JOINT WILL BE CONSTRUCTED ON THE CENTERLINE OF THE TOP LIFT.
- 6) ~~CONTRACTOR TO BID ONLY ONE SUBGRADE TREATMENT ALTERNATE WHEN ALTERNATES ARE PROVIDED IN THE PROPOSAL AND CONTRACT. THE ALTERNATE CHOSEN BY THE SUCCESSFUL BIDDER SHALL BE USED IN CONSTRUCTING THIS PROJECT.~~

### BASE BID - ALTERNATE 2

7 INCH RESIDENTIAL ASPHALTIC CONCRETE PAVEMENT WITH 5 INCH BITUMINOUS BASE  
CITY OF WICHITA, KANSAS  
PROJECT NUMBER  
472 76 245 82323 000 000 001