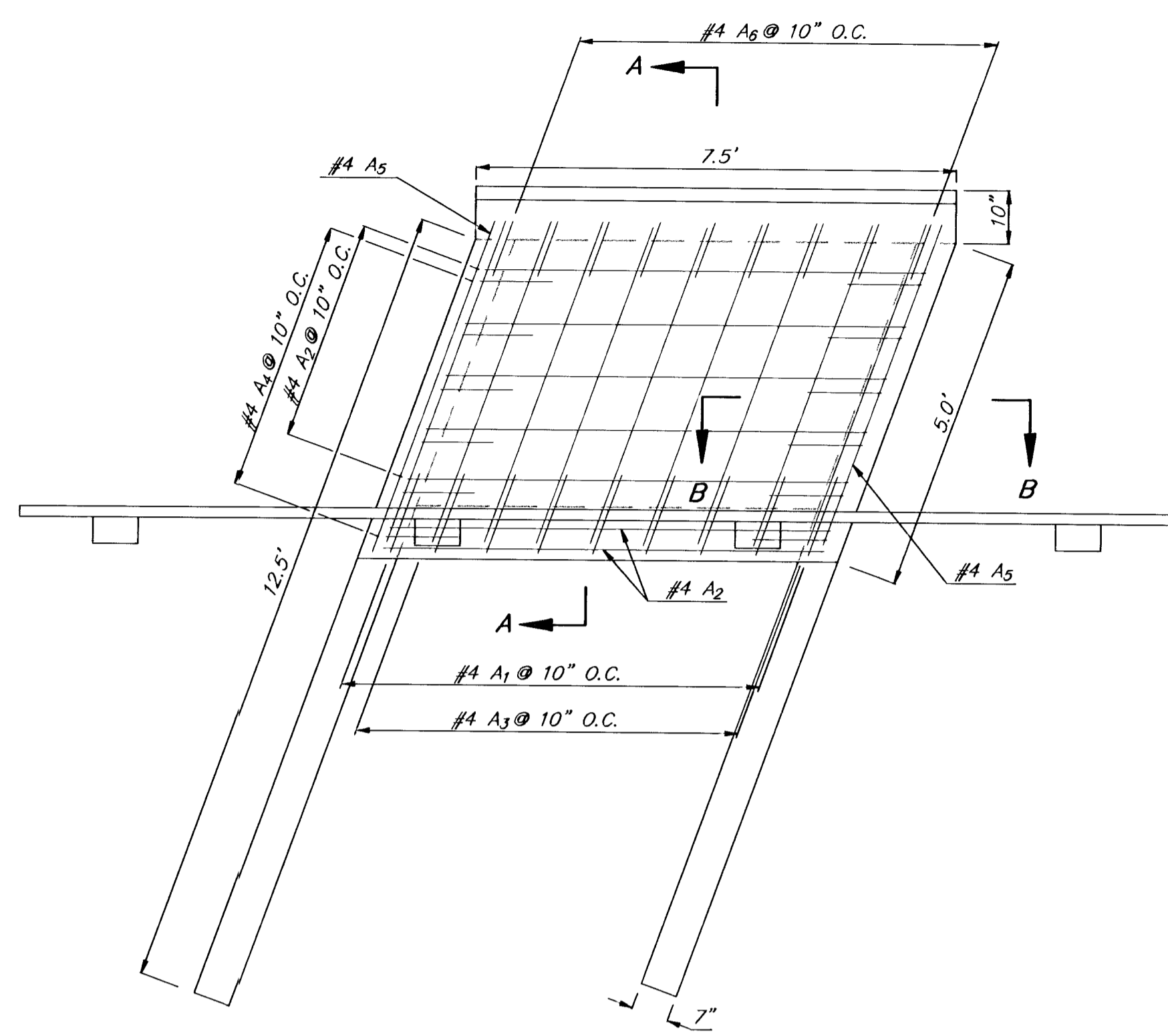
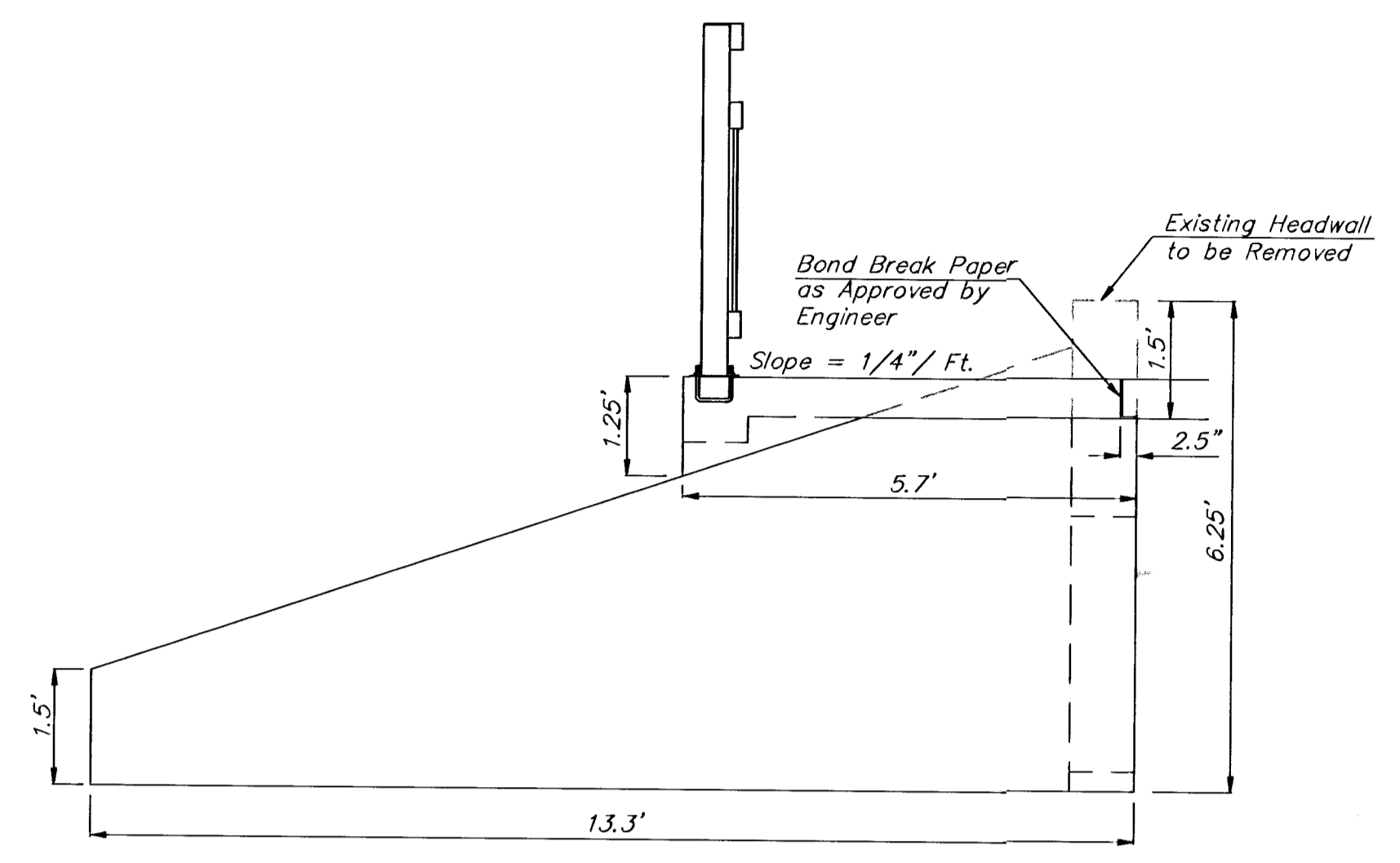


FHWA REGION NO.	STATE	PROJECT NO.	FISCAL YEAR	SHEET NO.	TOTAL SHEETS
7	KANSAS	87TE-0040-01	1997	16	33



PLAN VIEW

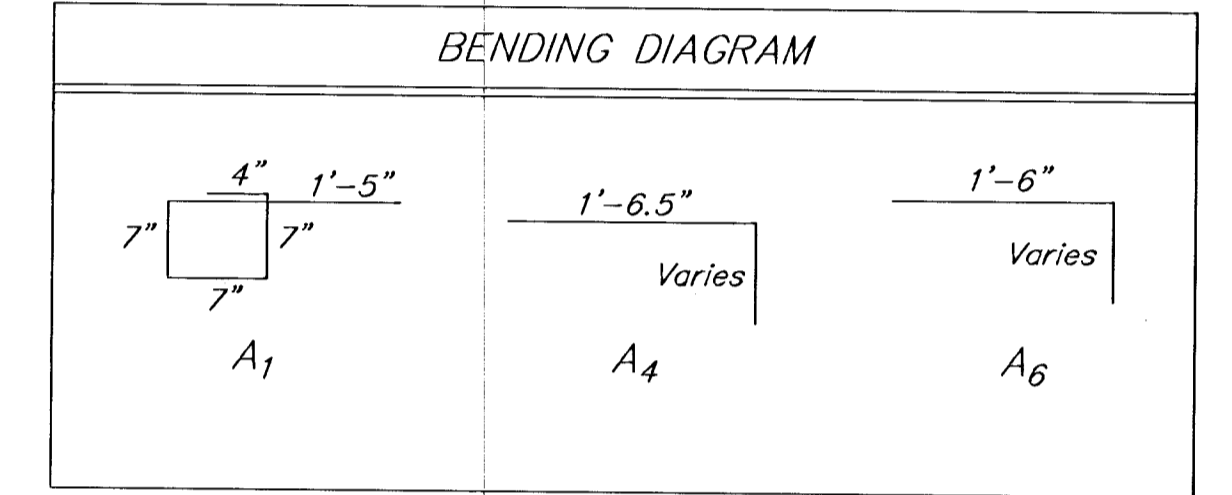


HEADWALL ELEVATION

REINFORCING STEEL (GR 60)
 Note: Quantities are for Information Only. Items Shall be Included in Lump Sum Bid Item "Project Drainage."

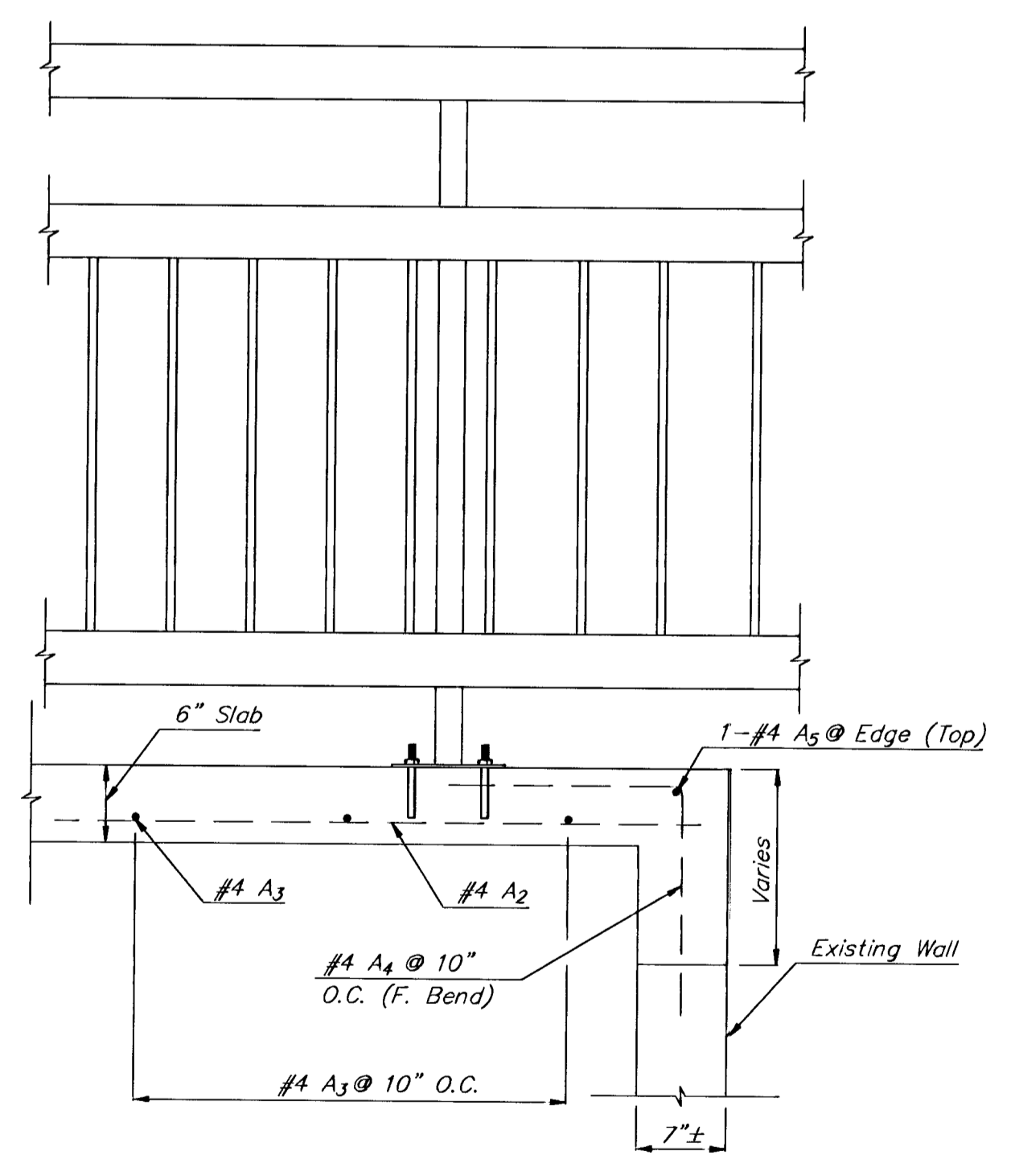
Mark	No.	Size	Length	Shape
A ₁	9	4	3'-6"	*
A ₂	9	4	7'-2"	
A ₃	9	4	5'-2"	
A ₄	14	4	Varies	*
A ₅	2	4	5'-2"	
A ₆	9	4	Varies	*

* See Bending Diagram

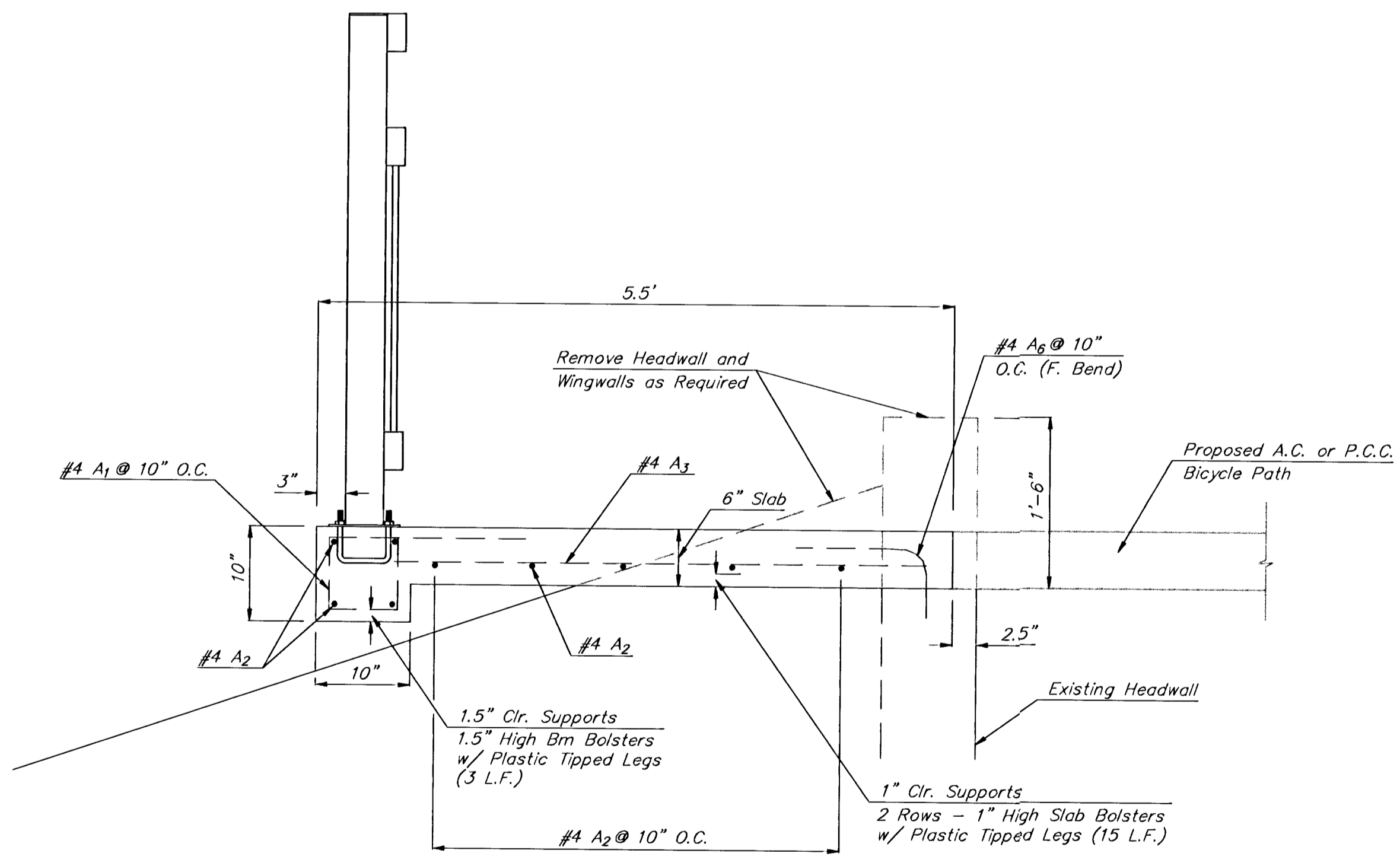


QUANTITIES
 Note: Quantities are for Information Only. Items Shall be Included in Lump Sum Bid Item "Project Drainage."

Class A Concrete	1 C.Y.
Reinforcing Steel	140 Lbs.



SECTION B-B



SECTION A-A

GENERAL NOTES

- All dimensions are ± and shall be field verified.
- Slab design live load - 150 p.s.f.
- Class A Concrete (AE) - 4000 p.s.i. @ 28 days.
- Rebar - A615, #4, Gr. 60
- Chamfer exposed edges 3/4" (Verify).
- Use approved bonding agent @ all surfaces new to existing.
- All rebar embedded in existing structure shall use Hilti Hit C-100 system (or approved equal) with 4-1/2" embedment into existing concrete.

**GYPSUM CREEK BICYCLE PATH
 HEADWALL DETAIL
 Sta. 79+38**

BAUGHMAN COMPANY P. A.
 ENGINEERING & SURVEYING
 316/262-7271 • 315 ELLIS • WICHITA, KANSAS 67211

DESIGNED BY J.J.	CHECKED BY
DRAWN BY D.M.V.	DATE 4-19-94
JOB NO. 472-82573	FILENAME GYP\HEADWALL