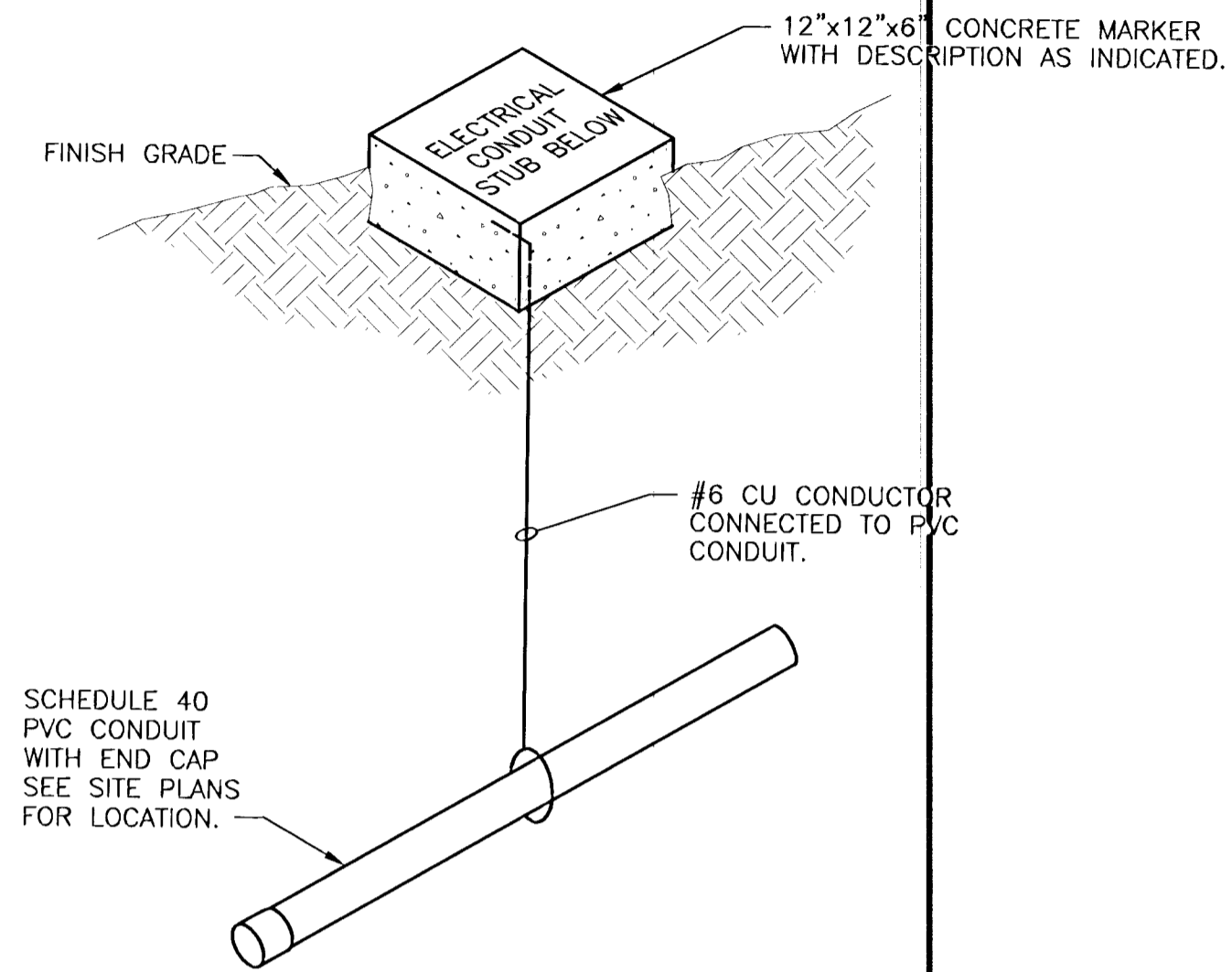
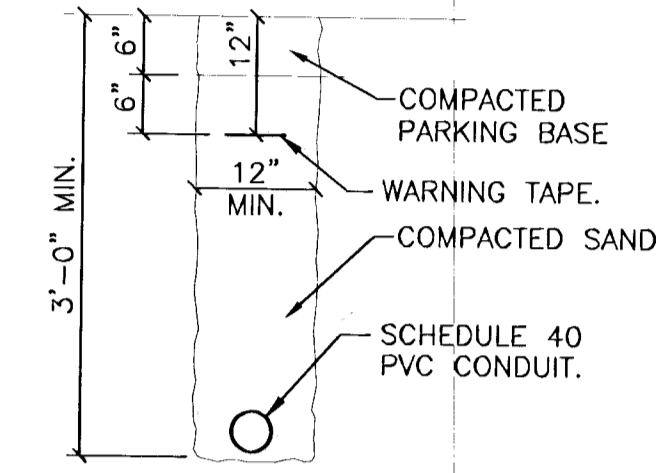


A POLE BASE DETAIL
SCALE: NONE



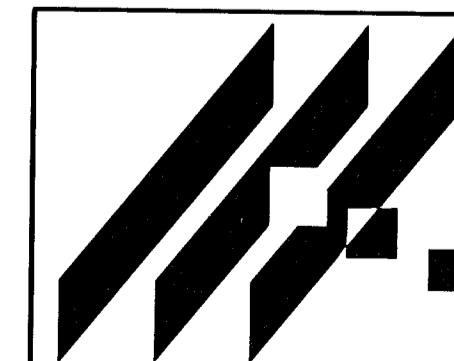
B CONDUIT MARKER DETAIL
SCALE: NONE



- NOTES:
1. CONDUIT TO BE LAID STRAIGHT BOTH VERTICALLY AND HORIZONTALLY.
 2. PROVIDE PULL ROPE IN CONDUIT.

C CONDUIT TRENCH SECTION
SCALE: NONE

G:\CIVIL\98026\PAVE\PHASE3\98026ED4



MID-KANSAS ENGINEERING
CONSULTANTS, INC.
411 N. WEBB ROAD
WICHITA, KS. 67206
316-684-9600

NORTHEAST BASEBALL/SOCCER COMPLEX
PROJECT NAME

PAVING DETAILS
SHEET TITLE

GJA DESIGN BY:	DAC/RKH DRAWN BY:	GJA CHECKED BY:
AUGUST 1999 DATE	98026 JOB NO.	7 / 7 SHEET/OF

21-40-10-01