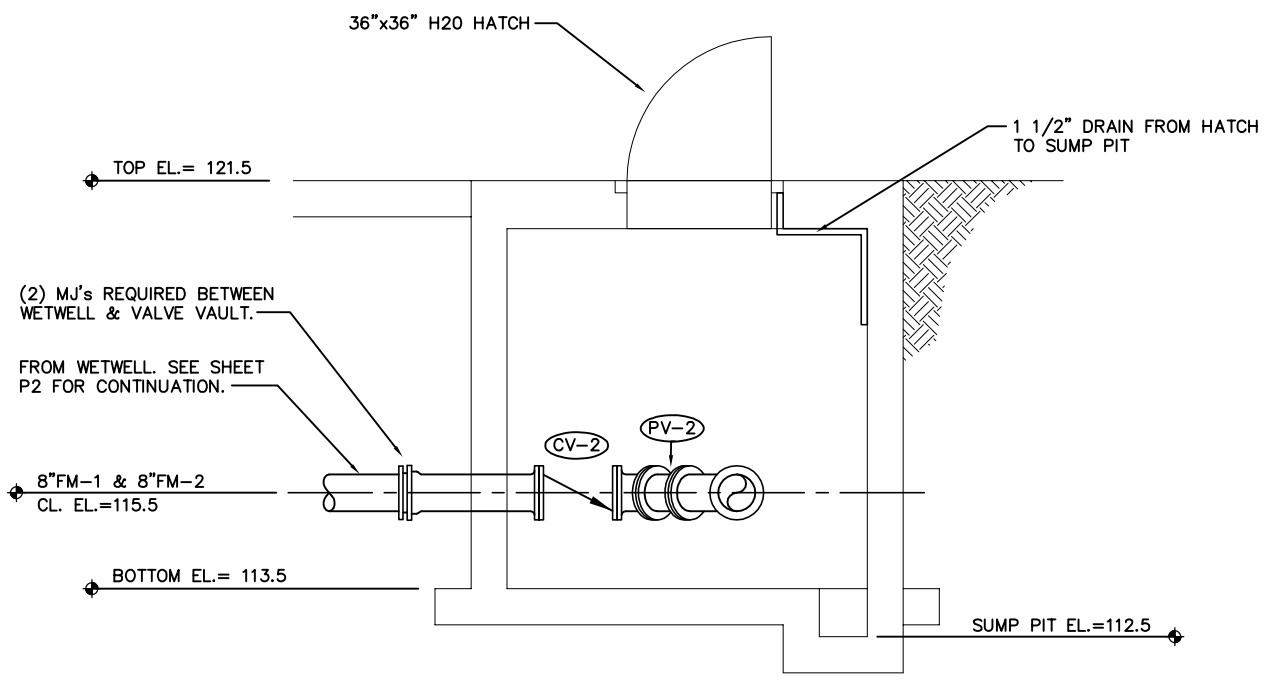
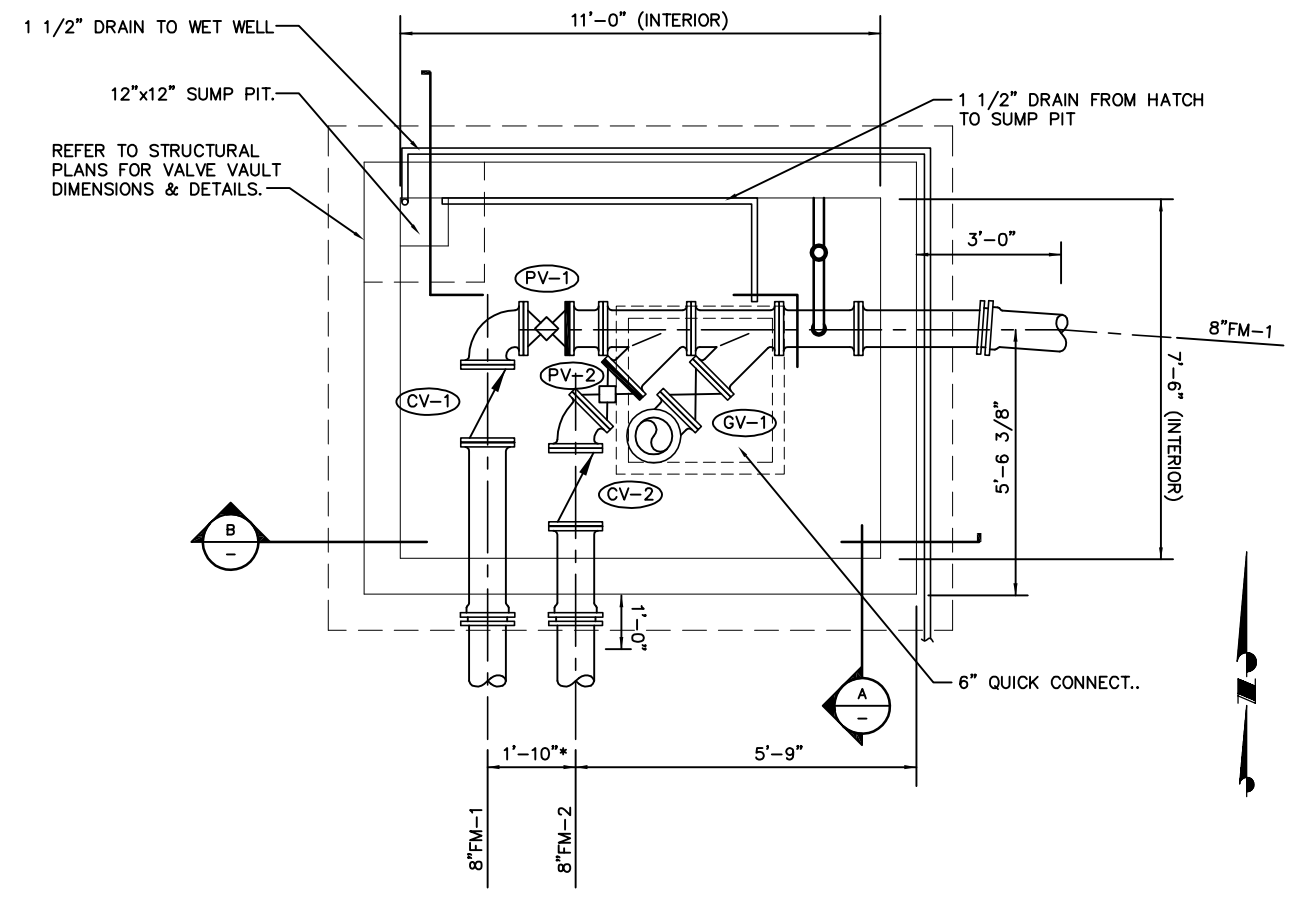


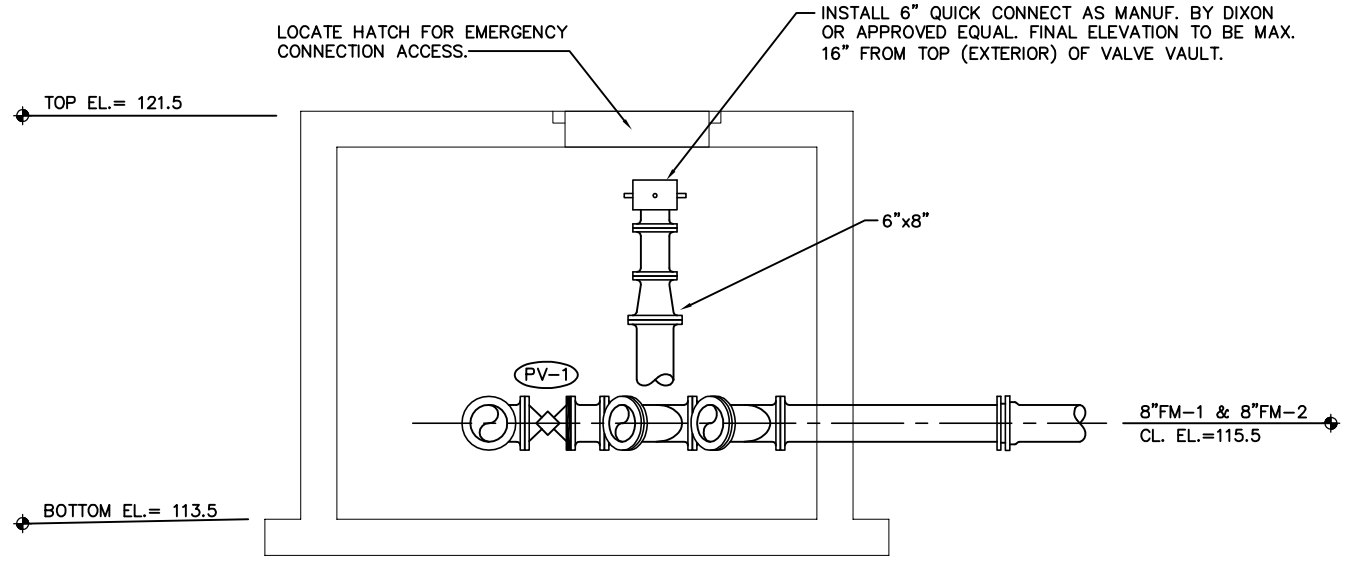
18 17 16 15 14 13 12 11 10 9 8 7 6 5 4 3 2 1



SECTION A
SCALE IN FEET



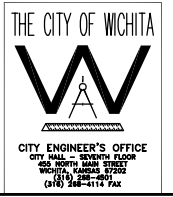
PLAN VIEW C
SCALE IN FEET



SECTION B
SCALE IN FEET

SUPPORT PIPING WITH CONCRETE SADDLES AS NECESSARY TO ALLOW SUPPORT DURING VALVE CHANGEOUT AND MAINTENANCE.

CONFORMING TO
CONSTRUCTION RECORDS
4/20/07



NO.	BY	DATE	DESCRIPTION
0	DLM	10/17/05	ISSUE FOR CONSTRUCTION
	MJV	4/26/07	CONFORMING TO CONSTRUCTION RECORDS CHANGED PIPING, & ADDED ACCESS HATCH DRAIN & TRAP.



CITY OF WICHITA, KANSAS
15th STREET PUMP STATION
AND FORCE MAIN

VALVE VAULT PIPING PLAN
& SECTIONS

DESIGNED BY	DLM	CHECKED BY	DLM
DRAWN BY	MJV	BDM	DATE
PROJECT	0301030310	CONTRACT	—
DRAWING	P3	REVISION	0

FILE: S:\ENVR\03310\SWG-Piping\03310_P3_VV_PIPING.dwg 11/01/2005 01:41:57 PM CST