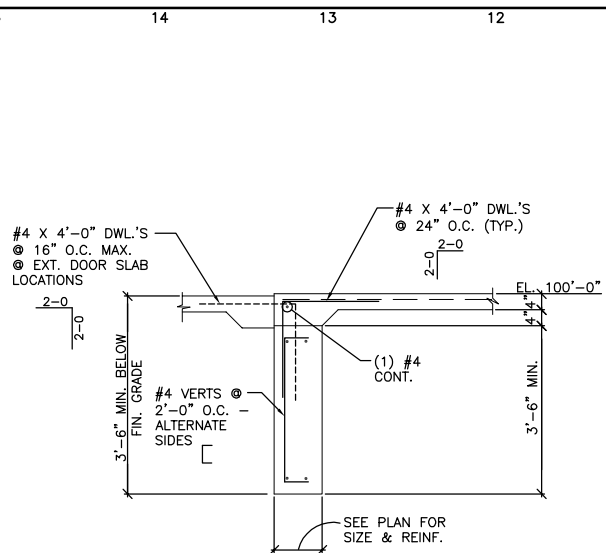
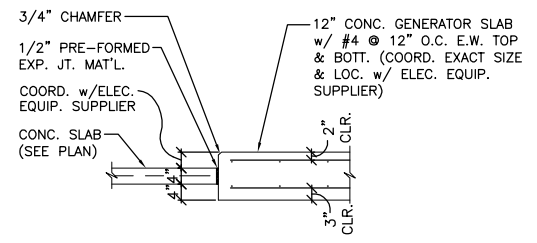


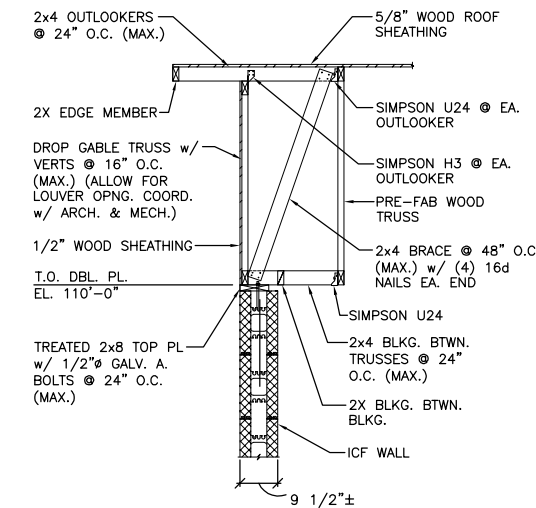
**A SECTION @ FNDN.**  
S2 1/2" = 1'-0"



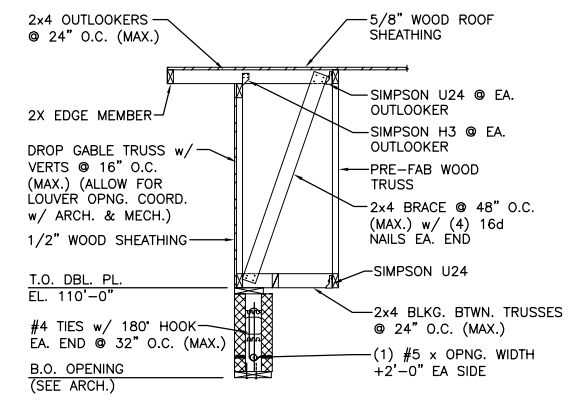
**B SECTION @ FNDN.**  
S2 1/2" = 1'-0"



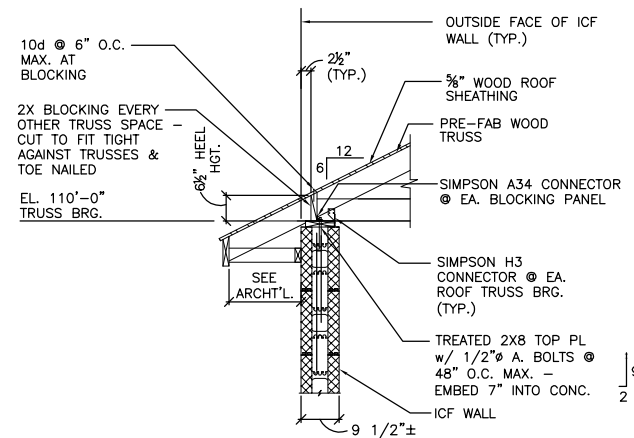
**C SECTION @ FNDN.**  
S2 1/2" = 1'-0"



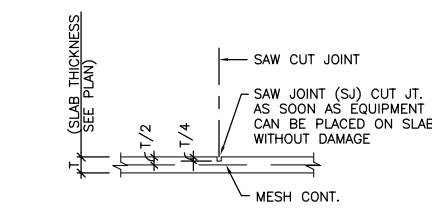
**D SECTION @ ROOF**  
S2 1/2" = 1'-0"



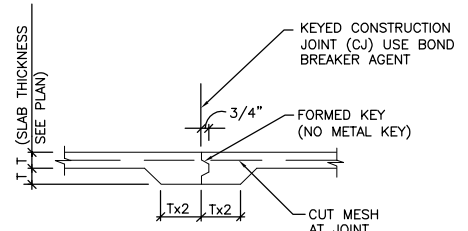
**E SECTION @ ROOF**  
S2 1/2" = 1'-0"



**F SECTION @ ROOF**  
S2 1/2" = 1'-0"



**1 TYP. SAW CUT JT.**  
S2 1/2" = 1'-0"



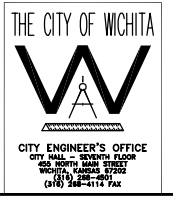
**2 TYP. KEYED CONST. JT.**  
S2 1/2" = 1'-0"  
(MAY BE USED IN LIEU OF SAW CUT JOINT)

NO.	BY	DATE	DESCRIPTION
0	DLM	10/17/05	ISSUE FOR CONSTRUCTION
	MJV	4/26/07	CONFORMING TO CONSTRUCTION RECORDS DELETED AIR RELEASE VAULT, ADDED 1'-0" TO EAST SIDE OF VALVE VAULT.



**CITY OF WICHITA, KANSAS**  
**15th STREET PUMP STATION AND FORCE MAIN**  
**GENERATOR BLDG. SECTIONS & DETAILS**

**CONFORMING TO CONSTRUCTION RECORDS 4/20/07**



DESIGNED BY	AR	CHECKED BY	AR
DRAWN BY	JMC	DATE	JUNE, 2005
PROJECT	0301030310	CONTRACT	-
DRAWING	S2	REVISION	- 0