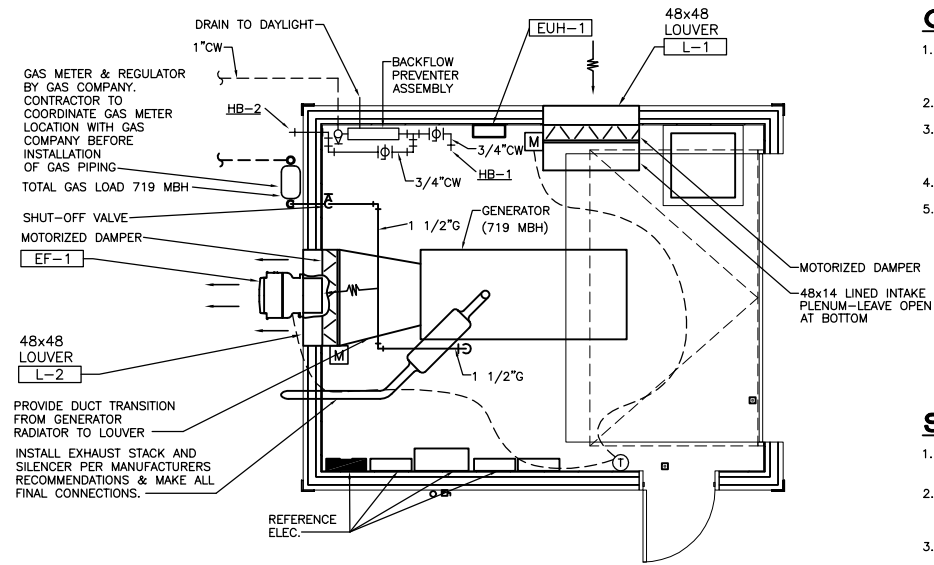


NOTE:
GAS PIPE SIZES BASED ON 2000 UNIFORM PLUMBING CODE
TABLE 12-3 FOR PRESSURES UNDER 1 POUND WITH PRESSURE DROP OF
0.5" WC AND 0.6 SPECIFIC GRAVITY. 719 MBH/TOTAL @ 28FT TDL WITH
30% FOR FITTINGS.



PLAN VIEW

GENERAL NOTES:

1. CONTRACTOR SHALL FIELD VERIFY EXISTING CONDITIONS PRIOR TO ORDERING EQUIPMENT, FABRICATION OF MATERIALS, OR STARTING WORK.
2. ALL DUCT SIZES INDICATED ARE INSIDE CLEAR DIMENSIONS.
3. COORDINATE ROUTING OF NEW DUCTWORK WITH ALL OTHER DISCIPLINES INCLUDING ARCHITECTURAL, STRUCTURAL, FIRE SPRINKLER, ELECTRICAL AND PLUMBING.
4. HOSE BIBB HB-1 SHALL BE WOODFORD MODEL Y26 OR EQUAL.
5. HOSE BIBB HB-2 SHALL BE WOODFORD MODEL 65 FREEZEPROOF OR EQUAL.

SEQUENCE OF OPERATION:

1. ELECTRIC HEATER EUH-1 SHALL CYCLE HEATING OPERATION TO MAINTAIN SETPOINT ADJUSTED AT INTEGRAL THERMOSTAT.
2. EF-1 SHALL OPERATE ON A CALL FOR COOLING BY REMOTE MOUNTED THERMOSTAT. INTERLOCK DAMPER AT INTAKE LOUVER L-1 TO OPEN WHEN EF-1 OPERATES.
3. INTERLOCK LOUVER L-1 DAMPER AND LOUVER L-2 DAMPER TO OPEN WHEN EMERGENCY GENERATOR OPERATES.

FAN SCHEDULE															
MARK	MANUFACTURER	MODEL	LOCATION	AIRFLOW (CFM)	ESP (IN)	FAN DATA			MOTOR DATA			CONTROL TYPE	WEIGHT (LBS)	REMARKS	
						TYPE	RPM	MAX. SONES	TYPE	HP(WATTS)	VOLTS				PHASE
EF-1	GREENHECK	CBW-101	WALL	680	0.3	CENT. SIDEWALL	1031	7.0	BELT	1/4	115	1	C	60	1,3,4

REMARKS:
1. ALL BELT DRIVE FAN SELECTIONS SHALL INCLUDE DRIVE LOSSES
2. ALL DIRECT DRIVE MOTORS TO BE PROVIDED WITH SPEED CONTROLLERS
3. ALL SWITCHES, INTERLOCKS, RELAYS, TRANSFORMERS, TIMECLOCKS, ETC. SHALL BE FURNISHED AND INSTALLED BY THE ELECTRICAL CONTRACTOR. SEE ELECTRICAL PLANS.
4. ALL FANS SHALL INCLUDE THE FOLLOWING ACCESSORIES: BIRD SCREEN, FACTORY DISCONNECTS, BACKDRAFT DAMPER.

CONTROL TYPES:
A. SWITCH W/ LIGHTS
B. WALL SWITCH
C. THERMOSTAT
D. CONTINUOUS
E. SWITCH W/HOOD

LOUVER SCHEDULE							
MARK	MANUFACTURER	MODEL	WIDTH	HEIGHT	MATERIAL	FINISH	REMARKS
L-1	GREENHECK	ESD-403	48"	48"	ALUMINUM	MILL	1,2
L-2	GREENHECK	ESD-403	48"	48"	ALUMINUM	MILL	1,2

REMARKS:
1. PROVIDE OPTIONAL FLANGE AND BIRDSCREEN.
2. PROVIDE MOTORIZED DAMPER.
3. PROVIDE DISPOSABLE FILTER RACK.

ELECTRIC HEATER SCHEDULE											
MARK	MANUFACTURER	SERIES	MODEL	TYPE	LOCATION	HEATING (BTU)	ELECTRICAL DATA				REMARKS
							VOLTS	PHASE	KW	AMPS	
EUH-1	Q-MARK	AWH	4408	WALL	N. WALL	6,800	208	1	2.0	10.0	1,3

1. PROVIDE HEATER WITH AWH-SM SURFACE MOUNTING FRAME.
2. PROVIDE HEATER WITH LFK-SM SURFACE MOUNTING FRAME.
3. PROVIDE UNITS WITH INTEGRAL THERMOSTAT AND BUILT-IN DISCONNECT.

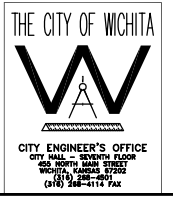
NO.	BY	DATE	DESCRIPTION
0	DLM	10/17/05	ISSUE FOR CONSTRUCTION
	MJV	4/26/07	CONFORMING TO CONSTRUCTION RECORDS DELETED AIR RELEASE VAULT, ADDED 1'-0" TO EAST SIDE OF VALVE VAULT.



CITY OF WICHITA, KANSAS
15th STREET PUMP STATION AND FORCE MAIN

MECHANICAL PLAN

CONFORMING TO
CONSTRUCTION RECORDS
4/20/07



DESIGNED BY	RLB	CHECKED BY	RLB
DRAWN BY	RLB	DATE	JUNE, 2005
PROJECT	0301030310	CONTRACT	-
DRAWING	M1	REVISION	0