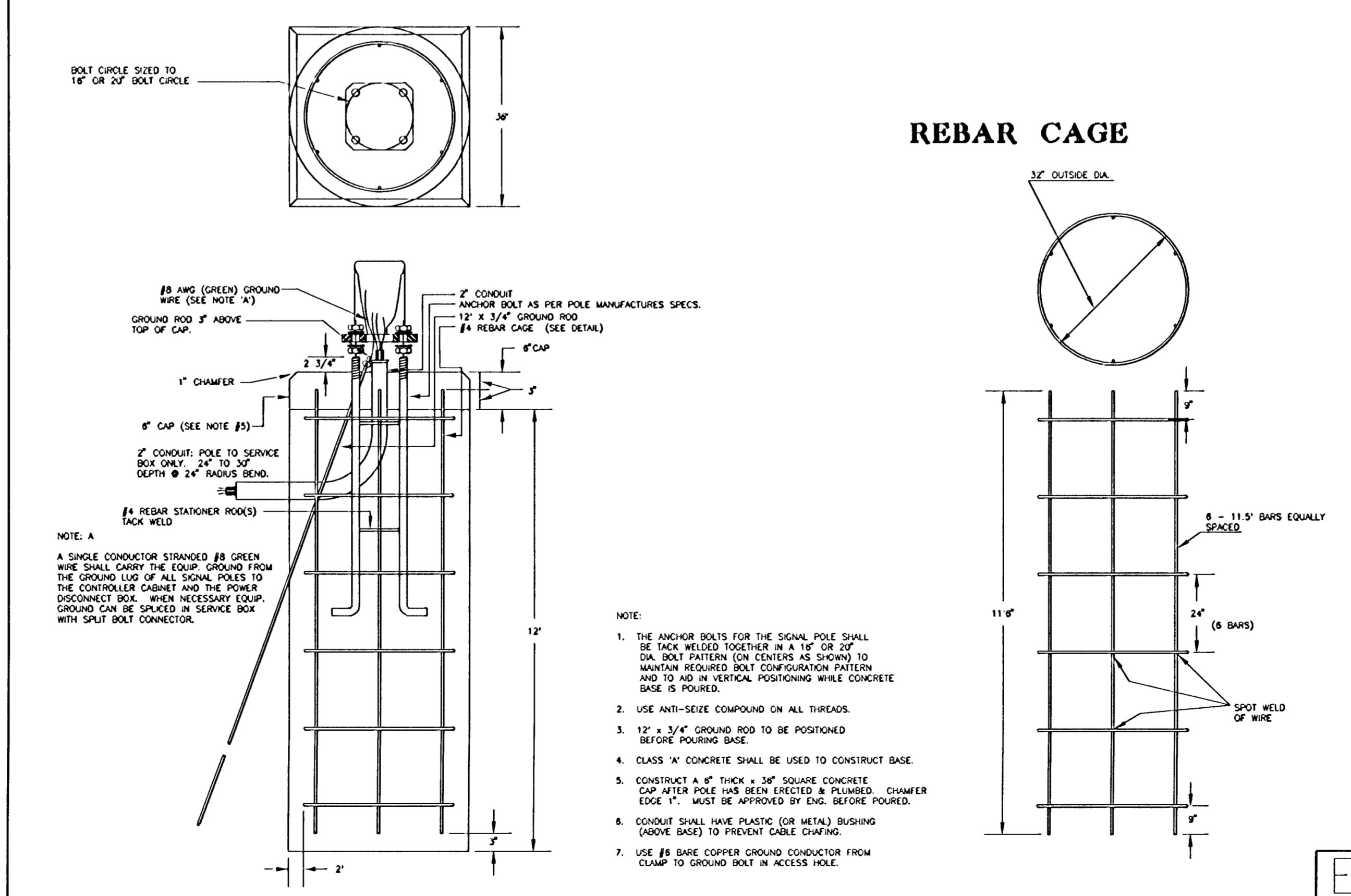
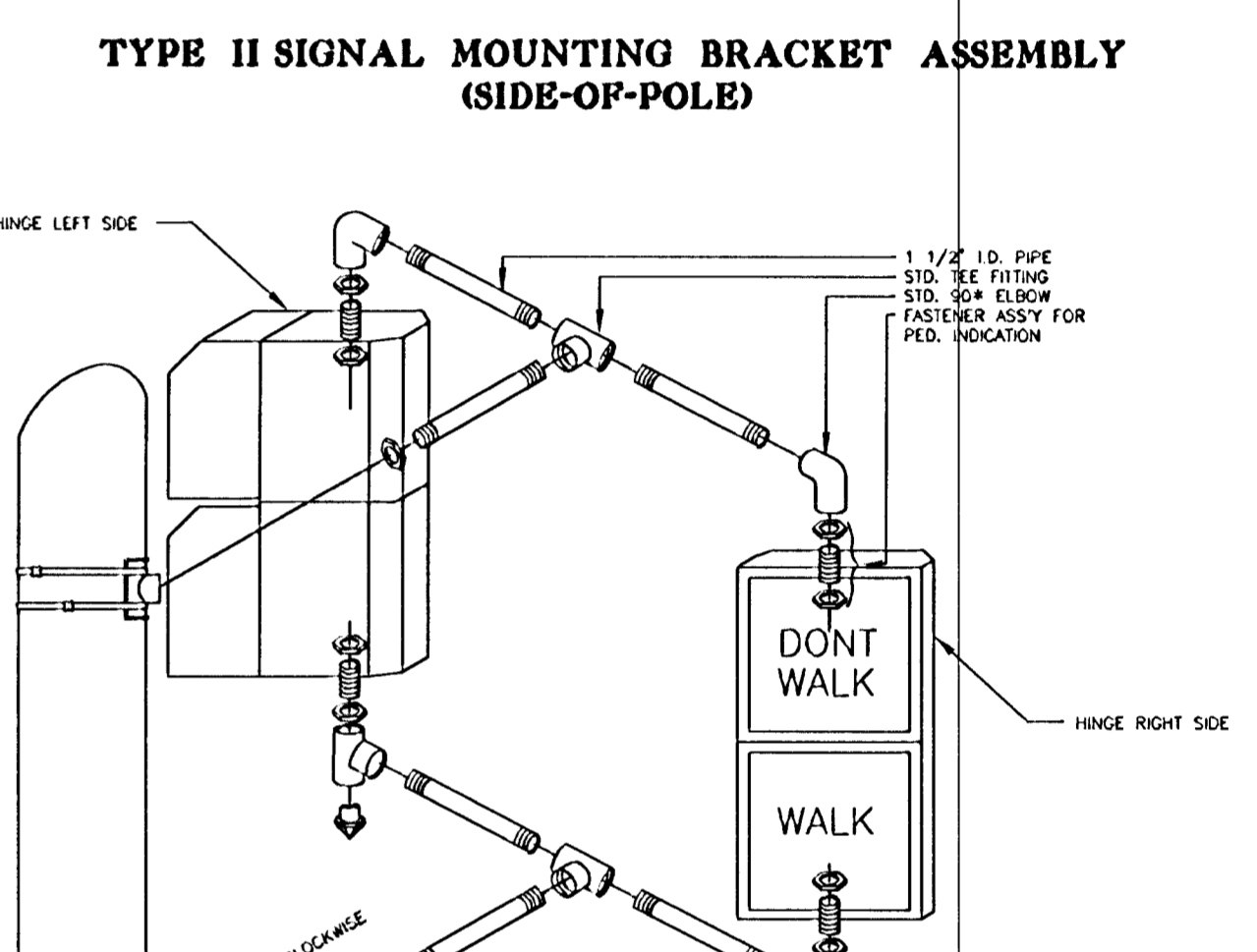
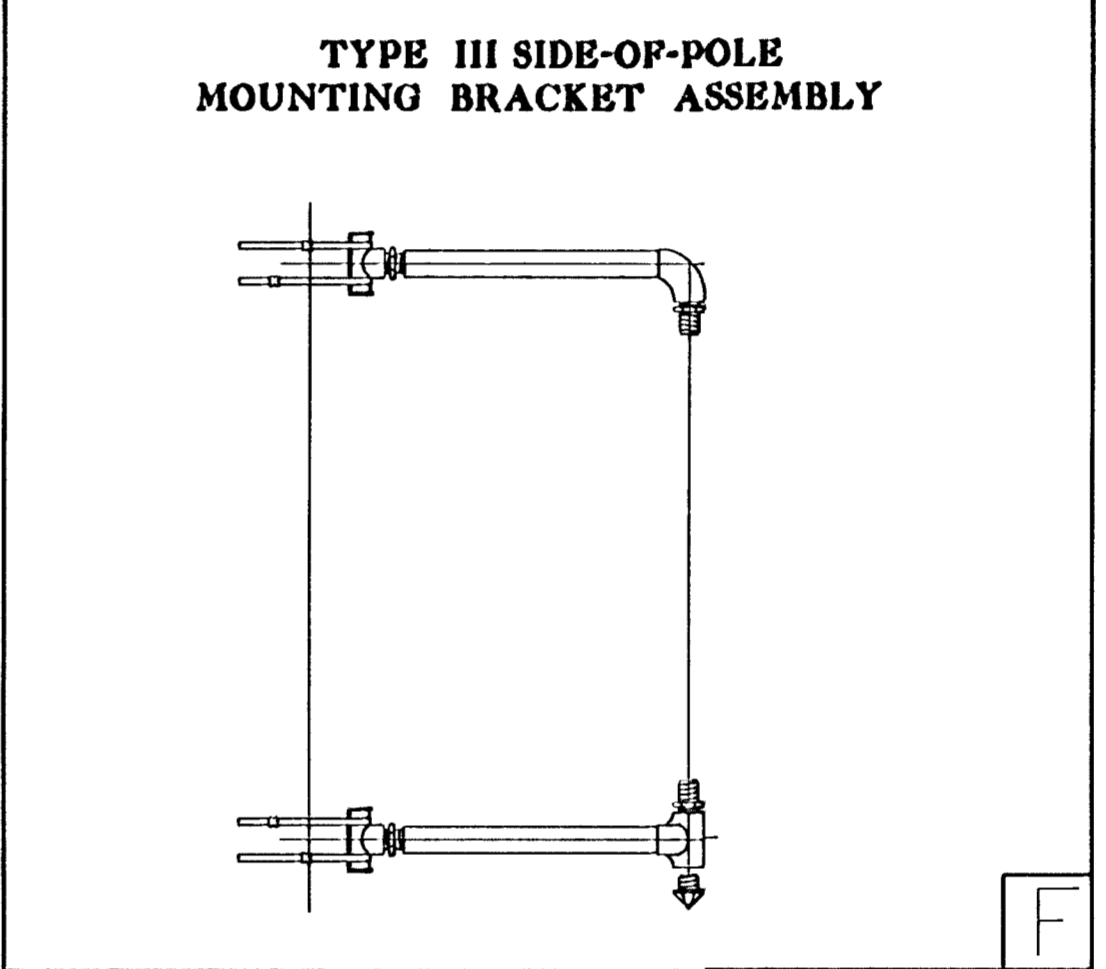
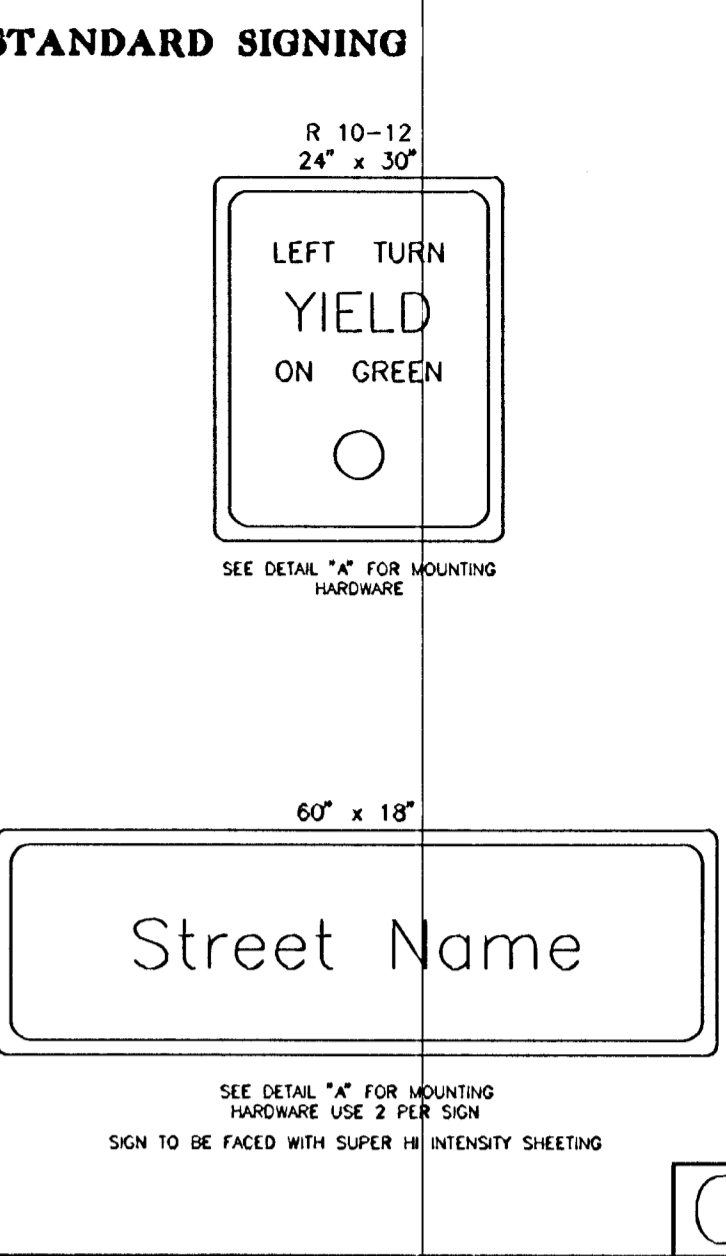
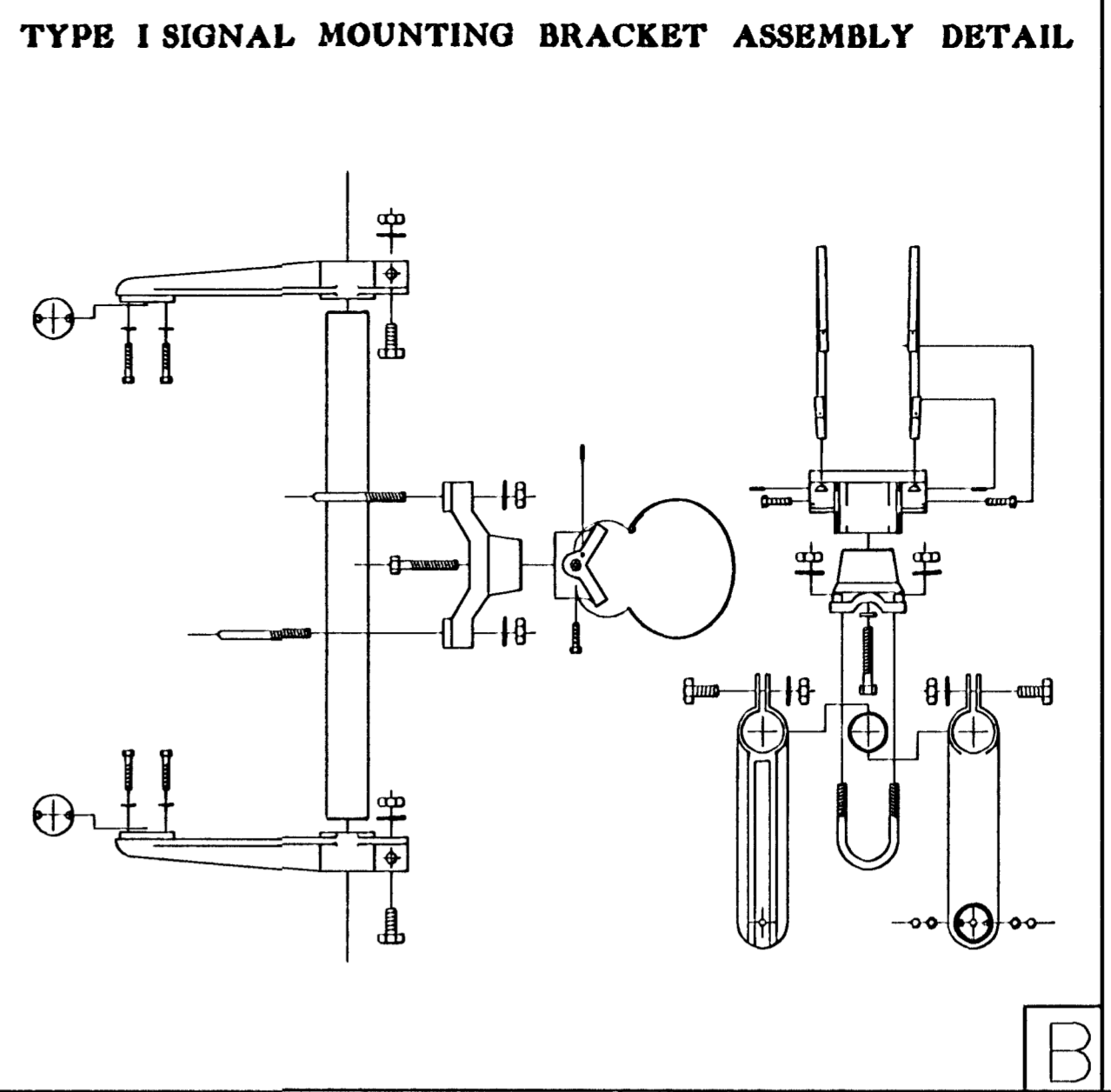
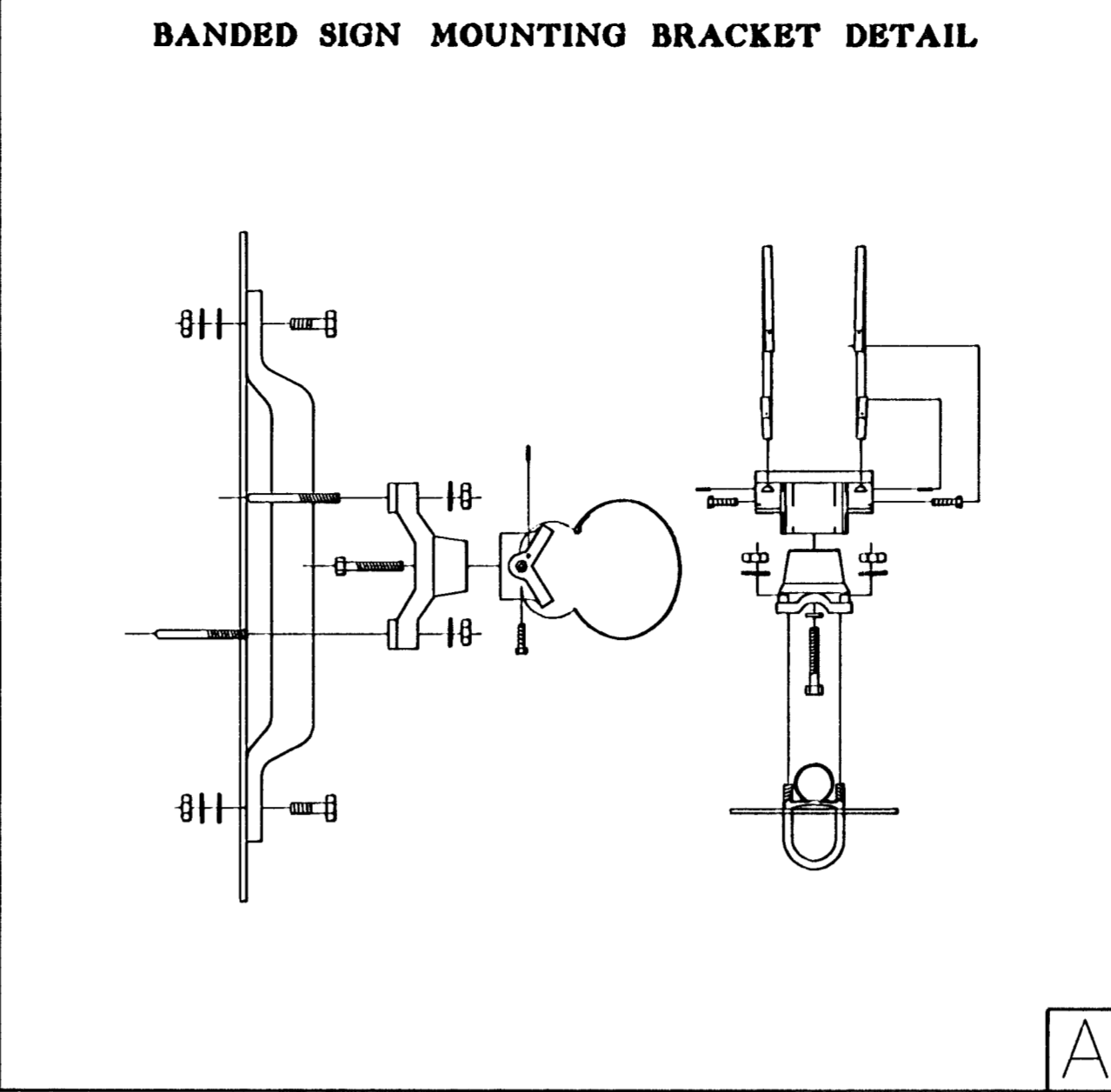
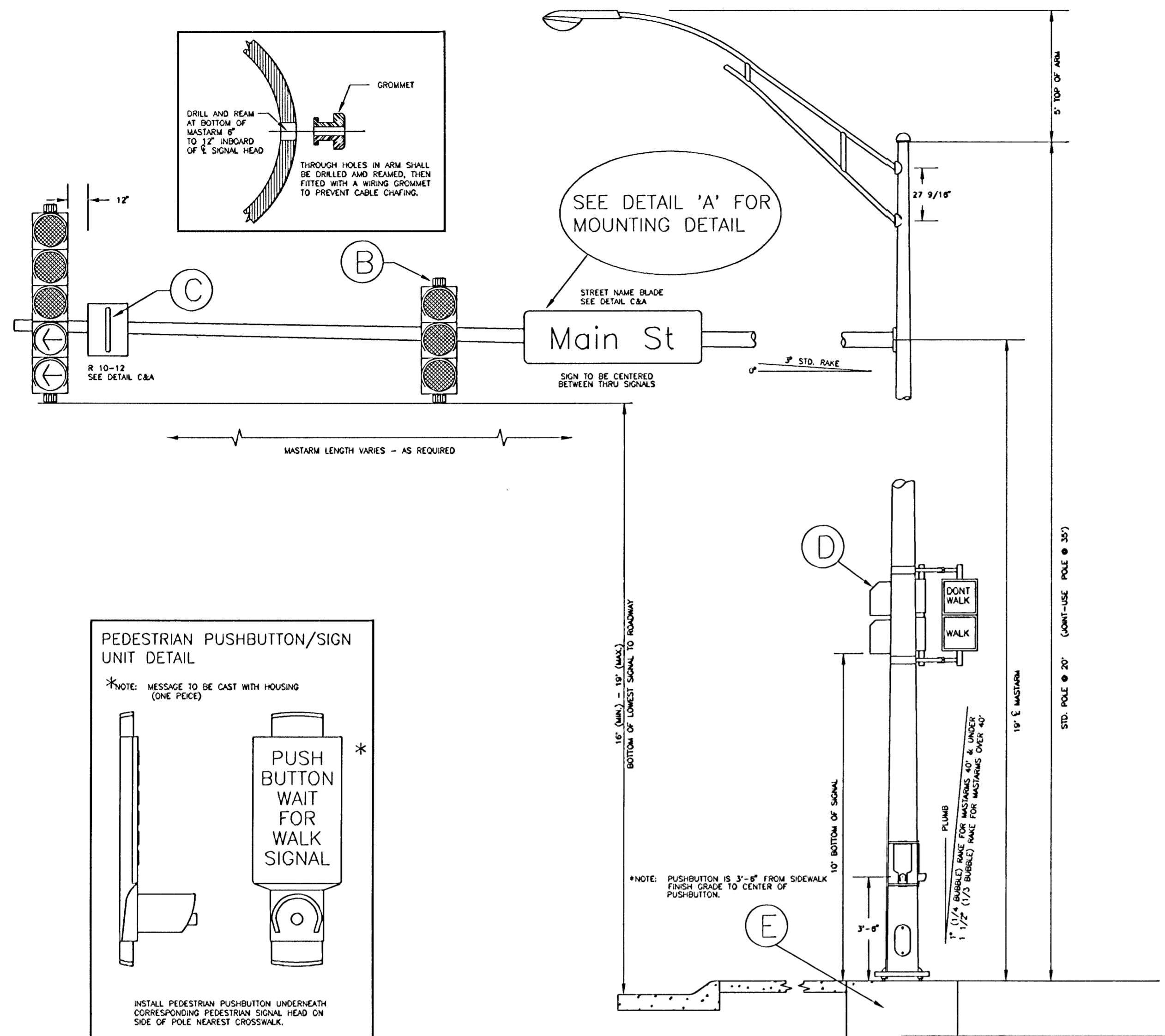


i: 1999/09/01/001/Signal-e.dgn
 Date Plotted: June 26, 2000
 Deliver to: Penni Moore



THE CITY OF WICHITA

 CITY ENGINEER'S OFFICE
 CITY HALL - SEVENTH FLOOR
 455 NORTH MAIN STREET
 WICHITA, KANSAS 67202
 (316) 268-4500
 (316) 268-4114 FAX

PROJECT DESCRIPTION		
STEEL SIGNAL POLE ASSEMBLY DETAILS		
PROJECT NUMBER		
472-76-245-83222-000-000-001		
DRAWN BY: T.M.	SCALE	REVISED BY:
DATE: MAY 97	NO SCALE	DATE:
CITY OF WICHITA DEPARTMENT OF PUBLIC WORKS		
DIVISION OF TRAFFIC ENGINEERING		
WM. G. MCKINLEY P.E.	TRAFFIC ENGINEER	SHEET 19 OF 32