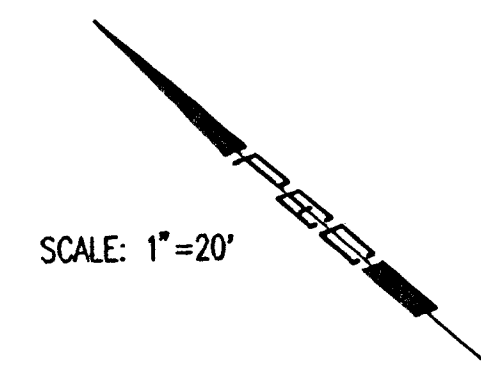
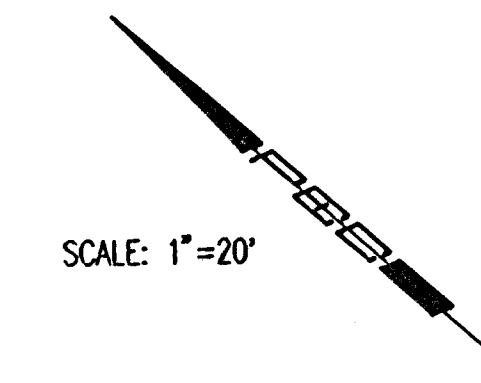
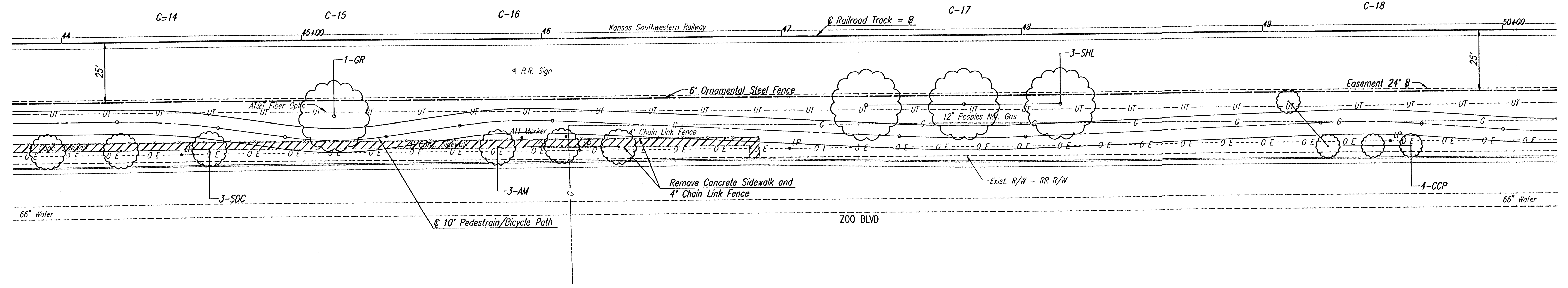


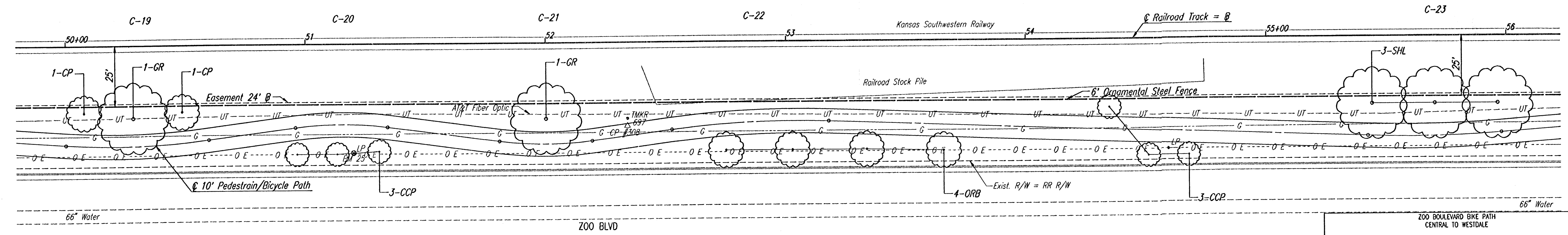
| CURVE | C ARC LENGTH | RADIUS | DELTA | PC | | STATION | PI | | STATION | PT | | STATION |
|-------|--------------|--------|-----------|--------------|--------------|--------------------|--------------|--------------|-----------------|--------------|--------------|--------------------|
| | | | | NORTHING | EASTING | | NORTHING | EASTING | | NORTHING | EASTING | |
| | | | | | | | | | | | | |
| C-14 | 42.57 | 300.00 | 8°07'48" | 1,693,353.75 | 1,632,512.23 | 44+22.68, 33°RL | 1,693,337.50 | 1,632,526.03 | 44+44.00, 33°RL | 1,693,319.47 | 1,632,537.40 | 44+65.11, 36.02°RL |
| C-15 | 42.27 | 150.00 | 16°08'50" | 1,693,295.69 | 1,632,552.39 | 44+92.34, 39.99°RL | 1,693,277.69 | 1,632,563.74 | 45+14.00, 43°RL | 1,693,263.55 | 1,632,579.65 | 45+35.07, 40.03°RL |
| C-16 | 38.50 | 200.00 | 11°01'48" | 1,693,242.89 | 1,632,602.91 | 45+65.88, 35.69°RL | 1,693,230.06 | 1,632,617.34 | 45+85.00, 33°RL | 1,693,214.71 | 1,632,629.05 | 46+04.28, 34.01°RL |
| C-17 | 52.72 | 600.00 | 5°02'03" | 1,693,099.77 | 1,632,716.76 | 47+48.66, 41.61°RL | 1,693,078.80 | 1,632,732.76 | 47+75.00, 43°RL | 1,693,059.32 | 1,632,750.53 | 48+01.36, 42.07°RL |
| C-18 | 42.30 | 400.00 | 6°03'33" | 1,692,968.78 | 1,632,833.14 | 49+23.84, 37.75°RL | 1,692,953.14 | 1,632,847.41 | 49+45.00, 37°RL | 1,692,936.09 | 1,632,859.95 | 49+66.12, 38.49°RL |
| C-19 | 59.75 | 300.00 | 11°24'41" | 1,691,384.61 | 1,634,175.25 | 50+00.10, 40.89°RL | 1,691,360.46 | 1,634,193.00 | 50+30.00, 43°RL | 1,691,340.30 | 1,634,215.18 | 50+59.73, 39.15°RL |
| C-20 | 38.61 | 150.00 | 14°44'51" | 1,691,315.87 | 1,634,242.06 | 50+95.75, 34.49°RL | 1,691,302.81 | 1,634,256.43 | 51+15.00, 32°RL | 1,691,286.53 | 1,634,266.99 | 51+34.25, 34.49°RL |
| C-21 | 38.61 | 150.00 | 14°44'51" | 1,692,771.23 | 1,632,997.40 | 51+80.75, 40.51°RL | 1,692,771.23 | 1,632,997.40 | 52+00.00, 43°RL | 1,692,741.89 | 1,633,022.33 | 52+23.22, 40.51°RL |
| C-22 | 65.51 | 400.00 | 9°23'00" | 1,692,754.94 | 1,633,007.97 | 52+52.44, 36.21°RL | 1,692,719.38 | 1,633,047.10 | 52+85.00, 32°RL | 1,692,671.55 | 1,633,091.76 | 53+17.81, 33.15°RL |
| C-23 | 55.92 | 500.00 | 6°24'30" | 1,692,697.30 | 1,633,071.39 | 55+42.03, 41.02°RL | 1,692,495.60 | 1,633,230.96 | 55+70.00, 42°RL | 1,692,453.77 | 1,633,268.03 | 55+97.91, 39.85°RL |



NE 1/4 Sec. 14, T27S, R1W



NE 1/4 Sec. 14, T27S, R1W



Benchmark #25
RR Spike in NE face light pole
400± SE of 12th St.
Sta. 51+20, 45' RL.
Elev. = 125.83

Control Point #308
1/2" rebar 3' SW of ATT Marker #697
NE of NE curb Zoo Blvd., E. of Single Tree Apts.
Sta. 52+33.35, 34.37 RL.
N = 1,692,735.122, E = 1,633,036.141
Elev. = 125.18

ZOO BOULEVARD BIKE PATH
CENTRAL TO WESTDALE

ZOO BOULEVARD
STA. 44+00.00 TO STA. 56+00.00

Professional Engineering Consultants, P.A.
303 S. TOPEKA • WICHITA, KANSAS 67202
316-262-2691 • FAX 316-262-3003

| | | | |
|-------------|----------|------------|----------------|
| Designed by | RMH | Checked by | |
| Drawn by | DEP, SAD | Date | SEPTEMBER 2001 |
| | | Job No. | 96450-002 |

DSNR: SAD OPER: SAD SCALE: 1"=20.00
 09-04-2002 09:04:58 am
 G:\1996\96450\002\SW44-56