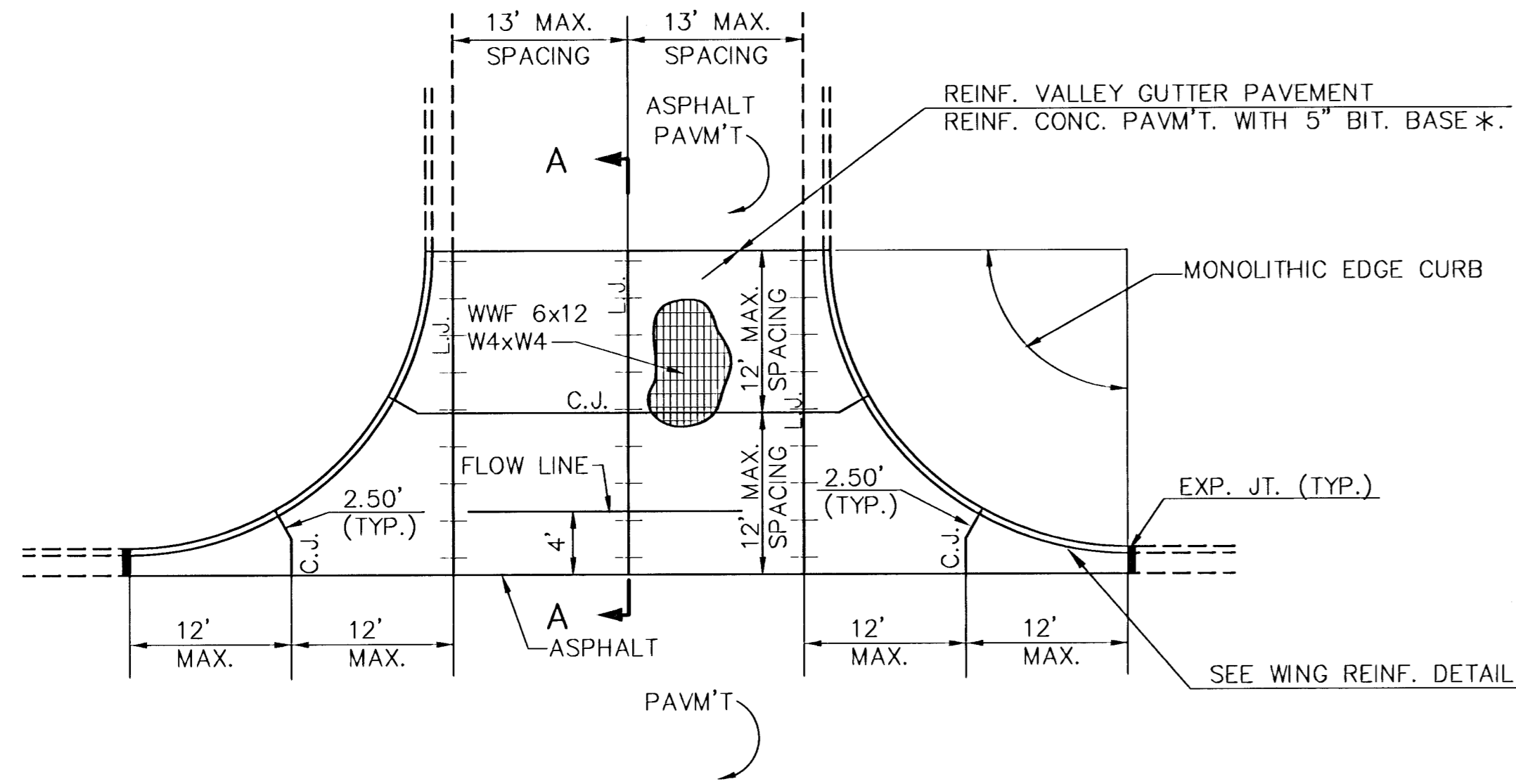
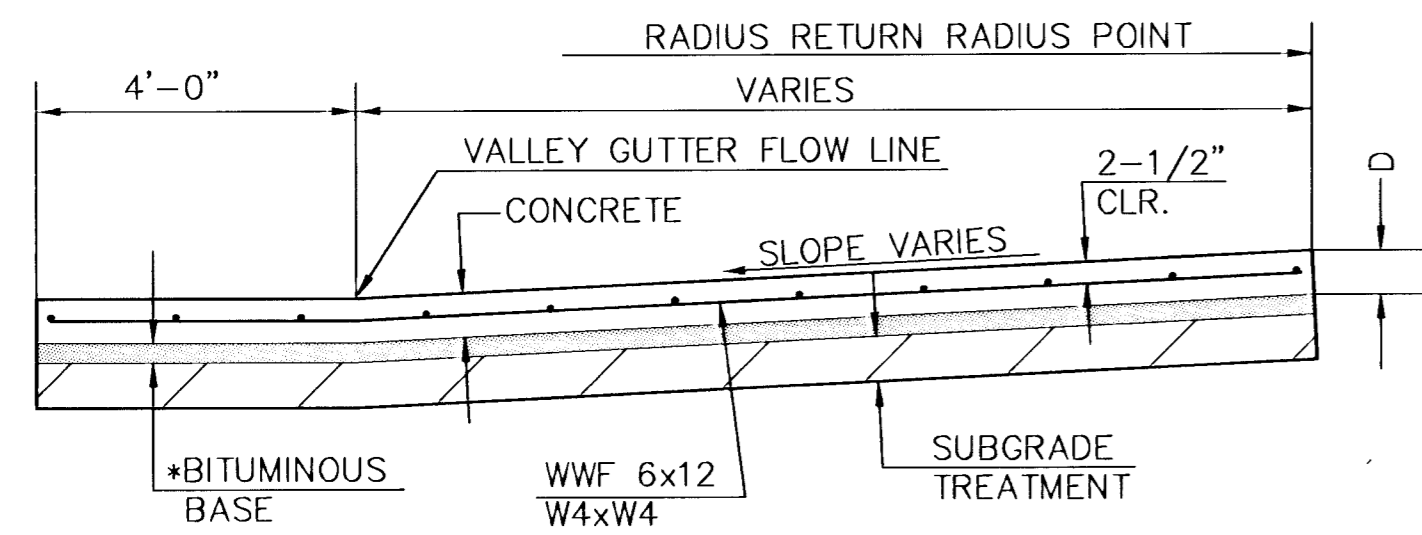


6"x12" W4xW4 WIRE FABRIC REINFORCING SHALL BE PLACED SUCH THAT THE WIRES WITH THE 6" SPACING WILL RUN PARALLEL WITH THE LONGITUDINAL JOINT.

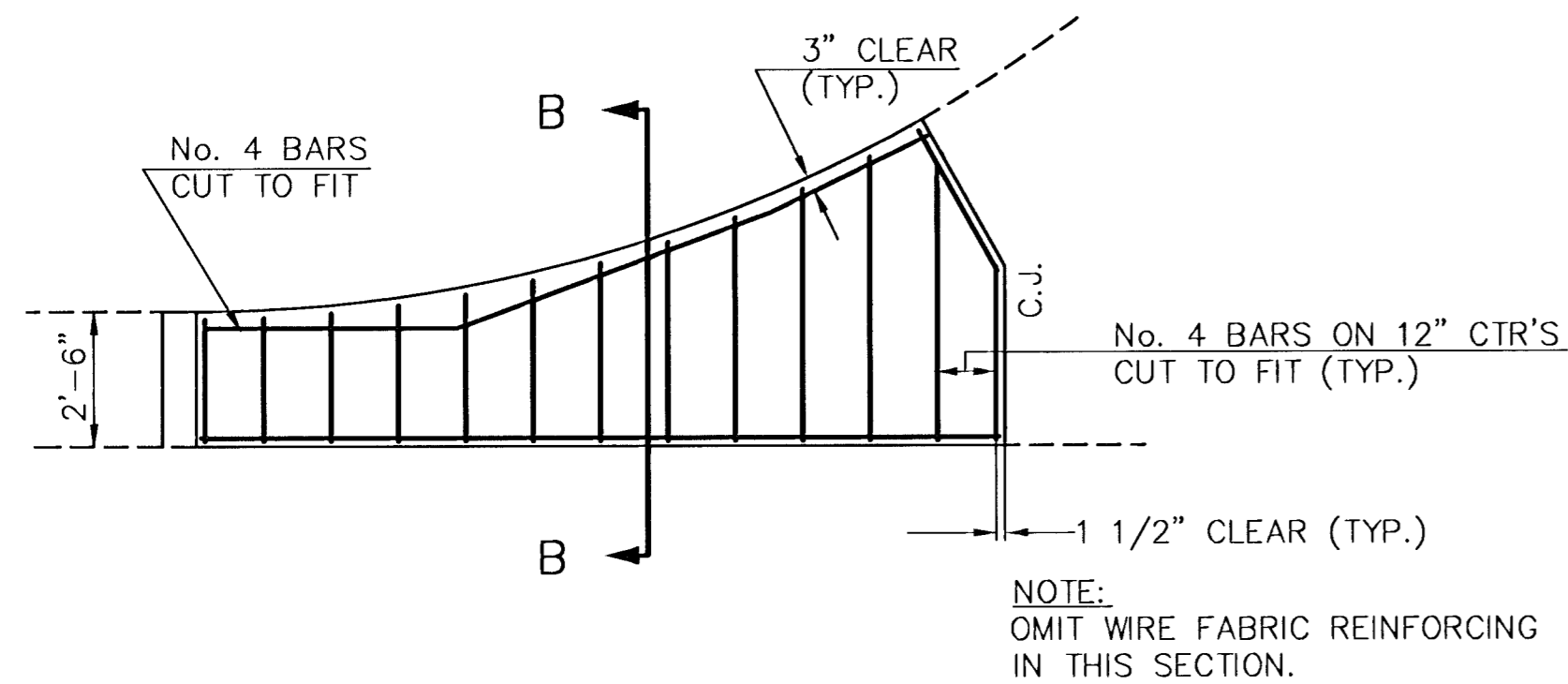


PLAN
REINFORCED VALLEY GUTTER
SCALE: NONE

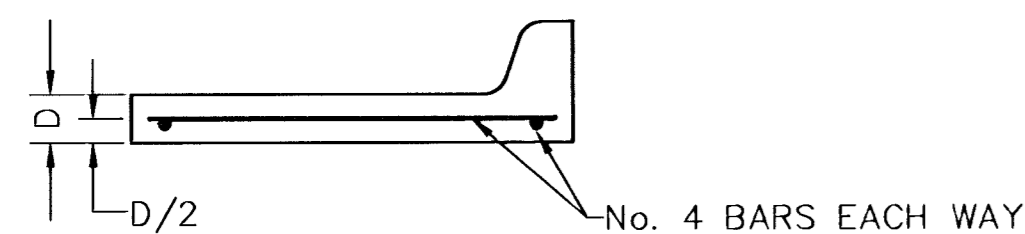


SECTION A-A
SCALE: NONE

*NOT TO BE USED WITH CRUSHED ROCK BASE



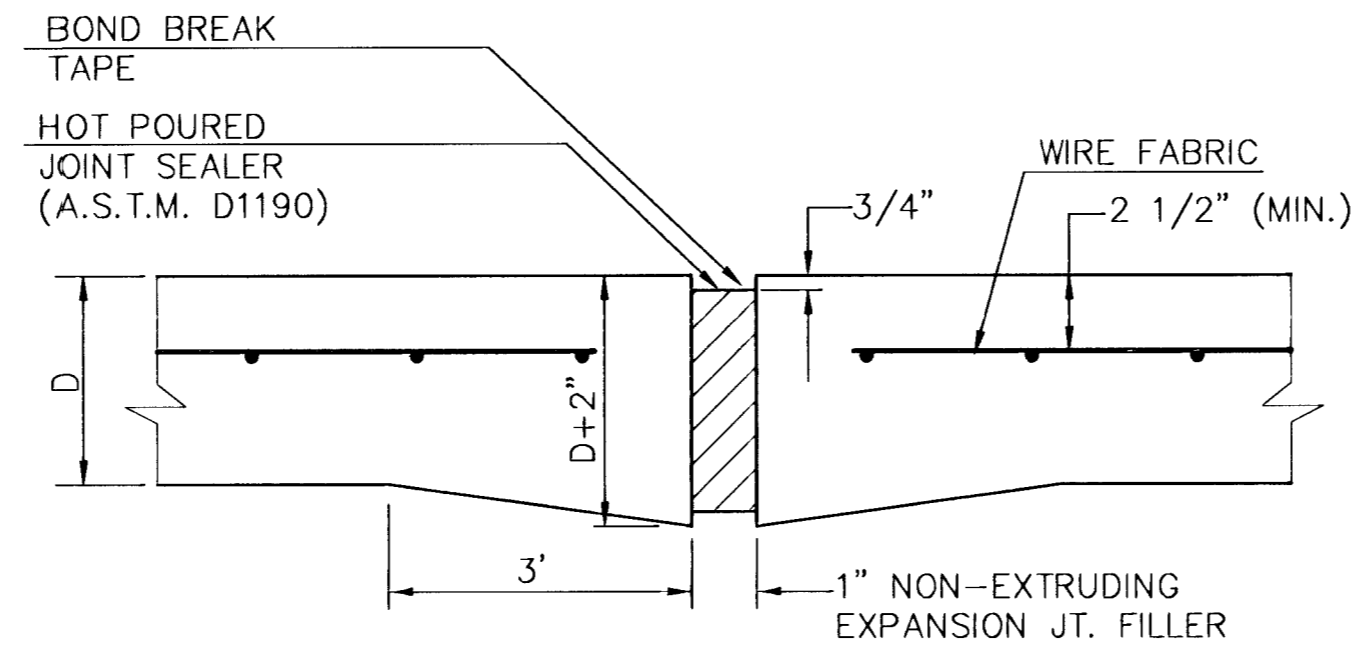
WING REINFORCING DETAIL
SCALE: NONE



SECTION B-B
SCALE: NONE

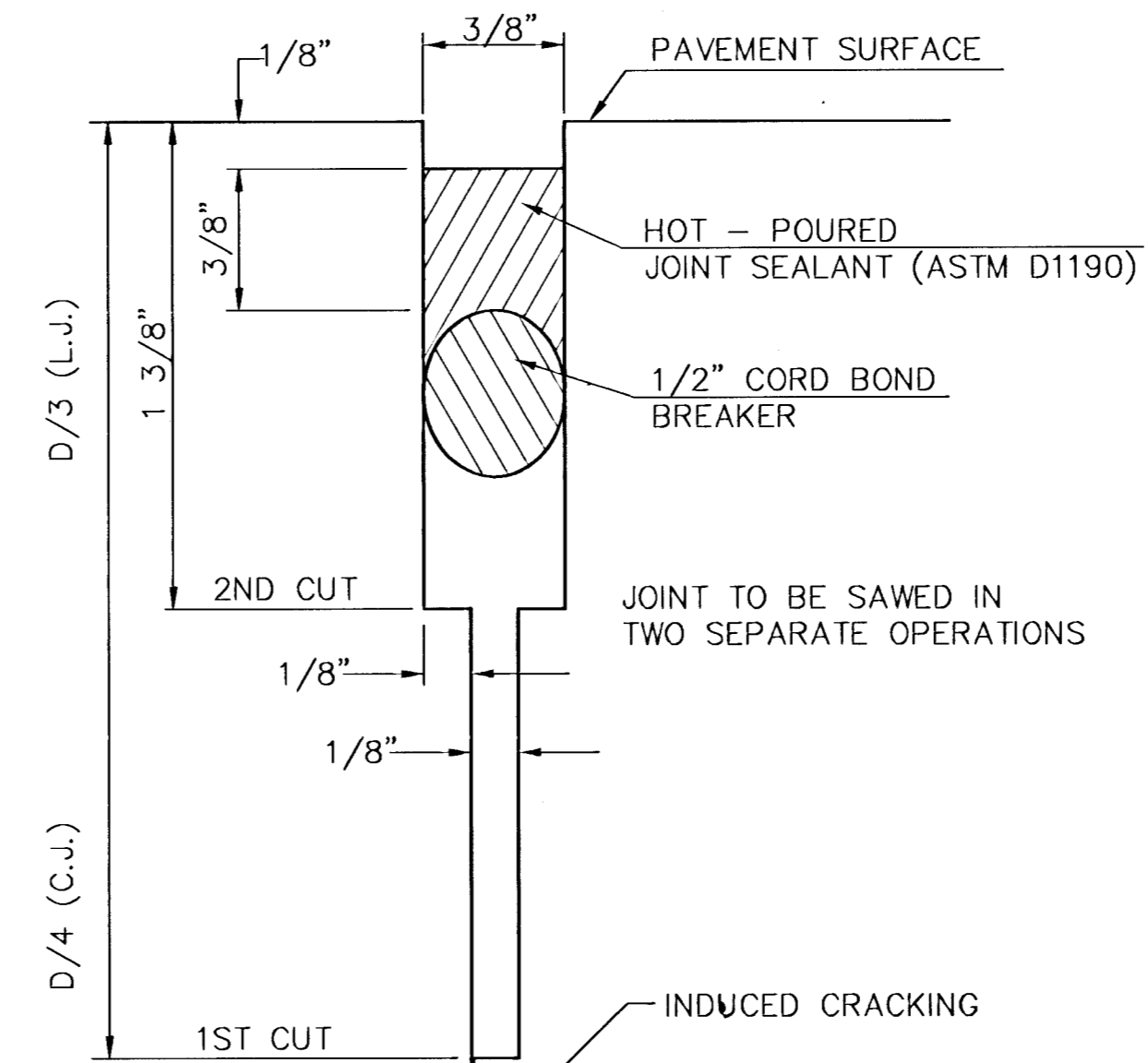
NOTE:
ALL CONCRETE VALLEY GUTTER REINFORCEMENT SHALL BE ADEQUATELY SUPPORTED BY BAR CHAIRS IN THE REQUIRED POSITION UNLESS APPROVED OTHERWISE BY THE ENGINEER.

*NOT TO BE USED WITH CRUSHED ROCK BASE.

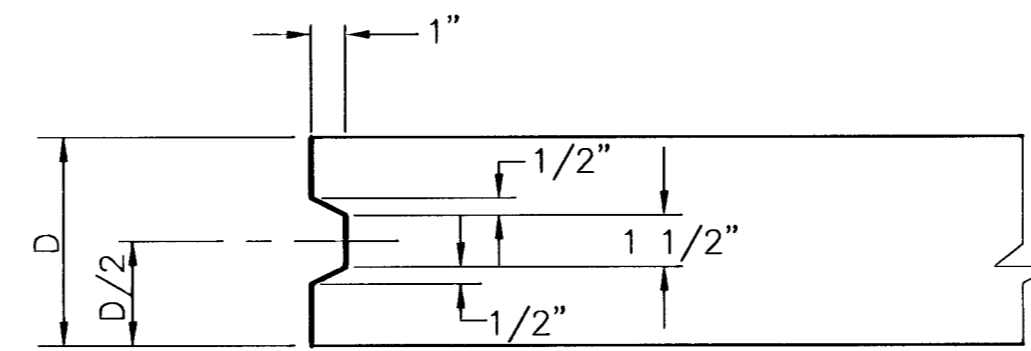


NOTE:
EXTRA THICKNESS TO BE SUBSIDIARY TO PRICE OF SQ. YDS. PAVEMENT.

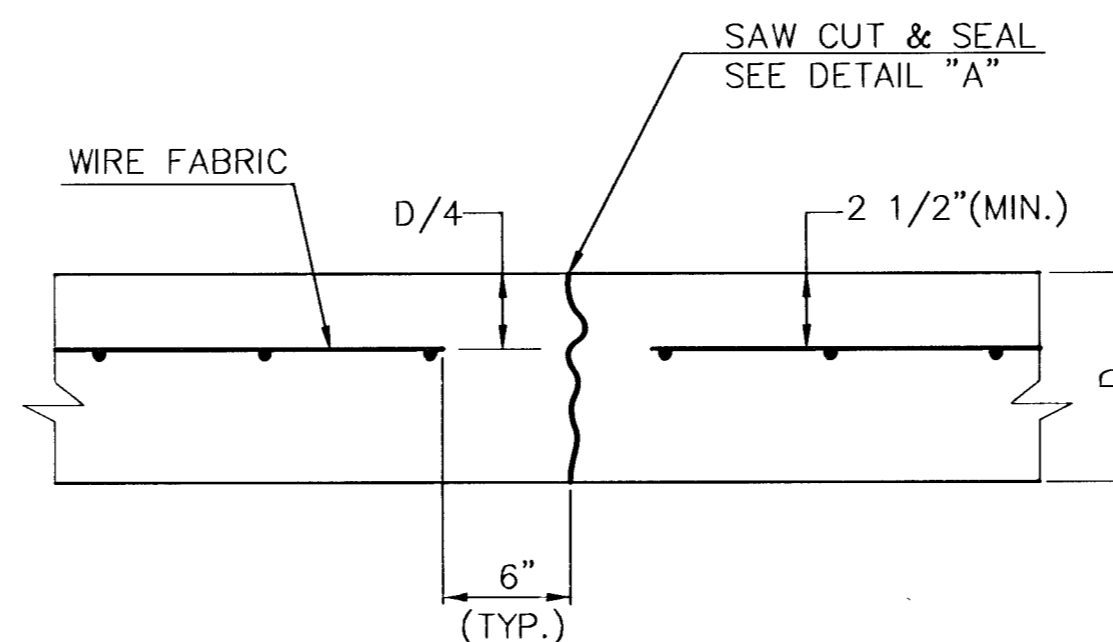
EXPANSION JOINT
SCALE: NONE



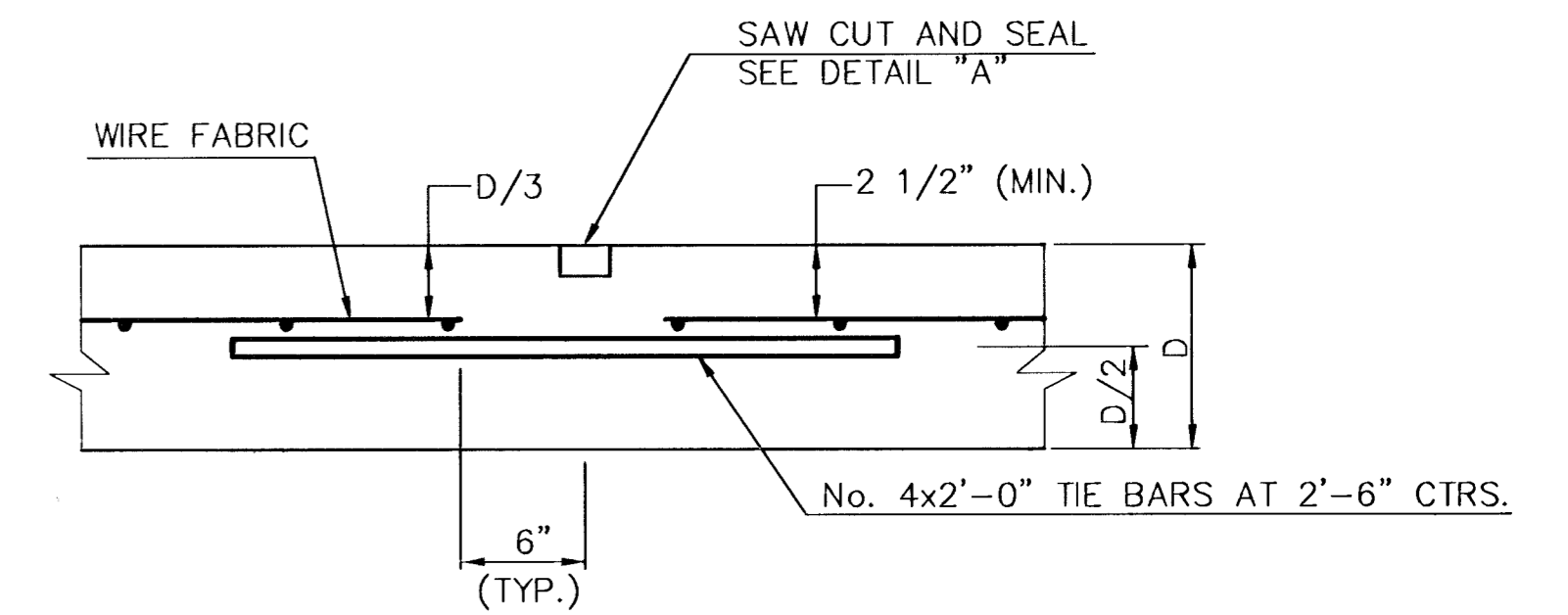
DETAIL "A"
SCALE: NONE



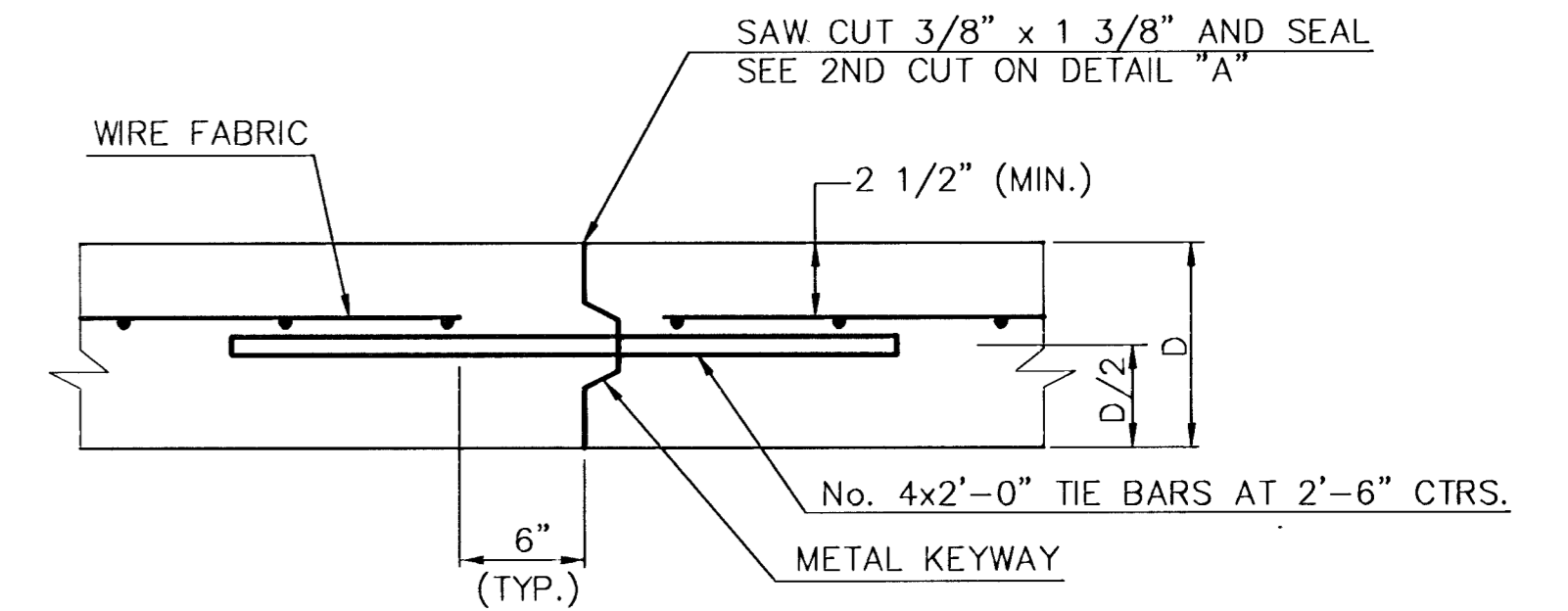
KEYWAY DETAIL
SCALE: NONE



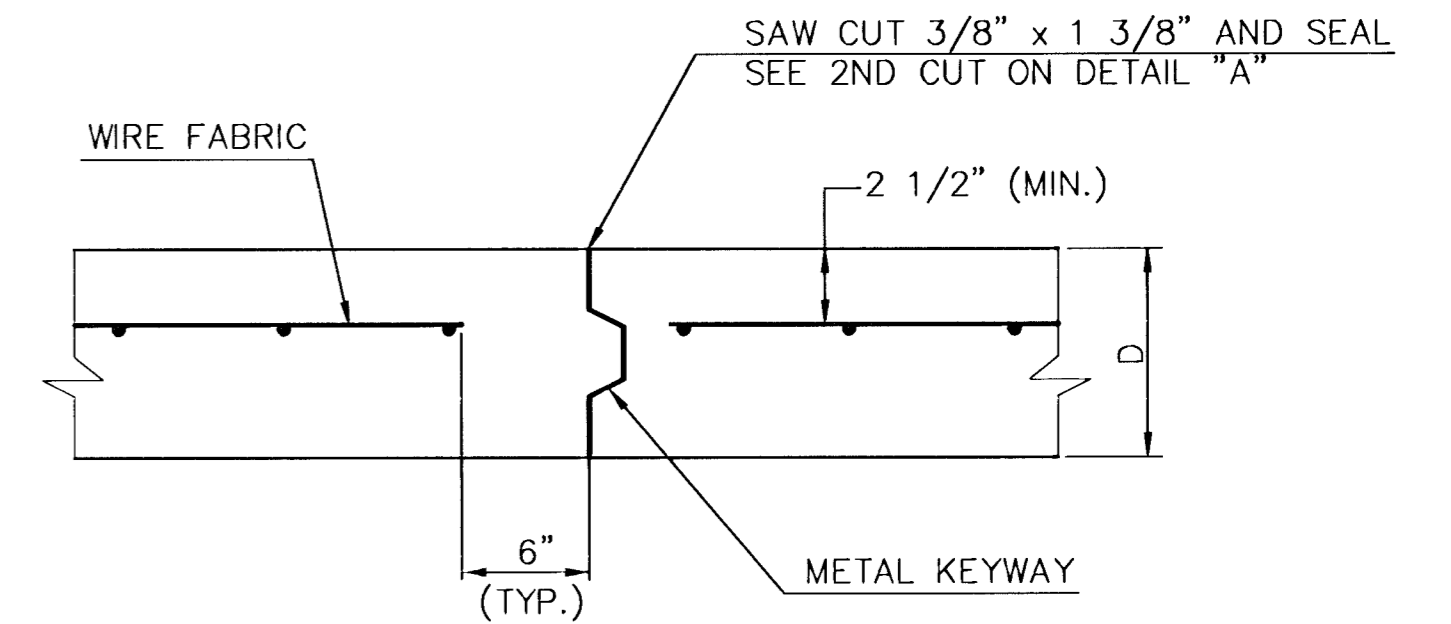
CONTRACTION JOINT DETAIL (C.J.)
SCALE: NONE



LONGITUDINAL JOINT DETAIL (L.J.)
SCALE: NONE



OPTIONAL LONGITUDINAL CONSTRUCTION JOINT (L.J.)
SCALE: NONE
(Alternate L.J.)



OPTIONAL CONTRACTION CONSTRUCTION JOINT (C.J.)
SCALE: NONE
(Alternate C.J.)

LEGEND

C.J. IDENTIFIES CONTRACTION JOINT
L.J. IDENTIFIES LONGITUDINAL JOINT

VALLEY GUTTER & MISC. DETAILS
CITY OF WICHITA, KANSAS

PROJECT NUMBER
472-83084

13/58