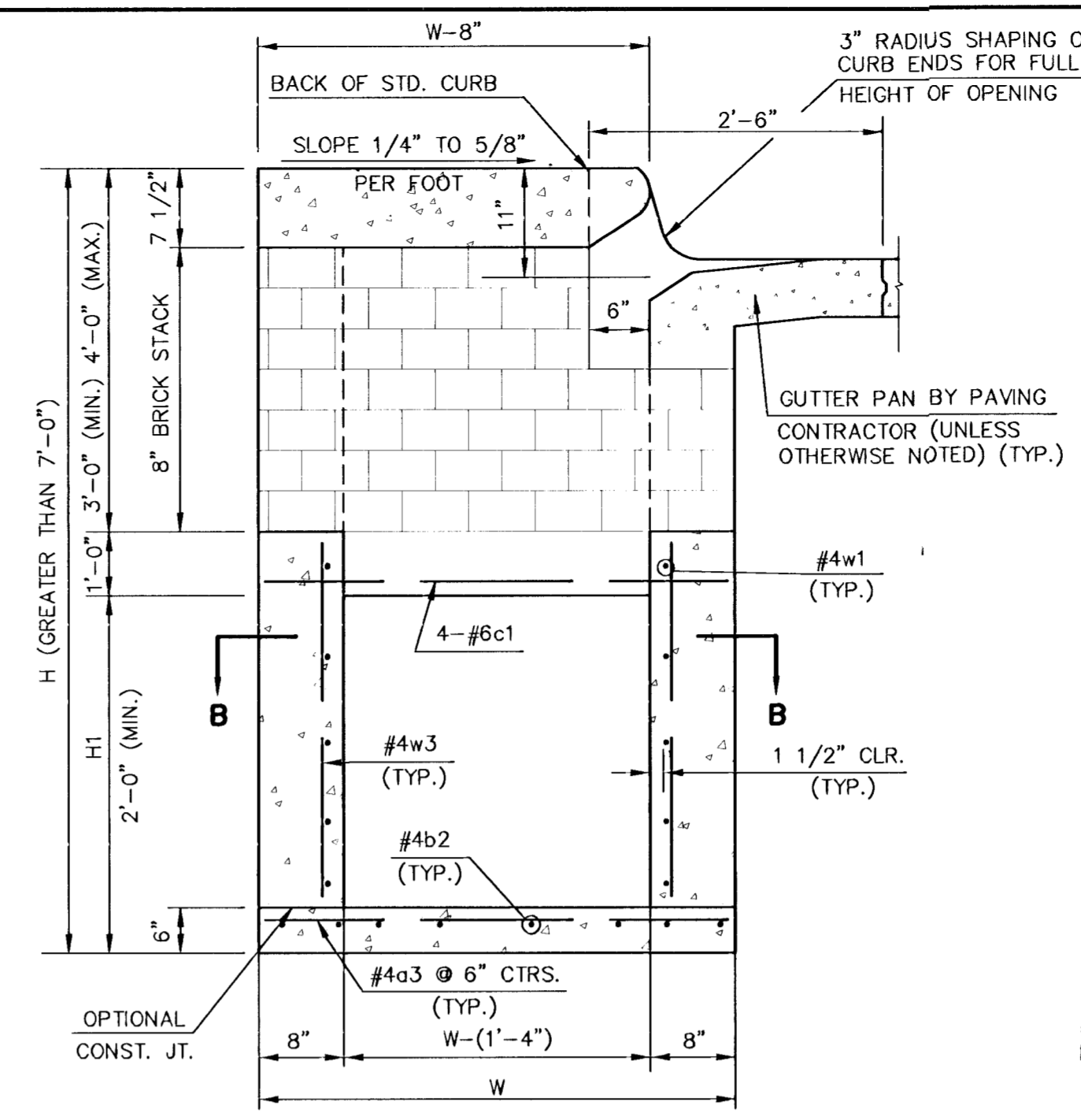
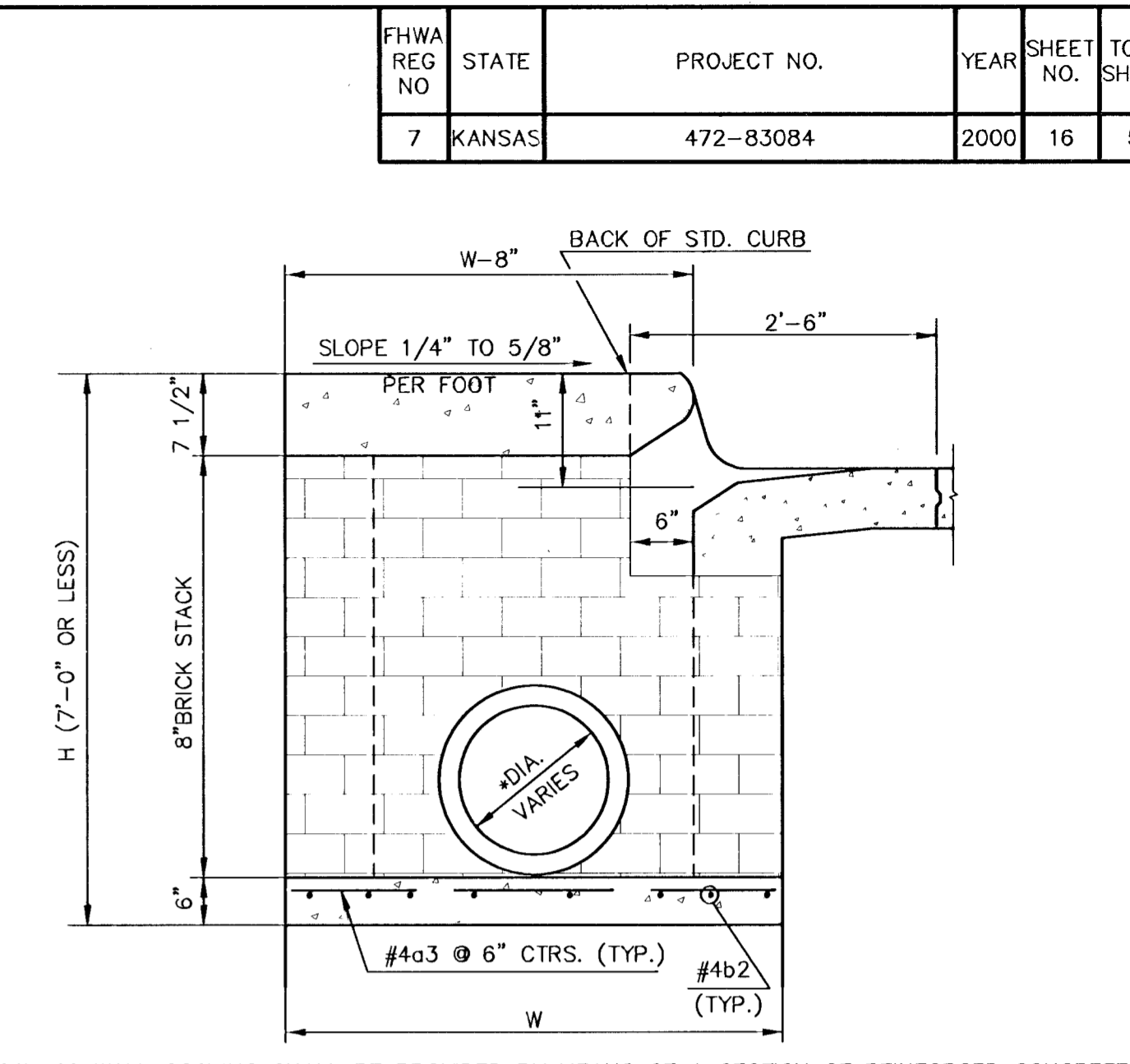


PLAN

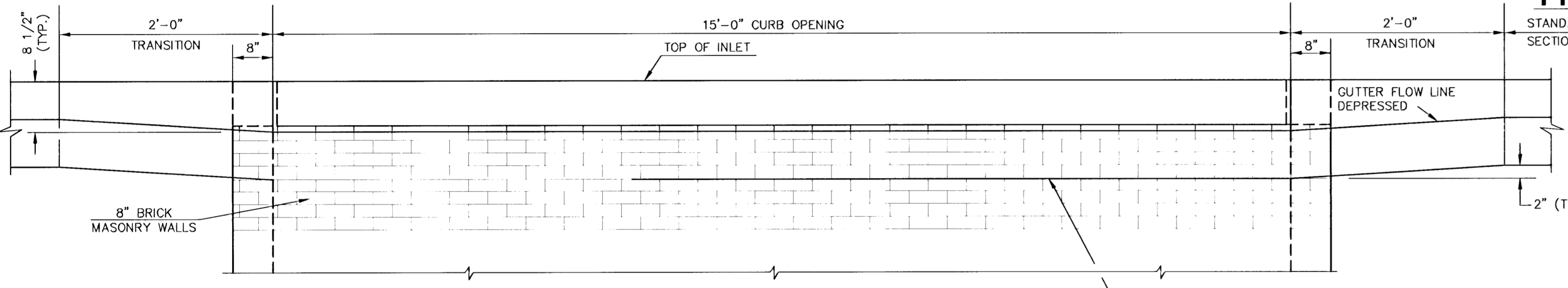


TYPICAL INLET SECTION AT CENTER WALL (REINFORCED CONCRETE WALLS)



* A CENTER WALL OPENING SHALL BE PROVIDED BY MEANS OF A SECTION OF REINFORCED CONCRETE PIPE. THE MINIMUM DIAMETER USED SHALL BE THAT OF THE OUTLET PIPE.

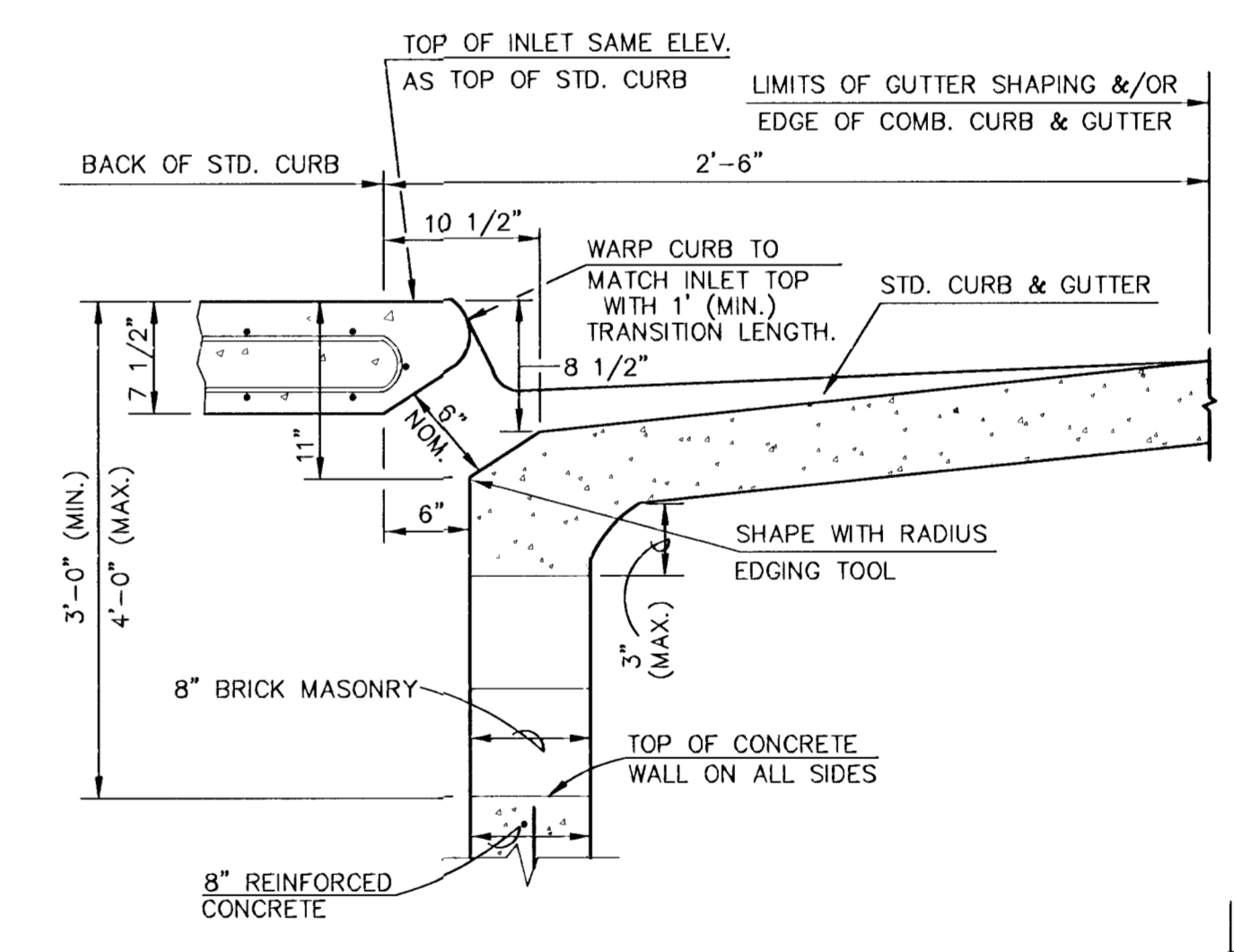
TYPICAL INLET SECTION AT CENTER WALL (MASONRY WALLS)



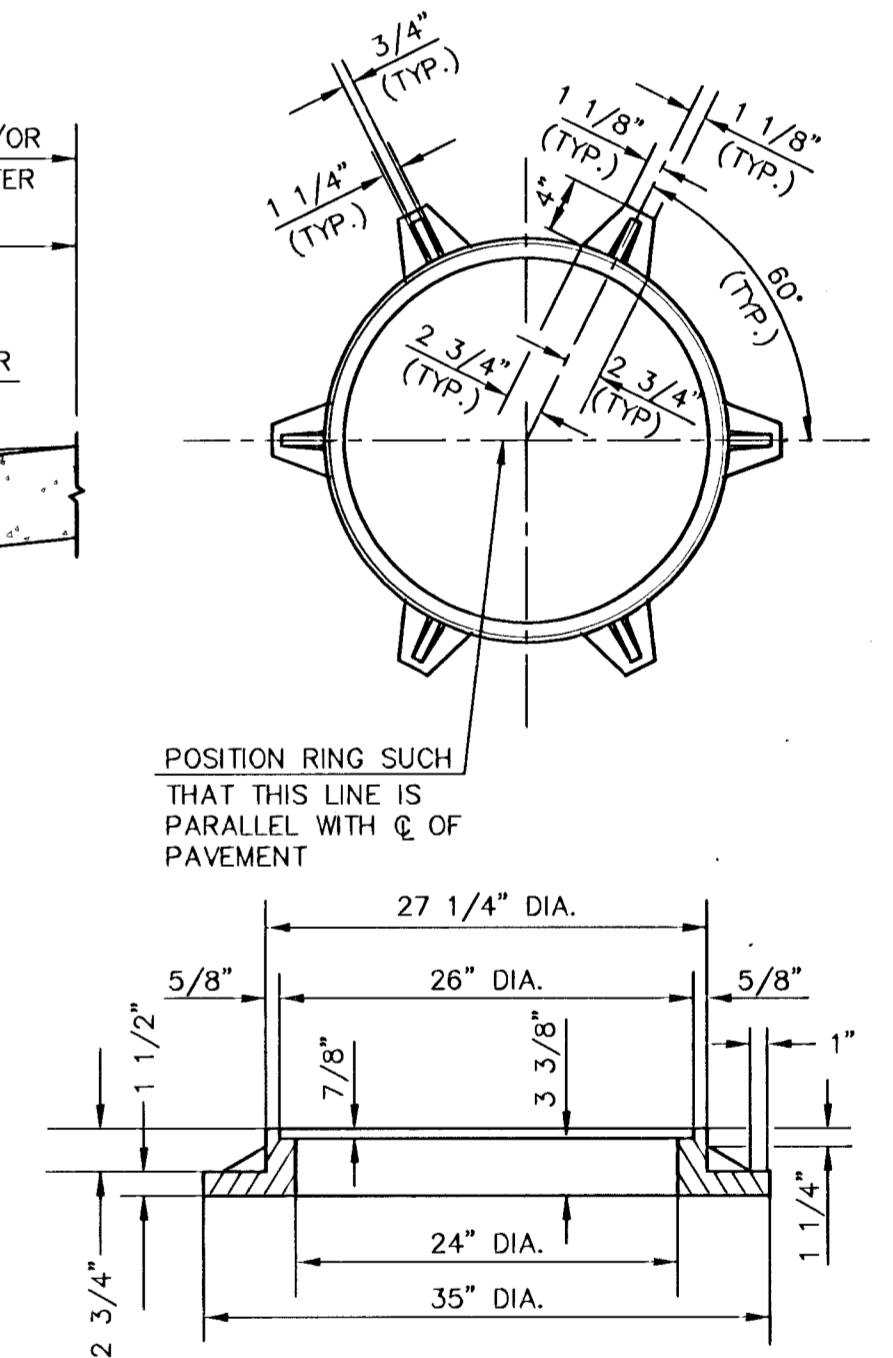
ELEVATION

GENERAL NOTES

- CONCRETE SHALL BE C.O.W. STANDARD PAVING MIX. ALL EXPOSED EDGES SHALL BE FINISHED WITH AN EDGING TOOL. REINFORCING BARS SHALL BE FIELD BENT OR CUT TO CLEAR PIPES. ALL BARS ARE #4 BARS AT 6" SPACING AND SHALL HAVE A MINIMUM CLEARANCE OF 1 1/2" UNLESS OTHERWISE NOTED. FLOORS OF INLET SHALL BE SHAPED WITH 8 SACK SAND MIX CONCRETE TO INCREASE HYDRAULIC EFFICIENCY SUCH THAT THE INLET WILL BE SELF CLEANING BETWEEN ALL INLET AND/OR OUTFALL PIPE(S). THE CONTRACTOR WILL BE REQUIRED TO CONSTRUCT 8" BRICK MASONRY WALLS BETWEEN THE CONCRETE INLET BASE AND TOP ON THIS INLET WHEN H=7'-0" OR LESS AND W=6'-4" OR LESS.
- THE ENDS OF ALL PIPES INSTALLED IN INLETS SHALL BE CUT OFF FLUSH WITH THE INSIDE FACE OF THE INLET WALL.

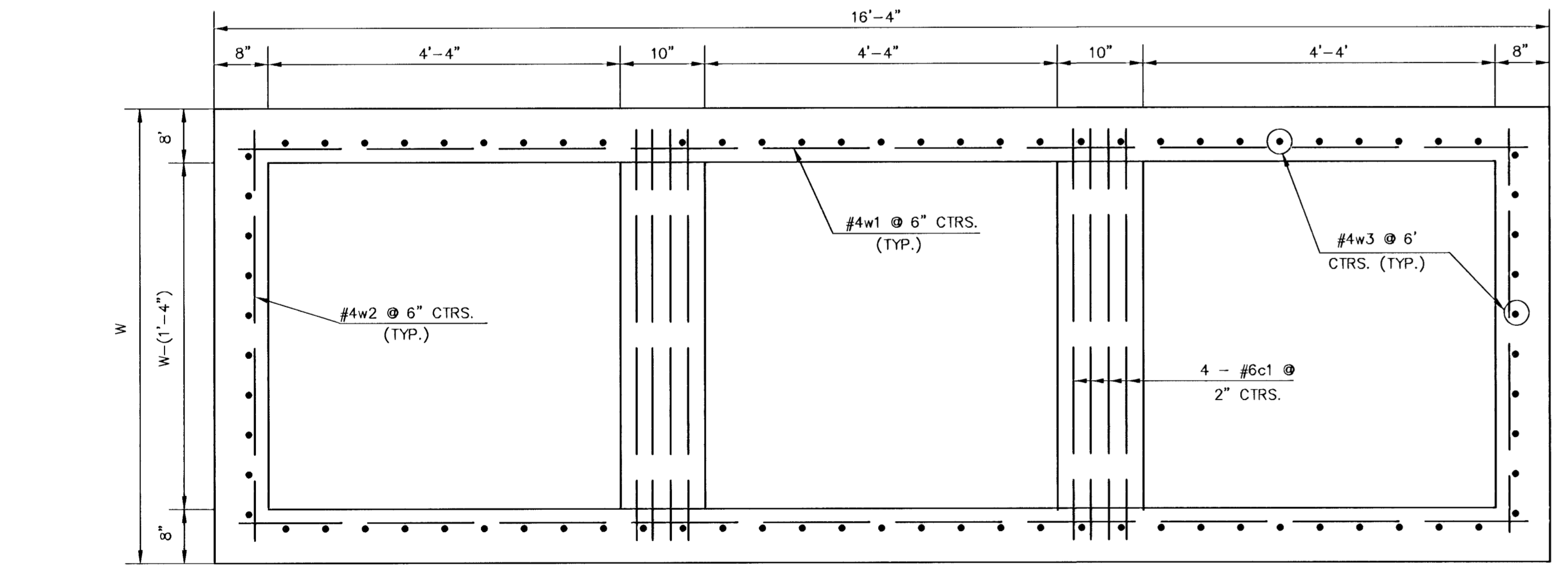


SECTION C-C

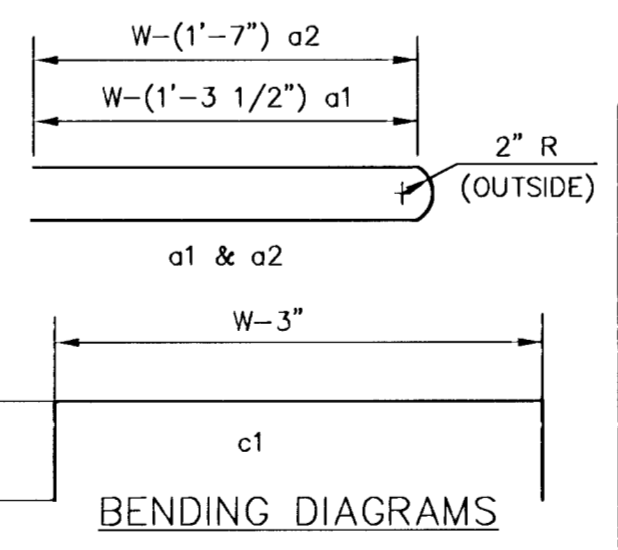


INLET FRAME
WT.=180 LBS.

SEE CITY OF WICHITA STANDARD MANHOLE FRAME AND COVER DETAIL SHEET FOR COVER DETAILS TO BE USED WITH INLET FRAME.



SECTION B-B



BENDING DIAGRAMS

SLAB AND FLOOR REINFORCING

MARK	SIZE	W=4'-4"		W=5'-4"		W=6'-4"		W=7'-4"		W=8'-4"	
		NO.	LENGTH	NO.	LENGTH	NO.	LENGTH	NO.	LENGTH	NO.	LENGTH
a1	#4	20	6' 7 1/4"	20	8' 7 1/4"	20	10' 7 1/4"	20	12' 7 1/4"	20	14' 7 1/4"
a2	#4	4	6'-0"	4	8'-0"	4	10'-0"	4	12'-0"	4	14'-0"
a3	#4	33	4'-1"	33	5'-1"	33	6'-1"	33	7'-1"	33	8'-1"
b1	#4	1	14'-8"	1	14'-8"	1	14'-8"	1	14'-8"	1	14'-8"
**b2	#4	18	16'-1"	24	16'-1"	30	16'-1"	36	16'-1"	42	16'-1"

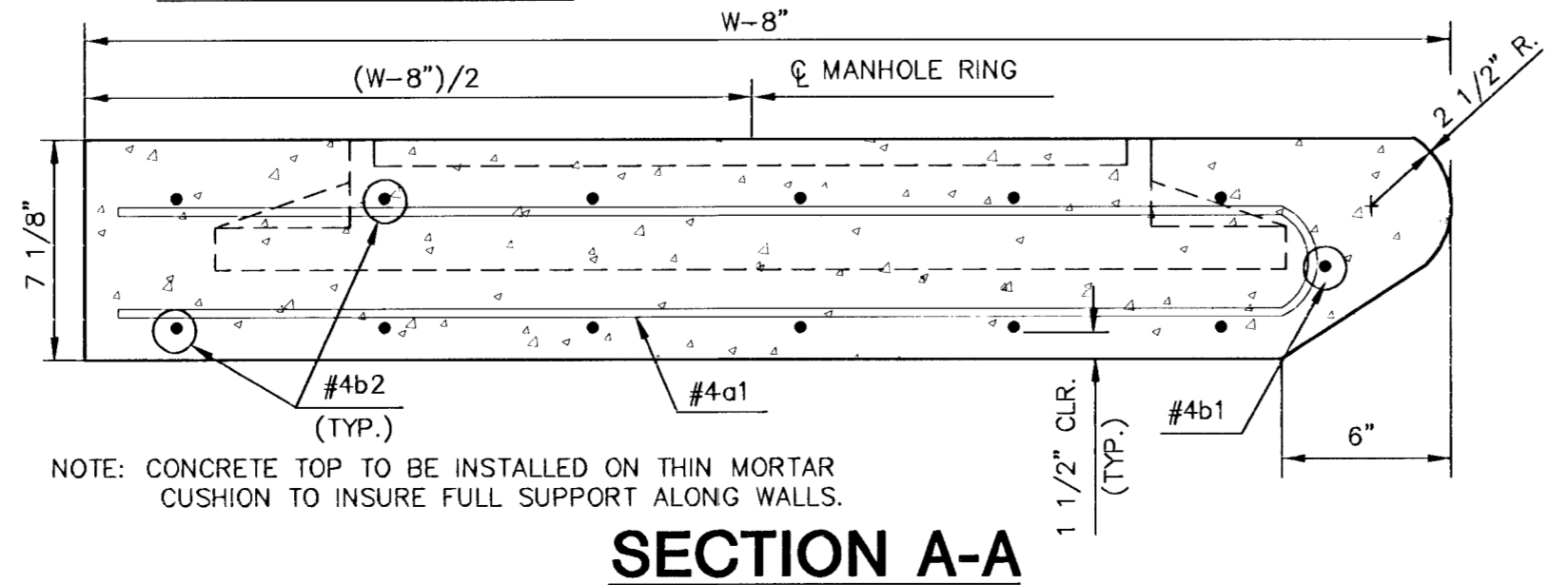
WALL REINFORCING

MARK	SIZE	W=4'-4"		W=5'-4"		W=6'-4"		W=7'-4"		W=8'-4"	
		NO.	LENGTH	NO.	LENGTH	NO.	LENGTH	NO.	LENGTH	NO.	LENGTH
c1	#6	8	6'-1"	8	7'-1"	8	8'-1"	8	9'-1"	8	10'-1"
w1	#4	①	4 900	①	4 900	①	4 900	①	4 900	①	4 900
w2	#4	①	1 245	①	1 550	①	1 855	①	2 160	①	2 465
w3	#4	②	③	②	③	②	③	②	③	②	③

** FIELD BEND OR CUT REINFORCING AS REQUIRED FOR CLEARANCE

- ① 4(HI-6")
- ② 60 + 4(W-1)
- ③ HI-(9")

W	PRE-CAST TOP SIZE	PIPE SIZE	CU. YD. CONC.
4'-4"	3'-8"x16'-4"x7 1/2"	21" & SMALLER	± 1.20
5'-4"	4'-8"x16'-4"x7 1/2"	24" & 30"	± 1.58
6'-4"	5'-8"x16'-4"x7 1/2"	36" & 42"	± 1.95
7'-4"	6'-8"x16'-4"x7 1/2"	48" & 54"	± 2.33
8'-4"	7'-8"x16'-4"x7 1/2"	60" & 66"	± 2.70



SECTION A-A

NOTE: CONCRETE TOP TO BE INSTALLED ON THIN MORTAR CUSHION TO INSURE FULL SUPPORT ALONG WALLS.

REVISED: 12-21-1984

STANDARD TYPE 1 CURB INLET
INLET OPENING=6" x 15'-0"

OCTOBER, 1984
CITY OF WICHITA, KANSAS

Design	BER	Checked by	Checked by
Drawn by	KJS MWB	Date	Date
			Job No.