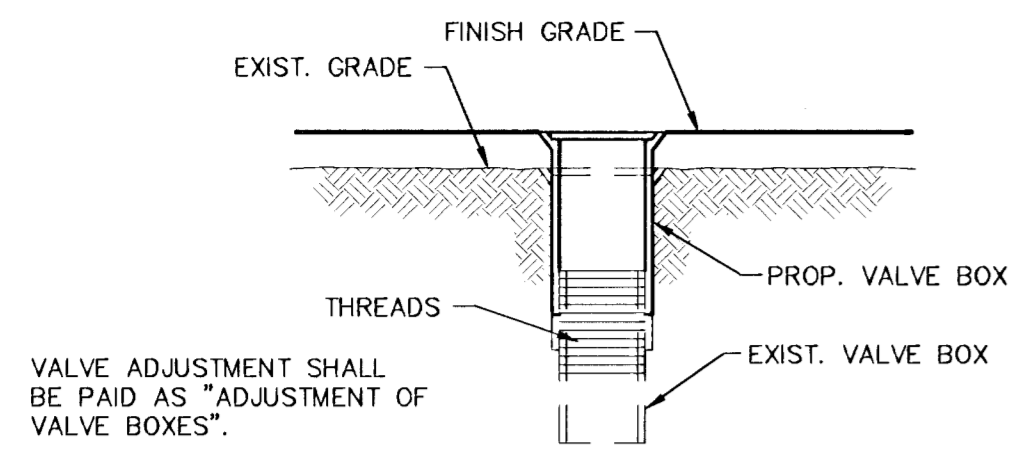
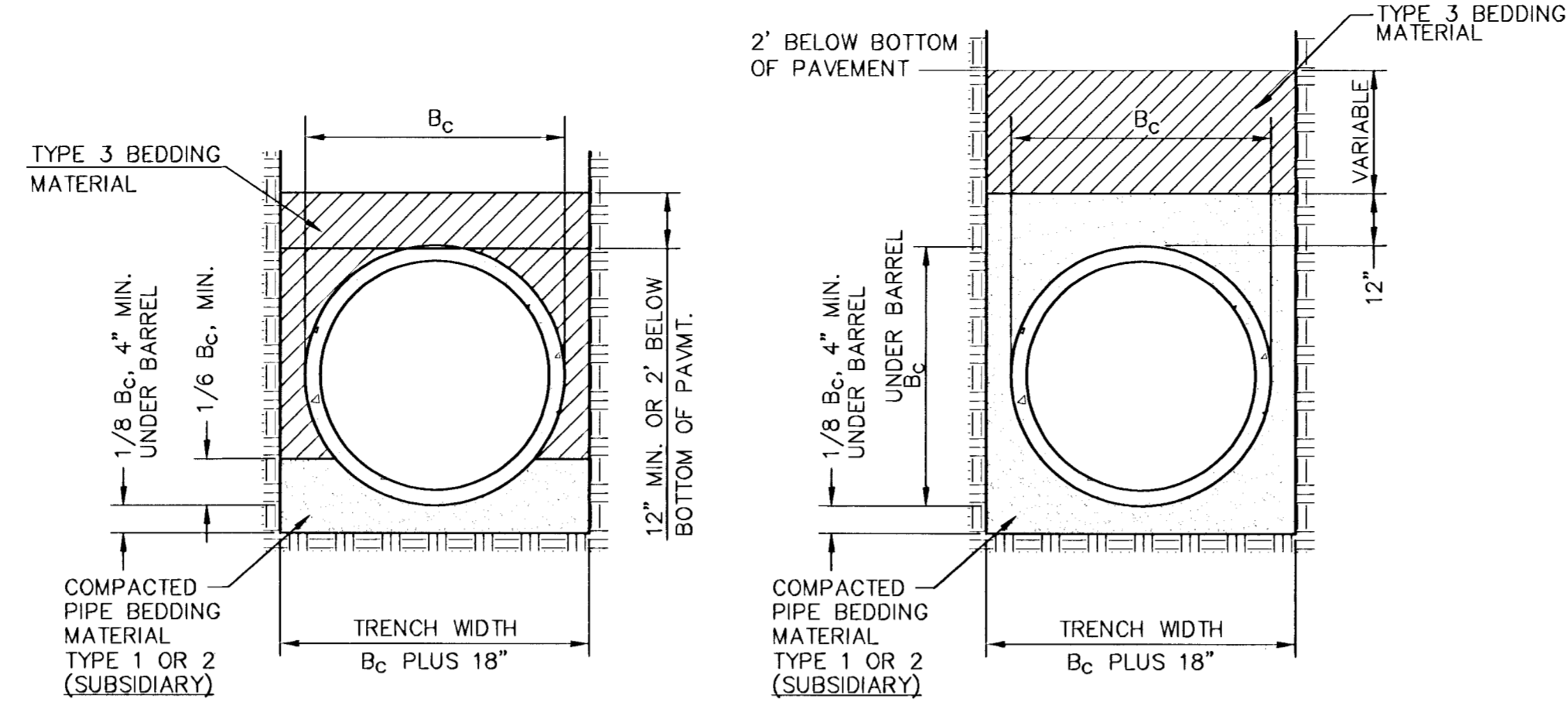


FHWA REGION NO.	STATE	PROJECT NO.	YEAR	SHEET NO.	TOTAL SHEETS
7	KS.	472-83084	2000	19	58



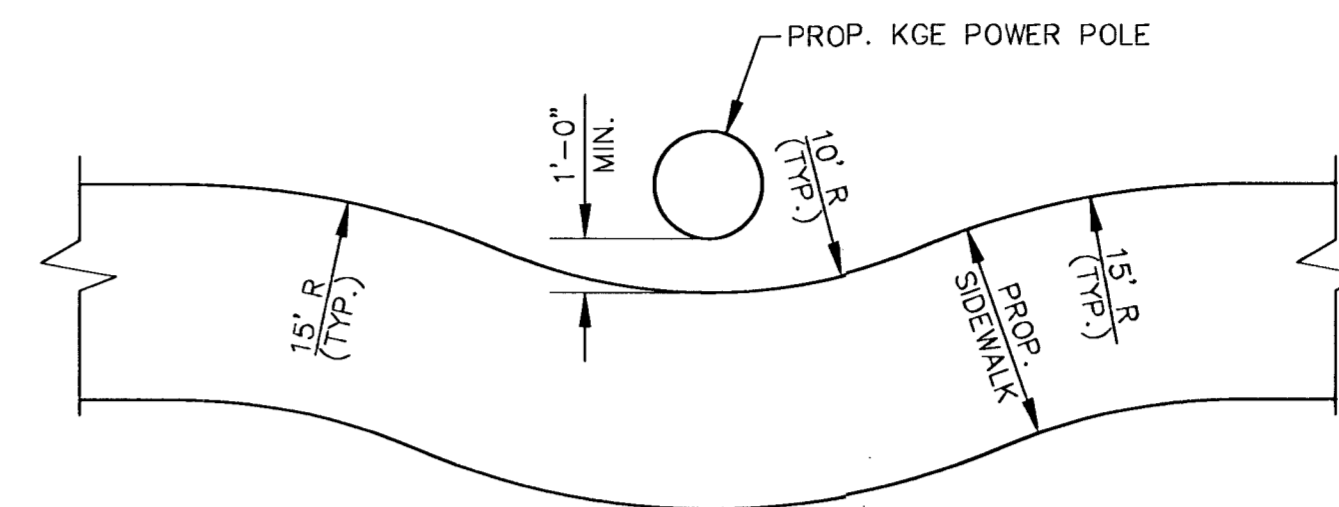
VALVE BOX ADJUSTMENT DETAIL

SEE SHT. 20 FOR LOCATION OF VALVE BOXES TO BE ADJUSTED.
(KGS-GAS WILL SUPPLY MATERIALS AS REQUIRED FOR ALL GAS VALVE BOX ADJUSTMENTS.)

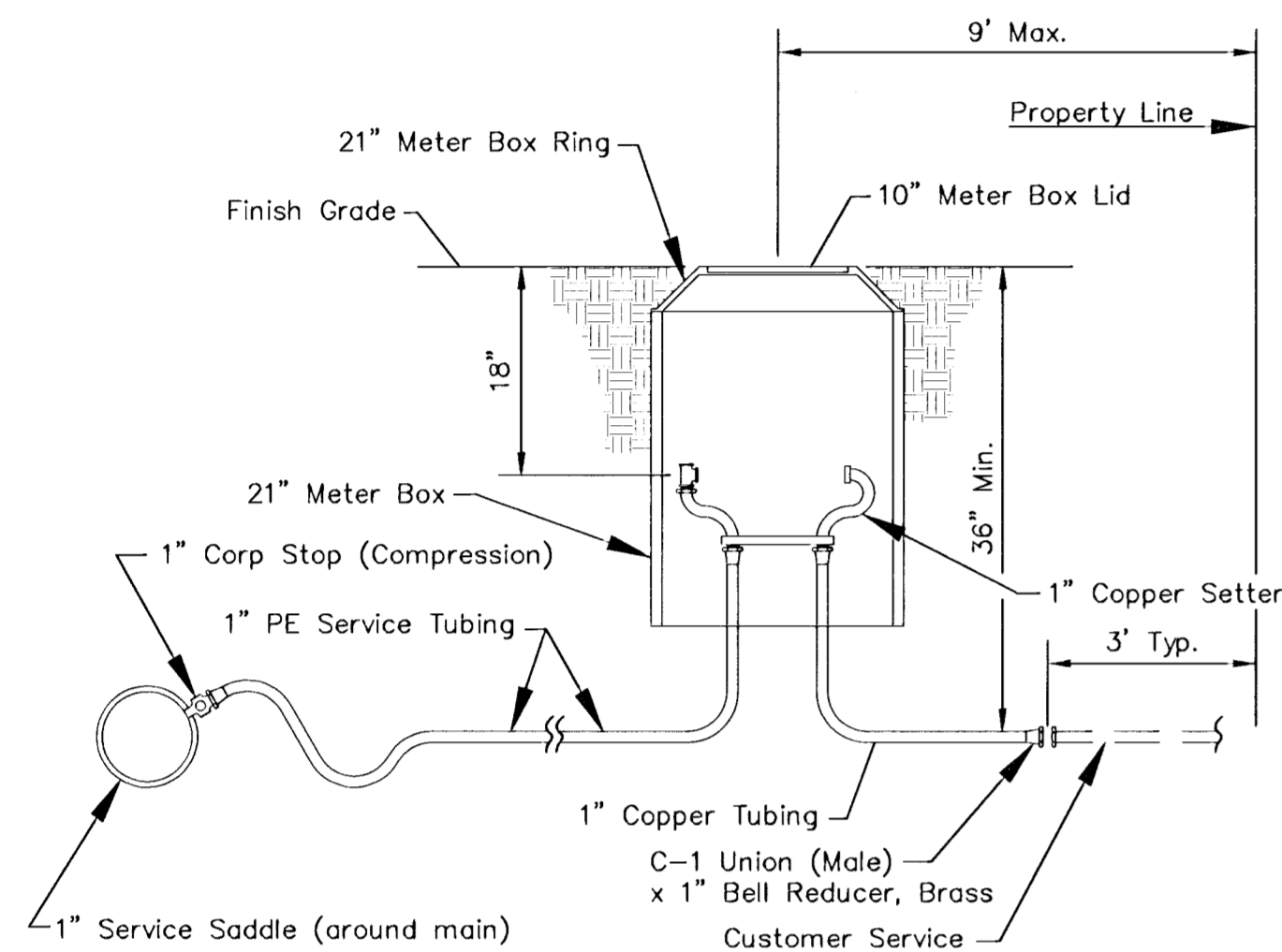


FLOWABLE FILL DETAIL
(FOR STORM SEWER PIPE)

FLOWABLE FILL DETAIL
(FOR WATER LINE)

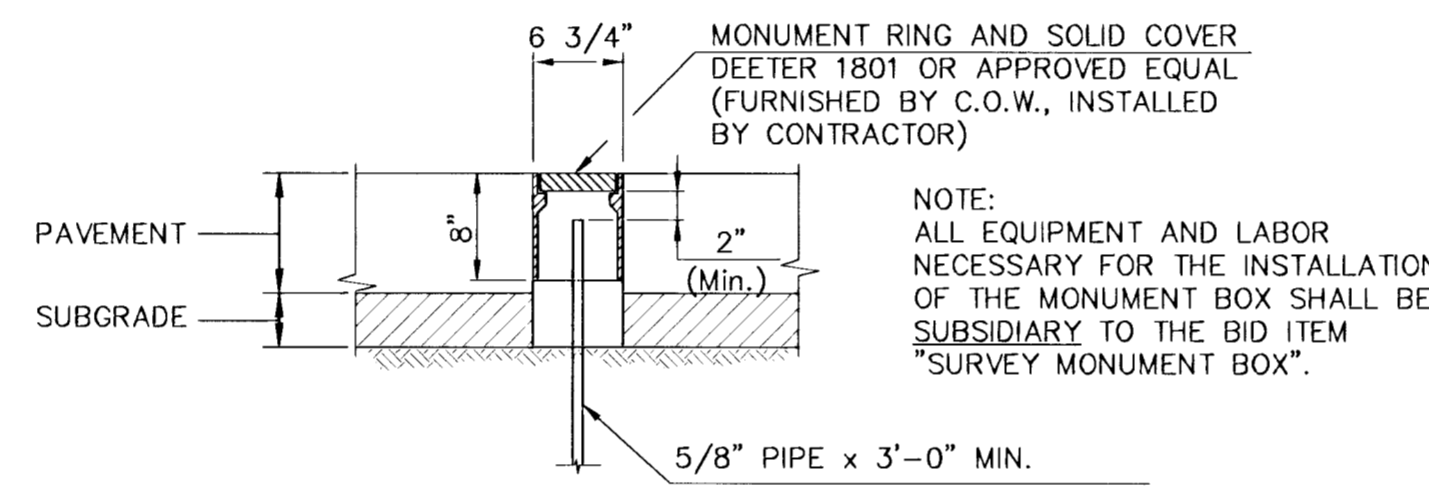


SIDEWALK DETAIL



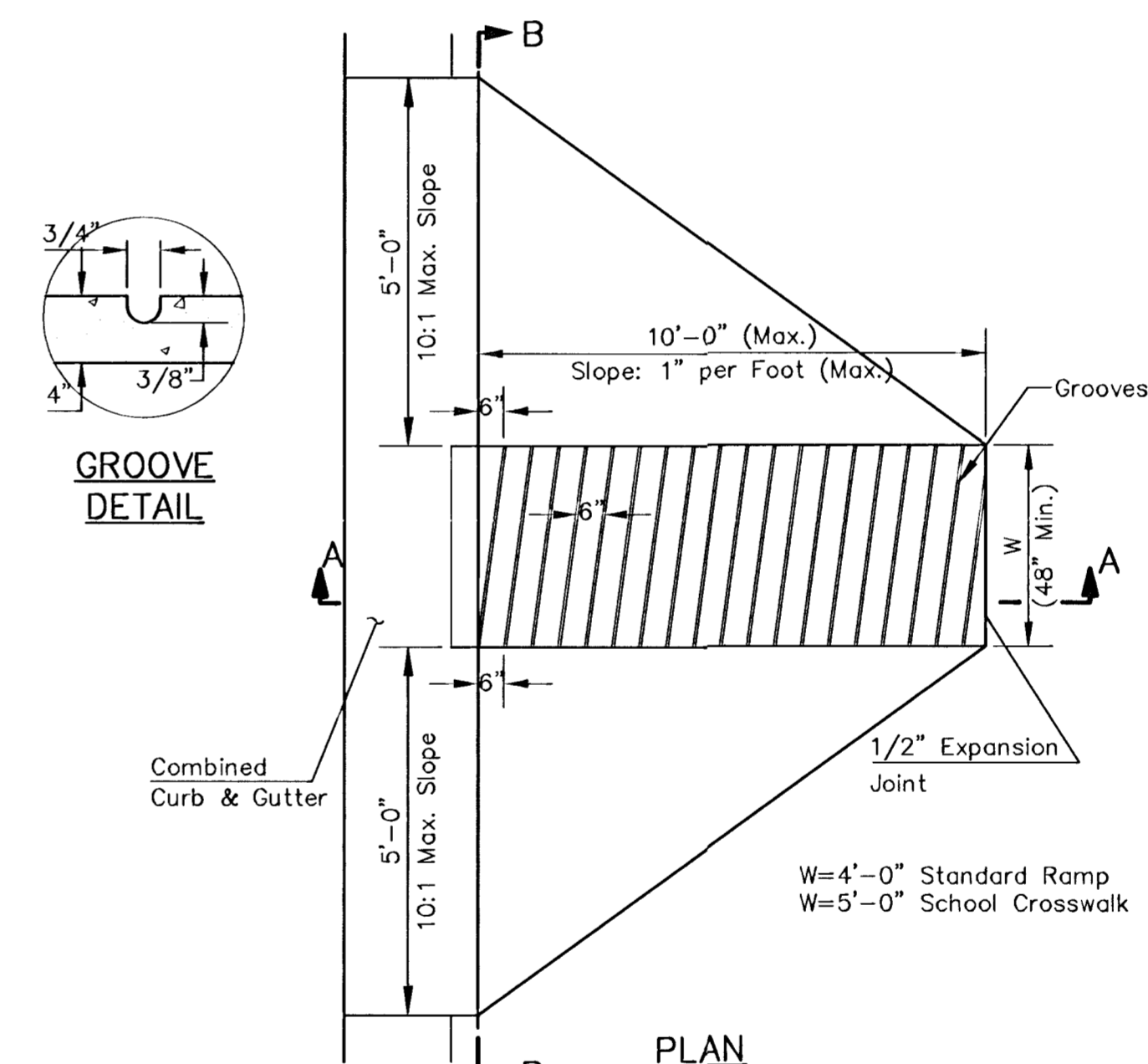
TYPICAL METER SETTING

Bore hole under paving shall be a maximum of 2" in Diameter and a minimum of 36" below top of paving.



SURVEY MONUMENT BOX DETAIL

NOTE: ALL EQUIPMENT AND LABOR NECESSARY FOR THE INSTALLATION OF THE MONUMENT BOX SHALL BE SUBSIDIARY TO THE BID ITEM "SURVEY MONUMENT BOX".



GROOVE DETAIL

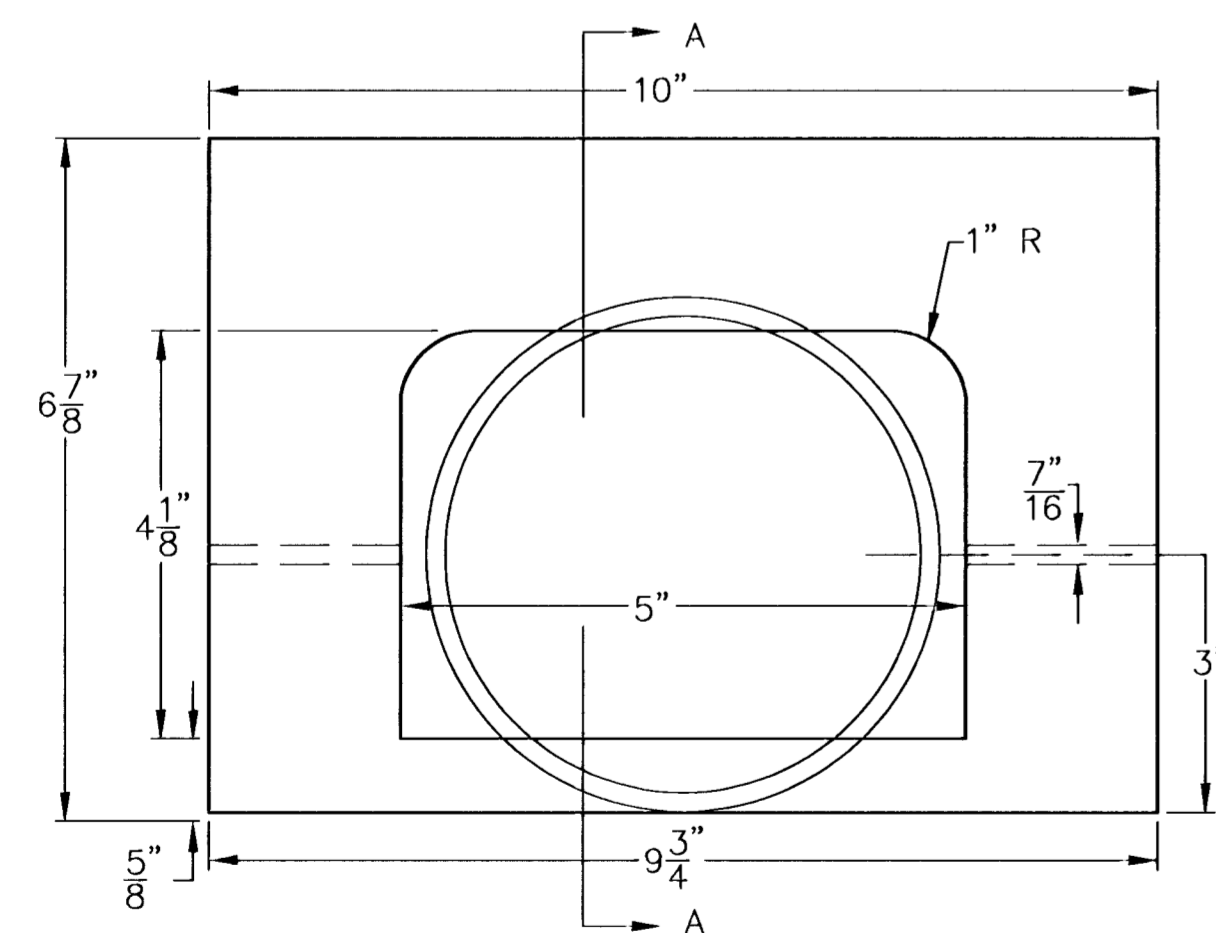
PLAN

SECTION A-A

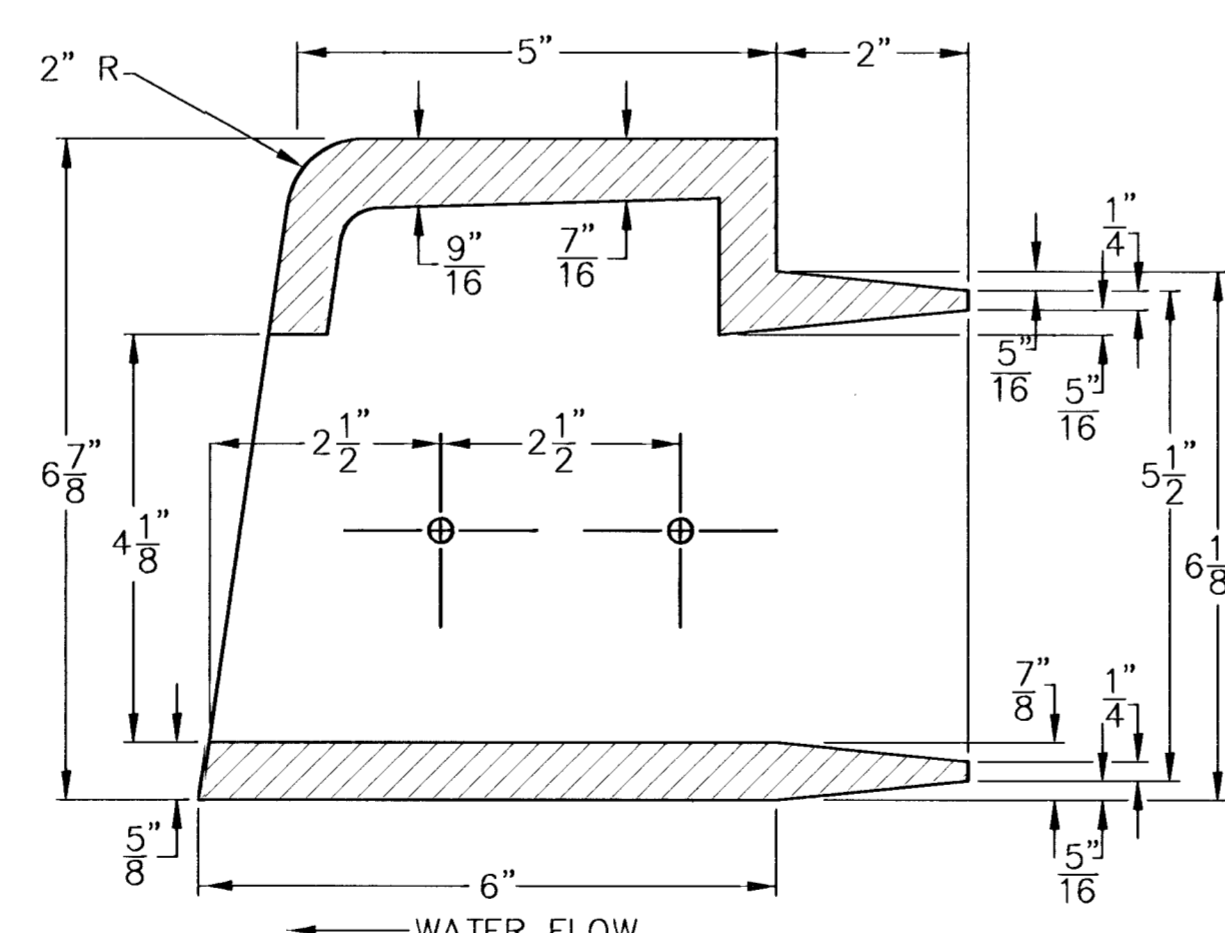
SECTION B-B

NOTE: THE COST OF ALL WORK INDICATED ON THIS DETAIL SHALL BE INCLUDED IN THE UNIT PRICE BID FOR SIDEWALK RAMP.

STANDARD SIDEWALK RAMP



CURB CASTING DETAIL
@ FACE OF CURB (#2449-6)



CURB CASTING SECTION A-A
(#2449-6)

NOTE: INSTALL CURB CASTING, DEETER #2449-8 OR APPROVED EQUAL, AT CURB & GUTTER. CASTING UNIT SHALL BE ANCHORED WITH GALVANIZED 3/8" X 2 1/2" BOLTS. CASTING SHALL BE PAINTED WITH TWO COATS OF GREY PAINT, APPLIED IN ACCORDANCE WITH MANUFACTURERS RECOMMENDATION.

DESIGNED BY:		CHECKED BY:	
DRAWN BY:		DATE: MAY 1, 2000	
KANSAS DEPARTMENT OF TRANSPORTATION		SOUTH SENECA STREET	
PROJECT NO. 472-83084		SEDGWICK CO.	
MID-KANSAS ENGINEERING CONSULTANTS, INC.		WICHITA, KANSAS	
SHEET 19		OF 58	