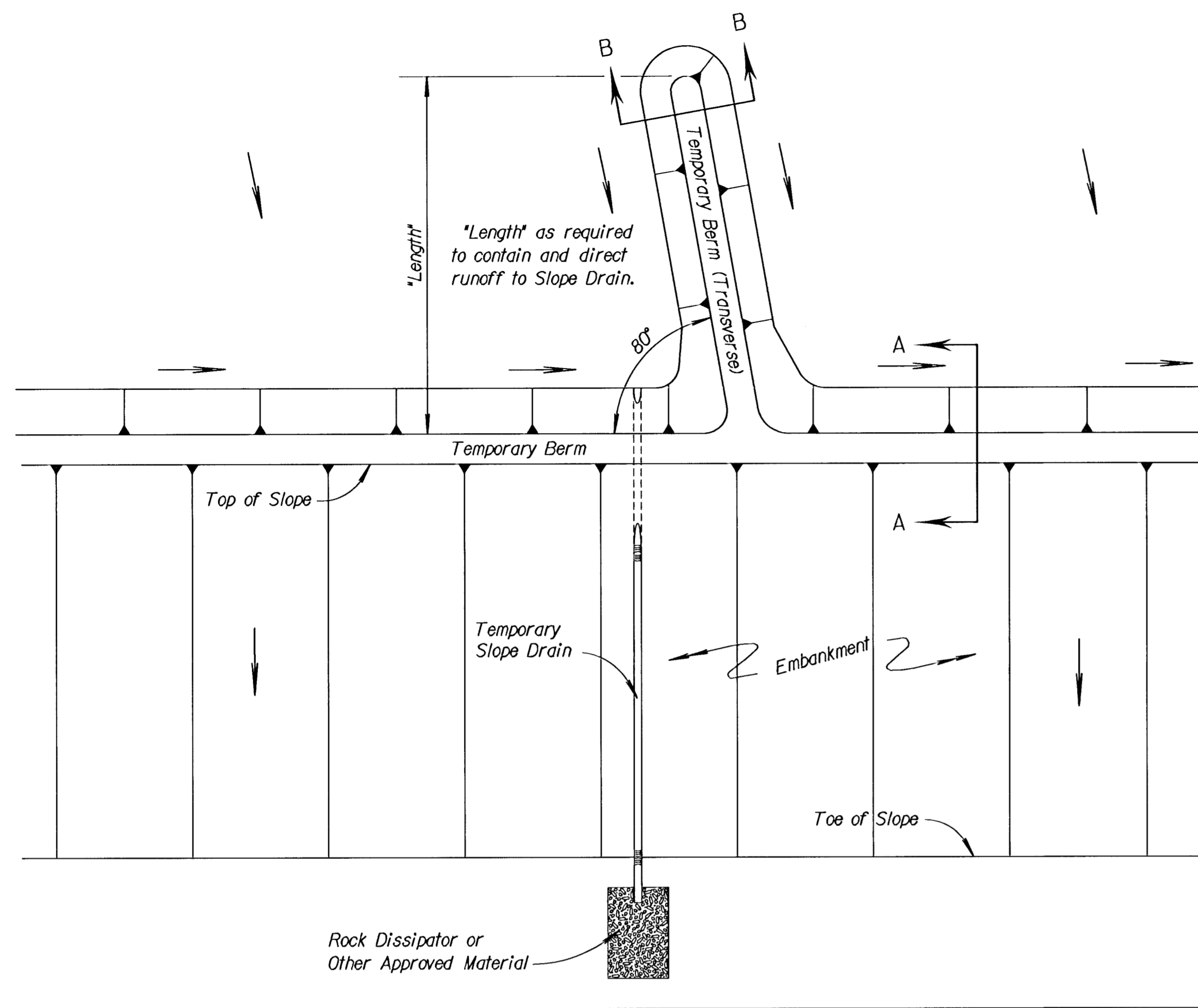
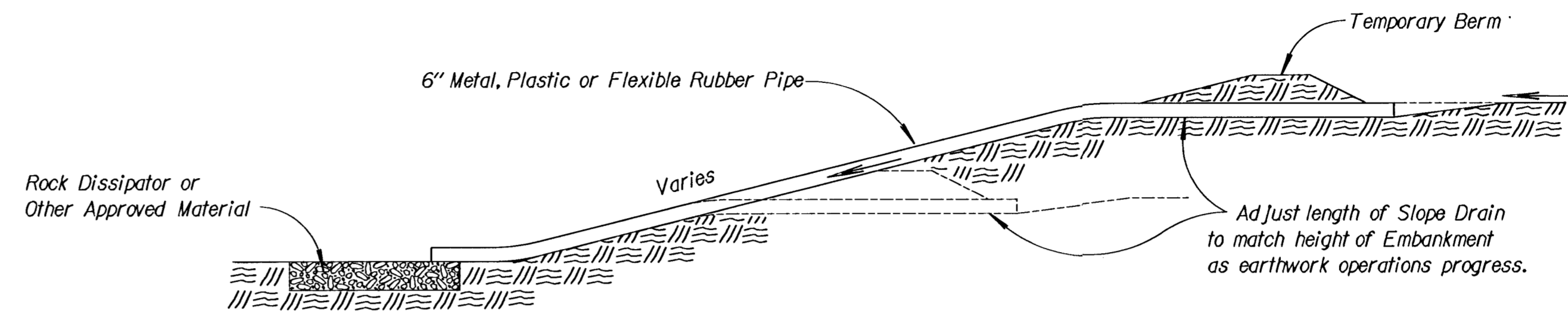


FHWA REGION NO.	STATE	PROJECT NO.	YEAR	SHEET NO.	TOTAL SHEETS
7	KANSAS	472-83084	2000	24	58

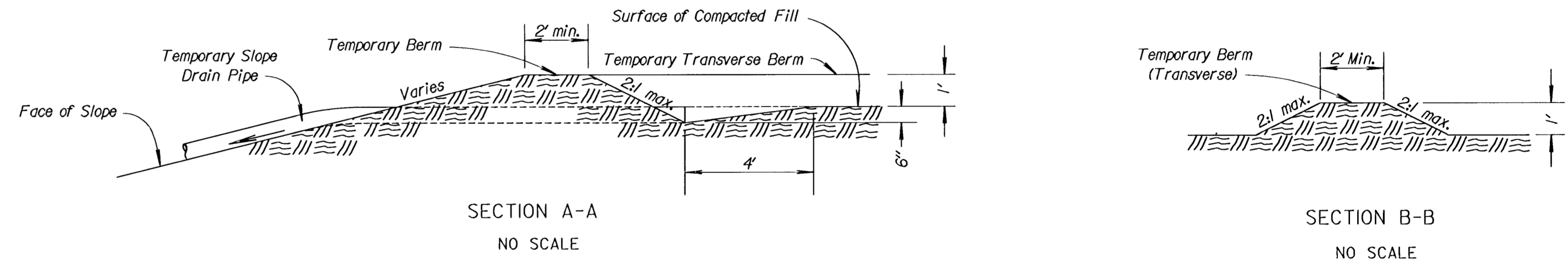
- NOTES:
- 1) Temporary Slope Drain and Temporary Berm may be used on either project foreslopes or project backslopes.
 - 2) Discharge of Slope Drains shall be into stabilized ditch or area, or into Sediment Basin.
 - 3) Pipe shall be secured in place as approved by Engineer.



TYPICAL PLAN VIEW OF TEMPORARY BERM AND TEMPORARY SLOPE DRAIN
NO SCALE



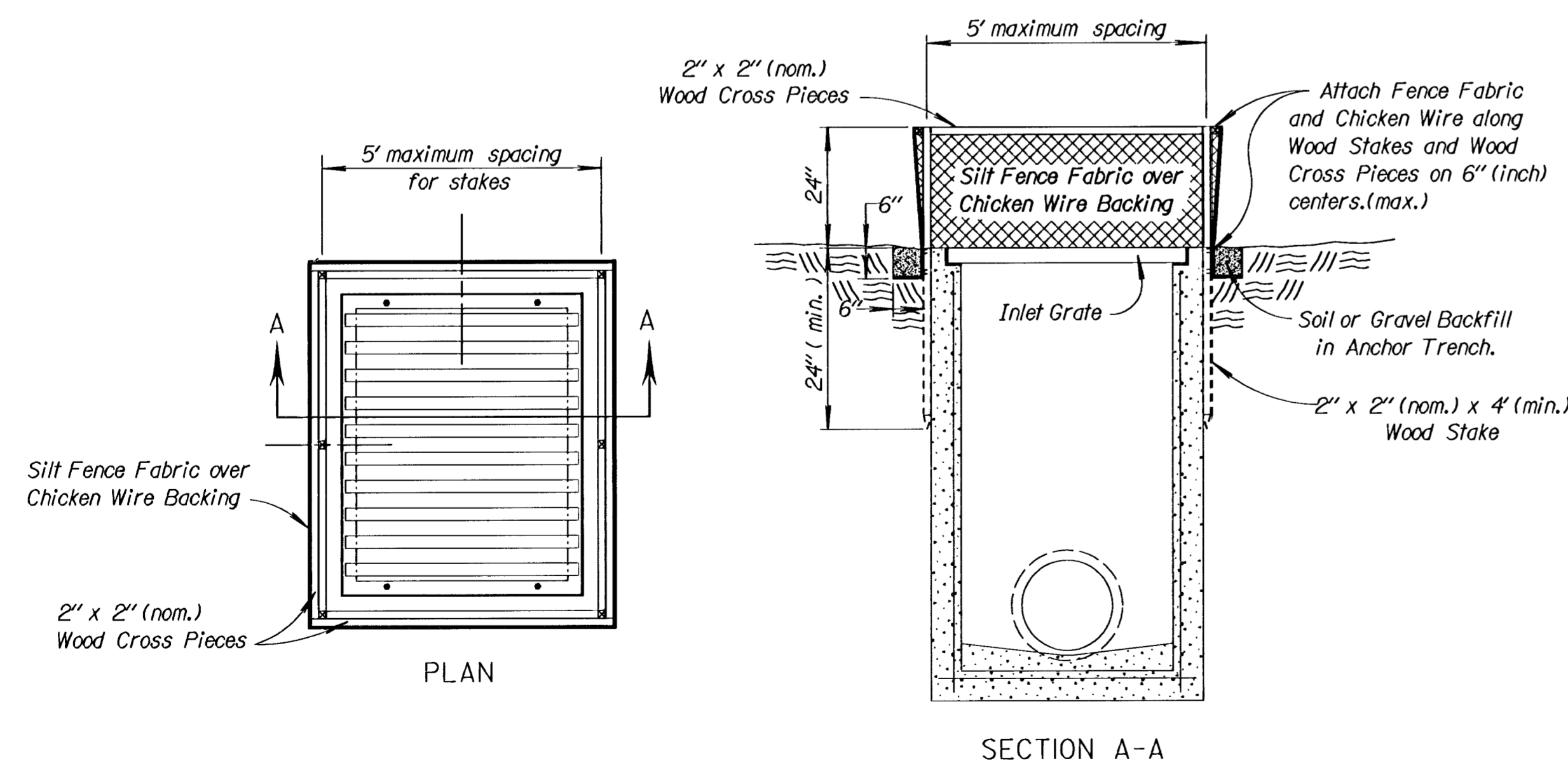
TYPICAL PROFILE OF TEMPORARY SLOPE DRAIN
NO SCALE



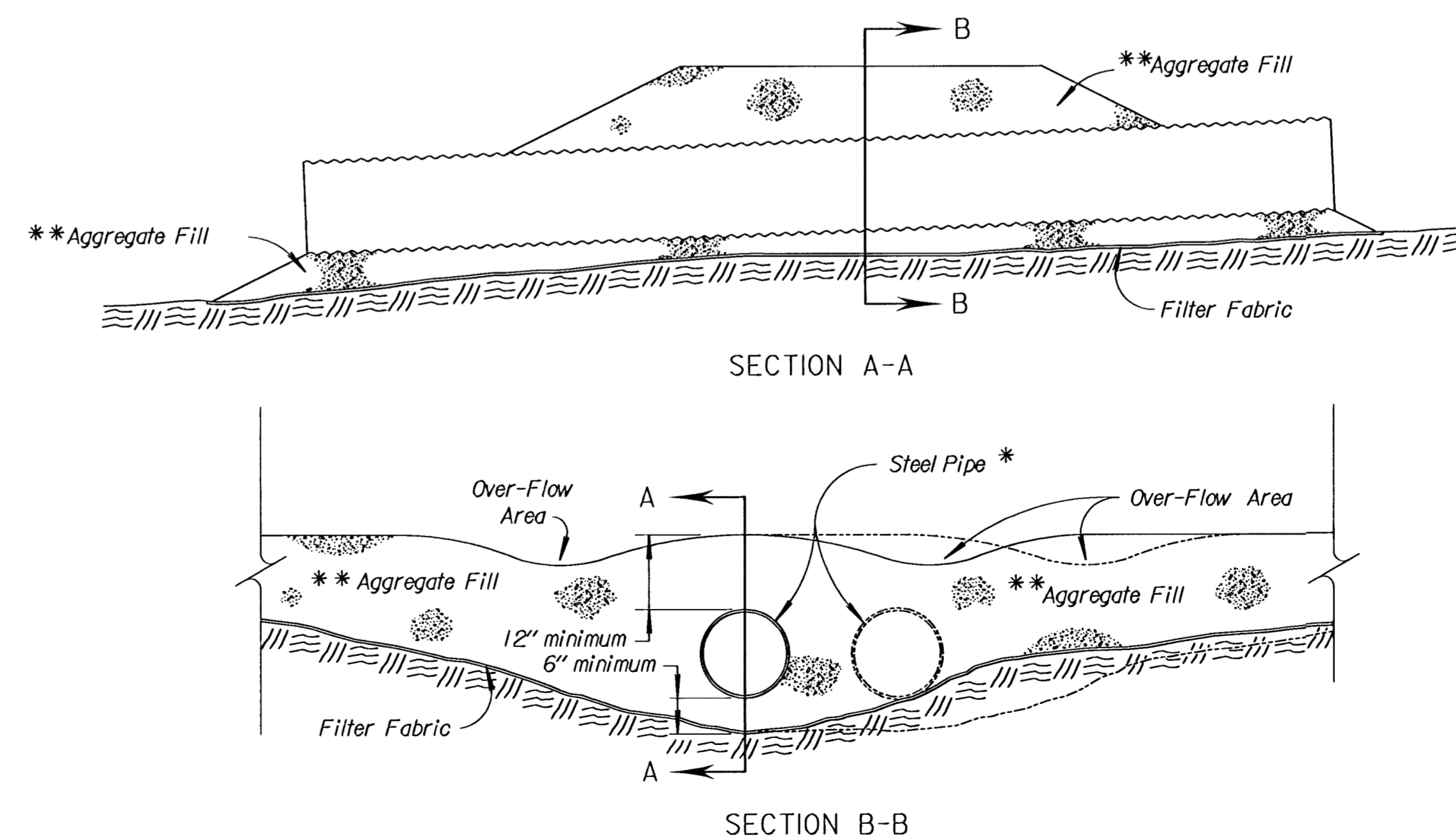
SECTION A-A
NO SCALE

SECTION B-B
NO SCALE

TYPICAL PROFILE OF TEMPORARY BERM
NO SCALE



TEMPORARY INLET SEDIMENT BARRIER
NO SCALE



TEMPORARY STREAM CROSSING
NO SCALE

- * NOTE:
Quantity, length and diameter of steel pipe to be determined by design flow calculations.
- ** NOTE:
Alternate fill material may be used upon the approval of the Bureau of Construction and Maintenance, Field Construction Engineer.

NO.	DATE	REVISIONS	BY	APP'D
3				
2				
1	3/13/97	Revised Temp. Stream Crossing	WCL	RDR

KANSAS DEPARTMENT OF TRANSPORTATION
TEMPORARY PROJECT WATER POLLUTION CONTROL
TEMPORARY SLOPE DRAIN, STREAM CROSSING, INLET SEDIMENT BARRIER
LA852C

DESIGNED	WCL	DEL. QUANTITIES	TRACED	DEL
DESIGN CK.	RDR	WCL	QUAN. CK.	TRACE CK.

F.H.W.A. APPROVAL 4/02/97 APP'D Richard D. Ross

Drawn By: \$\$\$SERNAME\$\$\$
DGN File: \$\$\$DGNFILE\$\$\$
Plotted: \$\$\$STRTIME\$\$\$ View= PLOT 1