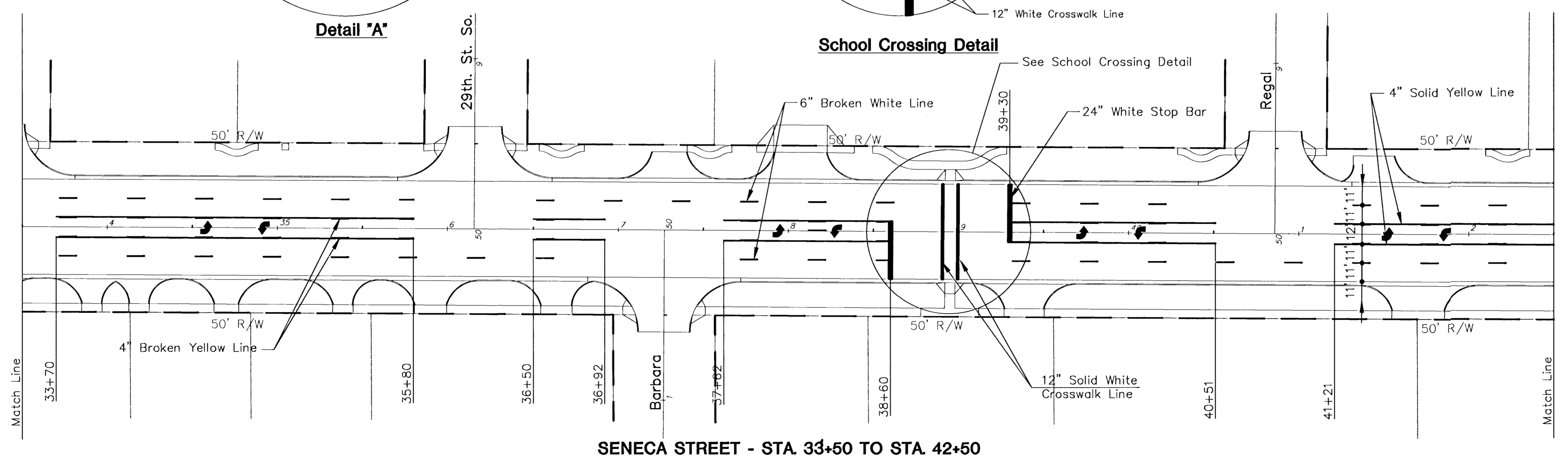
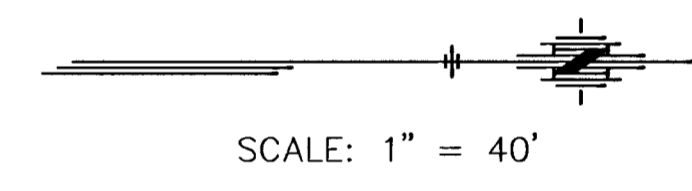
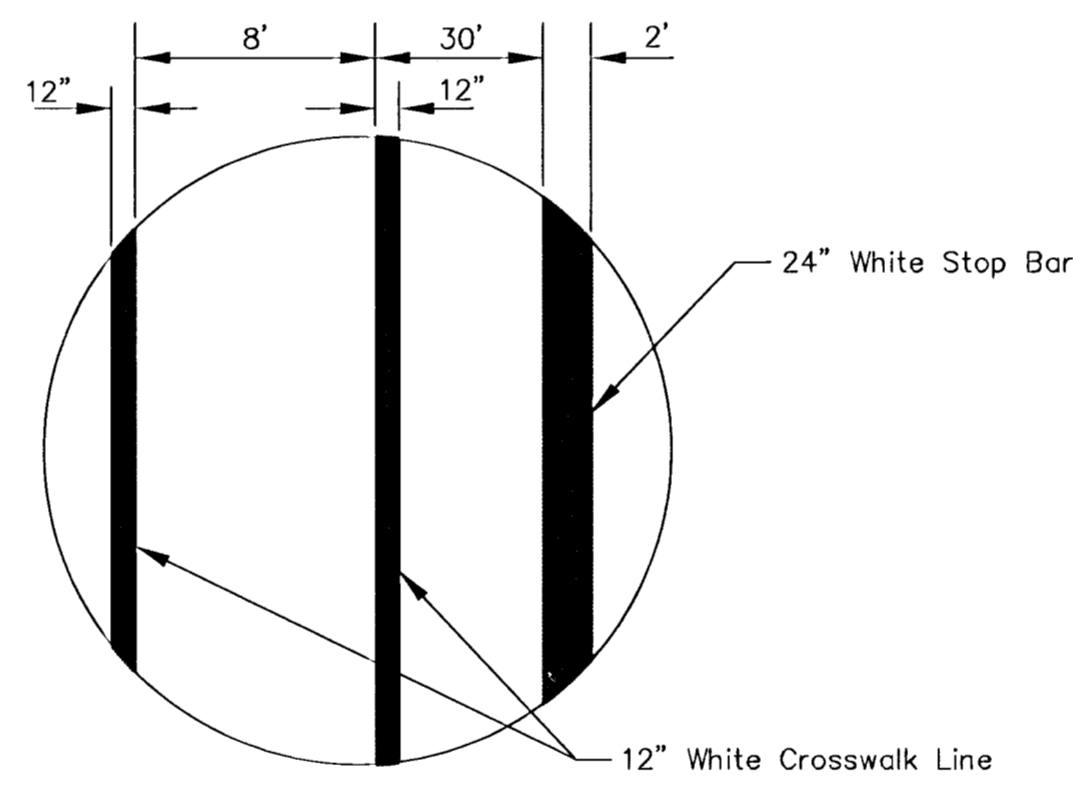
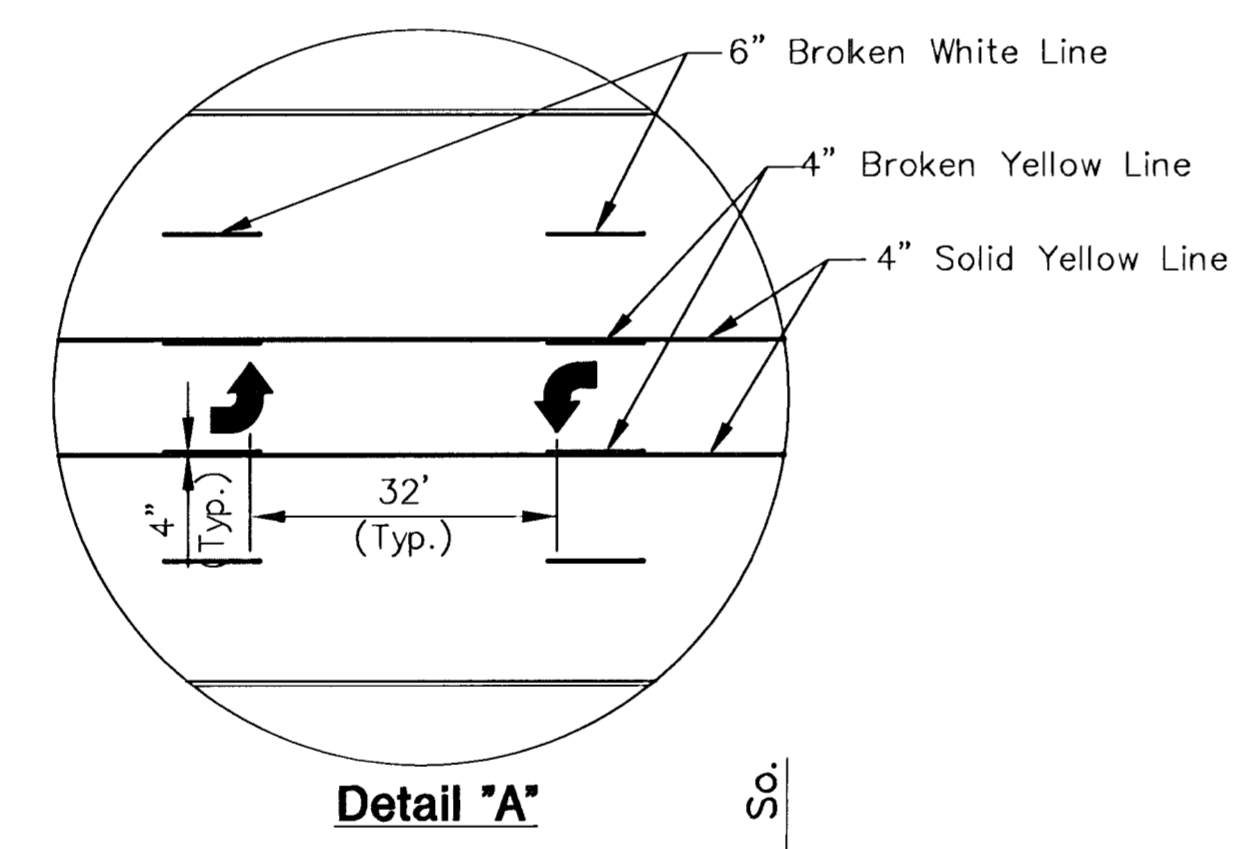
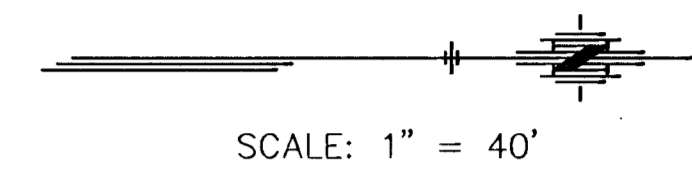
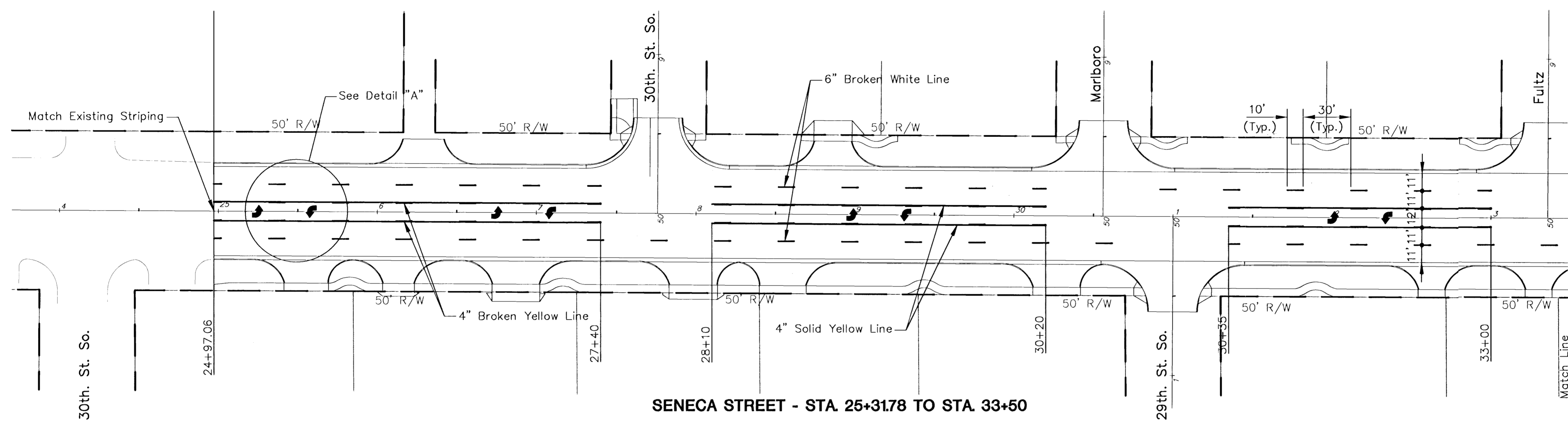


FHWA REG NO.	STATE	PROJECT NO.	YEAR	SHEET NO.	SHEETS
7	KANSAS	472-83084	2000	32	58



KANSAS DEPARTMENT OF TRANSPORTATION

**SENECA STREET
PAVEMENT MARKING PLAN**

PROJECT NO. 472-83084 SEDGWICK CO.
 MID-KANSAS ENGINEERING CONSULTANTS, INC.
 WICHITA, KANSAS

DESIGNED BY: DCH	CHECKED BY: DCH
DRAWN BY: WNJ	DATE: MAY 1, 2000 SHEET 32 OF 58

H:\ACTIV\SENECA\94005-2\SR\PIPE\94052\PT1.DWG Mon May 01 16:35:19 2000