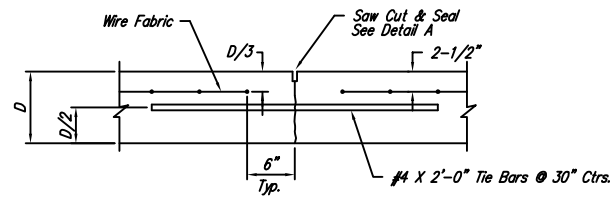
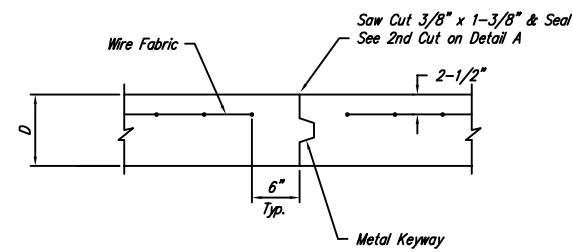


EXPANSION JOINT

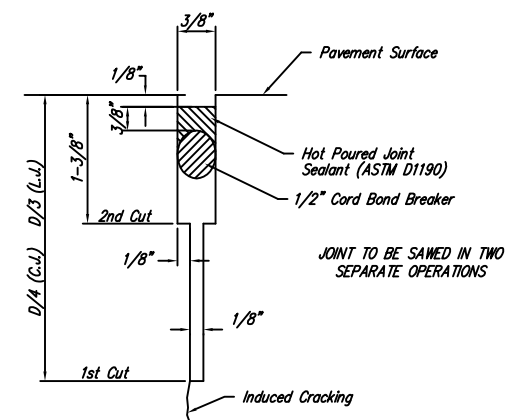
NOTE: Extra Thickness to be Subsidiary to Price of Square Yards Pavement



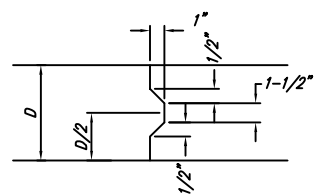
LONGITUDINAL JOINT DETAIL (L.J.)



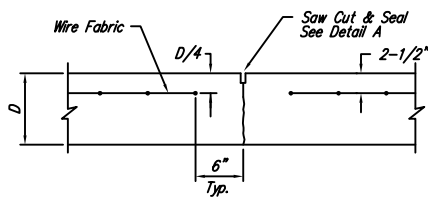
OPTIONAL CONTRACTION JOINT



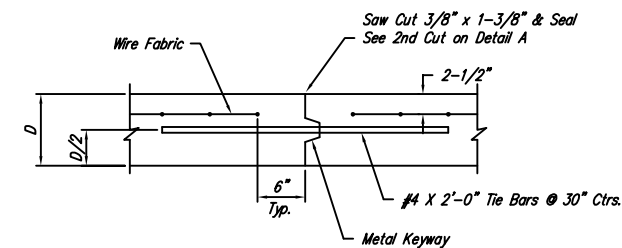
SAW JOINT DETAIL



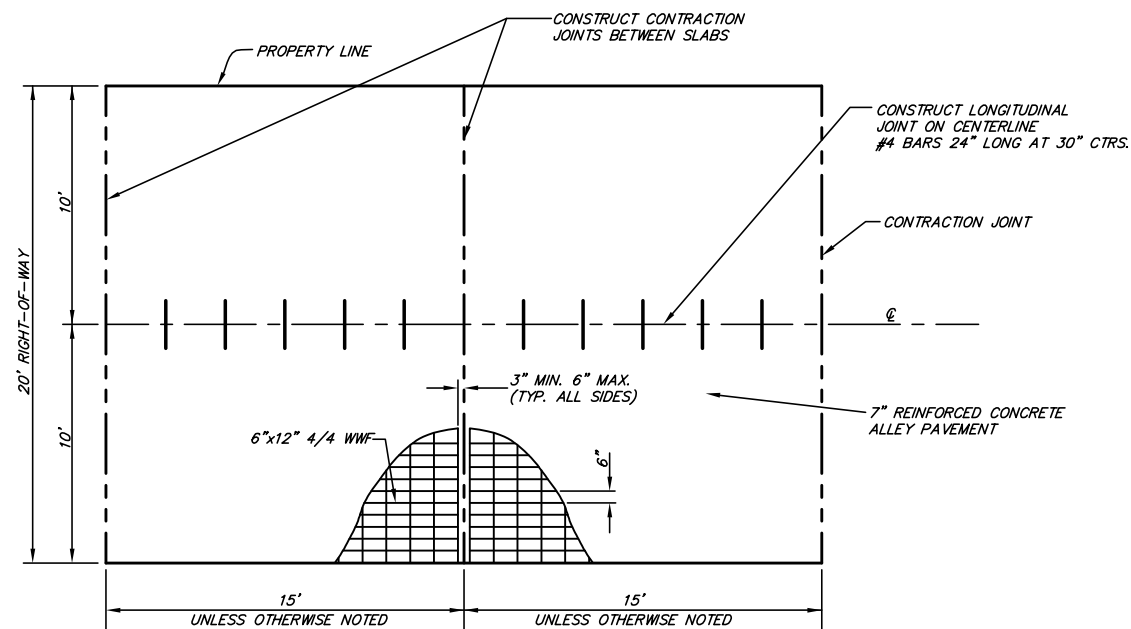
KEYWAY DETAIL



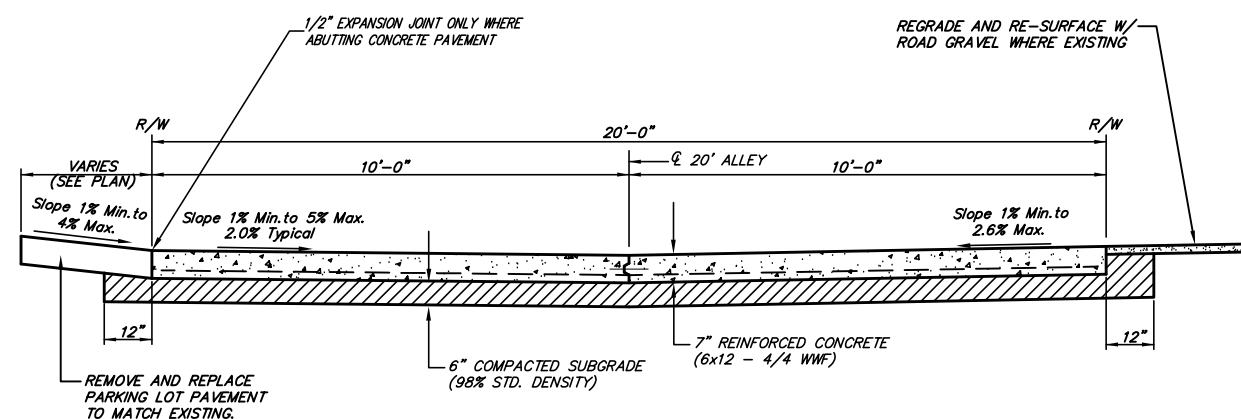
CONTRACTION JOINT DETAIL (C.J.)



OPTIONAL LONGITUDINAL JOINT DETAIL (L.J.)



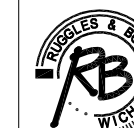
SLAB REINFORCEMENT DETAIL



TYPICAL SECTION

NOT TO SCALE.

PAVEMENT DETAILS
ALLEY BETWEEN ELIZABETH & MARTINSON
WICHITA, KANSAS



Ruggles & Bohm, P.A.
Engineering, Surveying, Land Planning
924 North Main (316) 264-8008
Wichita, Kansas 67203 (316) 264-4621 fax
www.rbkansas.com E-mail: info@rbkansas.com

DRAWING FILE: Eng. Base [Details] PROJECT NUMBER: 472-83388 DATE: May 17, 2004

DESIGN: TCR
DRAWN: EJB
REVIEW: [blank]
UTILITY: [blank]
SHEET: 3 OF 4